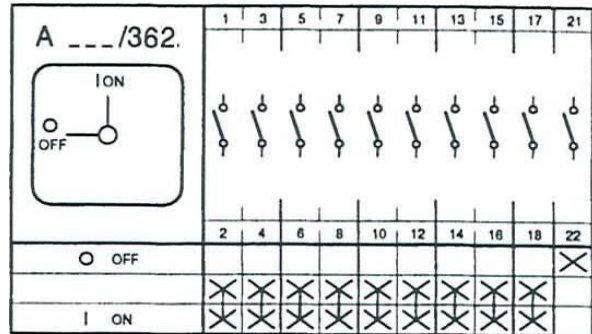


DATENBLATT/TECHNICAL DATA

Type : A 151/362.I2H1851
Order No: 0651800632

ON-OFF Switch

8 – pole + 1NC+ 1NO
switching angle 90°
Plate 0 OFF – 1 ON

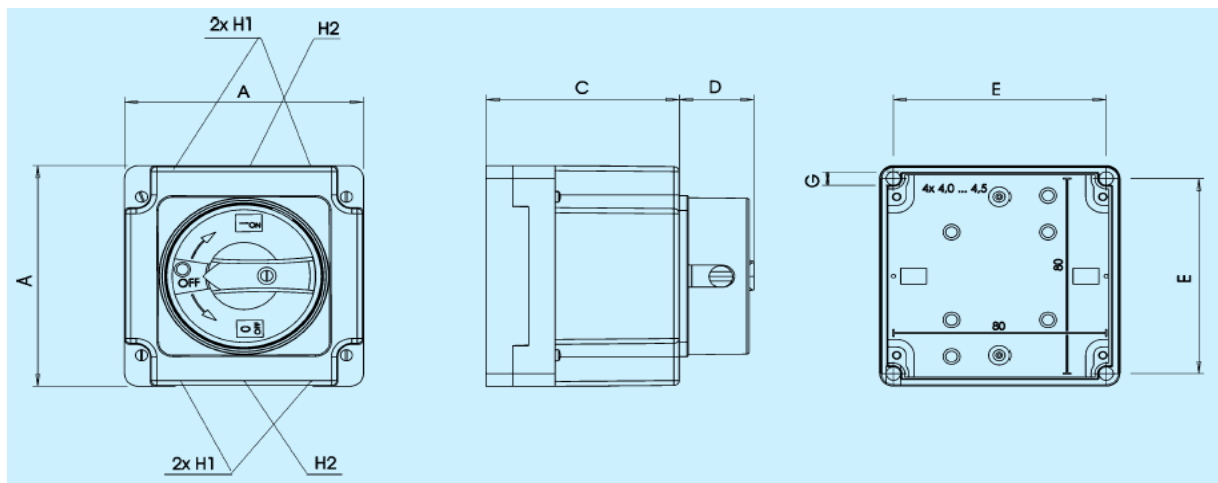


Insulated enclosure I2H1851

with handle/frontplate Lockable handle for 3 padlocks
handle black / plate grey
dimensions: A = 115 mm, C = 125 mm
wall mounting : E = 100 mm
punch-out for metric cable glands
H1/ 1x M25, M32, H2/ 1x M16
UV-resistant weatherproof plastic , Polycarbonat Luran
degree of protection IP 65

Electrical Data Series 151:

Rated uninterrupted current I_{th} = 32 A
Rated operational current I_e AC21 A = 25 A
Braking capacity AC23B(A) / 400 V = 11 kW
Braking capacity AC3 / 400 V = 7,5 kW
Isolating characteristic up to 500 V
Single – phase motor
1 x 230 V = 3 kW
1 x 400 V = 4 kW



Bau- reihe	max. Anz. Kontakte	Abmessungen (mm)							Gehäuse- typ	
		A	C	D	E	F ⁽²⁾	G	H1		H2
151	10	115	125	38	100	60-67	Ø 6,3	M32/M25	M16	I2-D-HL4