

S123, Technical specification

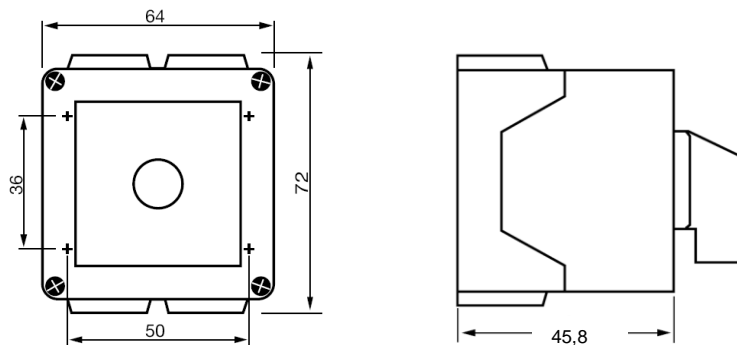
Manufacturer: Kraus & Naimer
 Supplier: Skandinaviska Solenoid AB
 Type: CA10A311PN1
 Rated current: 20A (AC21A Resistive load)
 Connedctions: 2x2,5 mm²
 Protection class: IP42

Rated Operational Voltage Ue		690V ¹⁾	
Rated Insulation Voltage Ui		690V ¹⁾	
Rated Thermal Current Iu/Ith		20A ²⁾	
Breaking Capacity	220V-	150A ²⁾	
	240V:		
	380V-	150A ²⁾	
	440V:		
	660V-	80A ²⁾	
	690V:		
Rated Operational Current Ie			
	AC-15 Switching of control devices, contactors, valves etc.	220V-	5A ²⁾
		240V:	
		380V-	4A ²⁾
		440V:	
	AC-20A No-load operation		20A ²⁾
AC-21A Switching of resistive loads, including moderate overloads			
	For switching of power >1kW	20A ²⁾	
AC-22A Switching of combined resistive or low inductive loads including moderate overloads	220V-	20A ²⁾	
	500V:		

1)...IEC 60947-3, EN 60947-3, VDE 0660 part 107 - Valid for lines with grounded common neutral termination, overvoltage category III, Other values on request.

2)...IEC 60947-3, EN 60947-3, VDE 0660 part 107

Casing: PN1 plastic with a knob on the front



Program-no.A311, 2 sections
 Frontlabel-no F001

