

## TG Roof curb

The product is manufactured from galvanised sheet steel, insulated with rockwool and a perforated inner sheet. The product is prepared with cable glands and a integrated cable hose for leading the electric cables safely on the inside of the roof curb.

Mounting brackets are enclosed to fit the product to the pitched roof.



### Note:

Verify that ceiling joists have sufficient bearing capacity to hold the roof fan and the roof curb.



### Note:

Obey local laws and regulations for installation of the roof curb on the roof.

## To install the mounting bracket

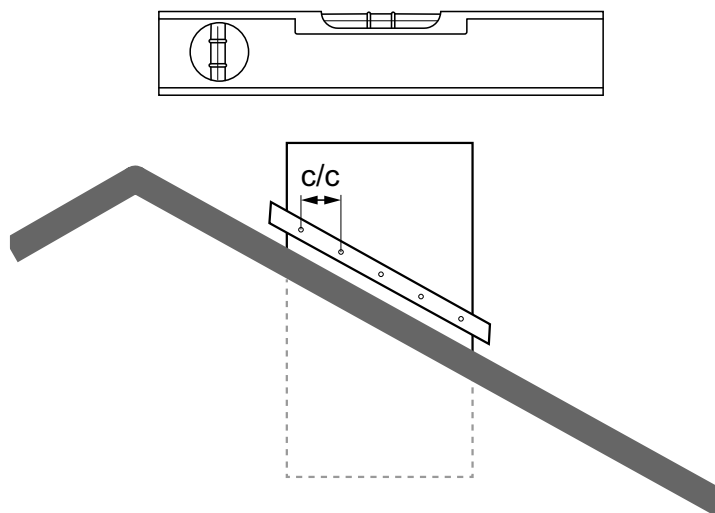


Fig. 1

1. Attach the mounting brackets on each side of the roof curb.
2. Start with one screw in the middle of the mounting bracket. Use sheet metal screws,  $\varnothing 6,3$  mm.
3. Use a spirit level to make sure the roof curb is horizontal.
4. Attach the mounting brackets with further screws. Max c/c distance 200 mm.

Installation example

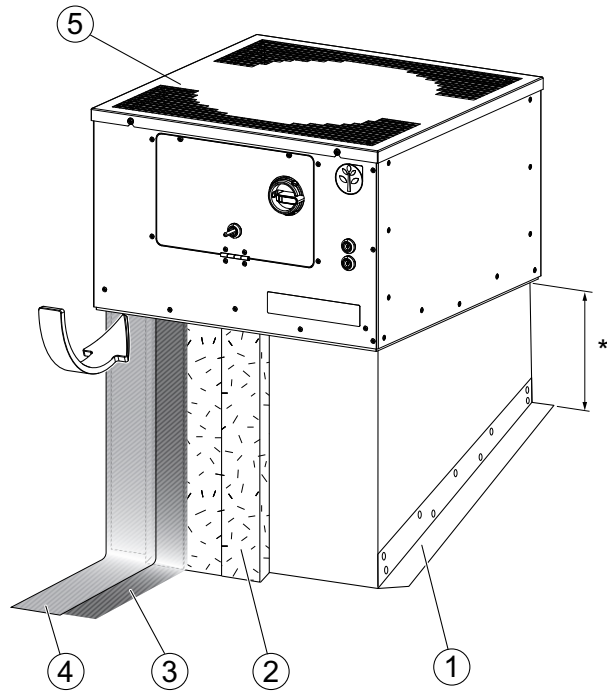


Fig. 2

1	2	3	4	5
Brackets for mounting	Cover with plywood or similar	Roofing felt	Sheet metal covering	Roof fan

\* 300–500 mm minimum distance between the roof and the top edge of the roof curb (depending on amount of snow).

## Dimensions

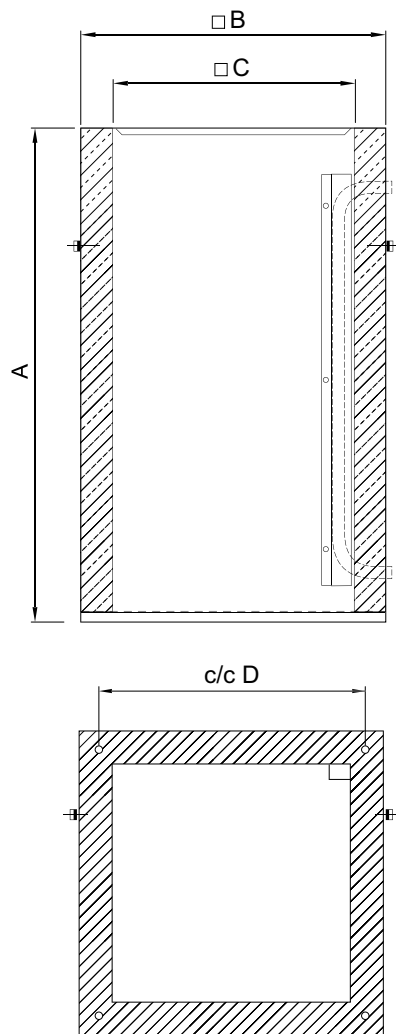


Fig. 3

### 50 mm insulation

TG	Art no	A	B	C	c/c D
300-800	5924	800	293	183	245
400-800	1718	800	393	330	330
1140-800	5085	800	1094	978	1040
540-800	1727	800	494	378	450
640-800	1729	800	594	478	535
540-1230	1726	1230	494	378	450
640-1230	1728	1230	594	478	535
740-1200	5088	1200	694	578	655
940-1200	5090	1200	894	778	840

Hole dimension in roof B + 20 mm

### 100 mm insulation

TG	Art no	A	B	C	c/c D
400-800	1150	800	393	230	330
540-800	5086	800	494	278	450
640-800	5087	800	594	378	535
540-1230	1153	1230	494	278	450
640-1230	1159	1230	594	378	535
740-1230	5089	1230	694	478	655
940-1200	5091	1200	894	678	840

Hole dimension in roof B + 20 mm