

INDOOR UNIT BRANCH PIPE INSTALLATION MANUAL

MDV10IU-014AW
202000171566

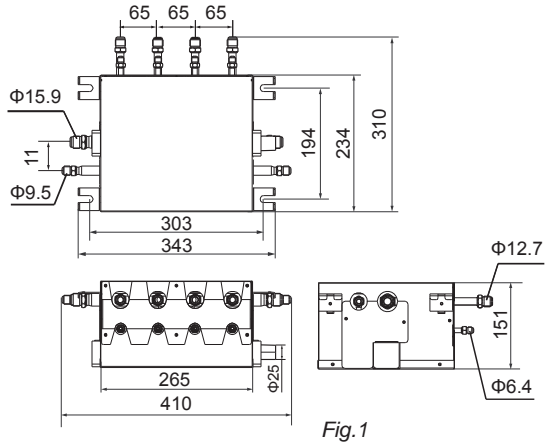
Thank you very much for purchasing our air conditioner, Before using your air conditioner, please read this manual carefully and keep it for future reference.

1.ACCESSORIES

Table.1

NAME	Adaptor		Cone sheets		Copper screw		Installation manual
SHAPE							This manual
QTY	2	2	2	2	2	2	1
REMARKS	Φ6.4 → Φ9.5	Φ12.7 → Φ15.9	use for sealing	use for sealing	Φ9.5	Φ15.9	—

2.OUTLINE DIMENSIONAL FIGURE



3.PIPING DIFFERENCE INSTRUCTION

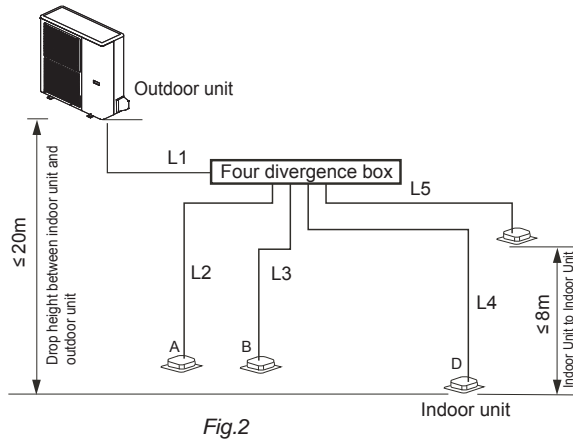
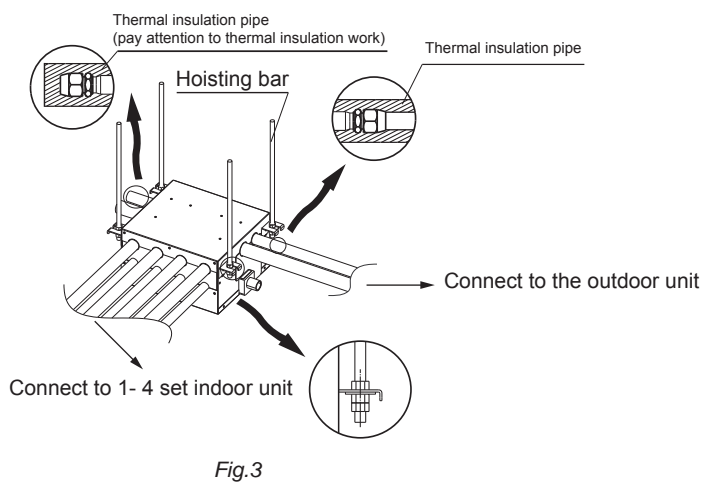


Table.2

Pipe Length	Permitted value		Piping
	Total Pipe Length (Actual)	≤100m	L1+L2+L3+L4+L5
Maximum Piping (L)	≤45m	L1+L2, L1+L3, L1+L4, L1+L5	
Pipe Length (from divergence box to indoor unit pipe)	≤20m	L2, L3, L4, L5 ≤20m	
Drop Height	Indoor Unit-Outdoor Unit Drop Height	Outdoor Unit Up	≤20m
		Outdoor Unit Down	≤20m
	Indoor Unit to Indoor Unit Drop Height		≤8m

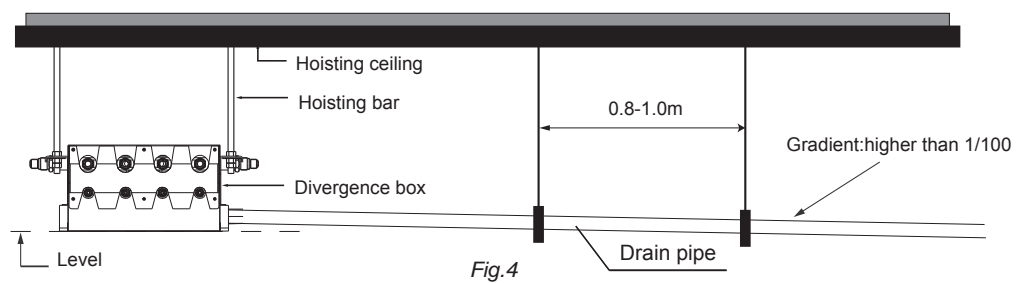
- Model limitation :Indoor unit capacity≤7100W
- The divergence box should be placed between the indoor and outdoor units

4.THE WHOLE INSTALLATION INSTRUCTION



5.INSTALLATION PRECAUTIONS

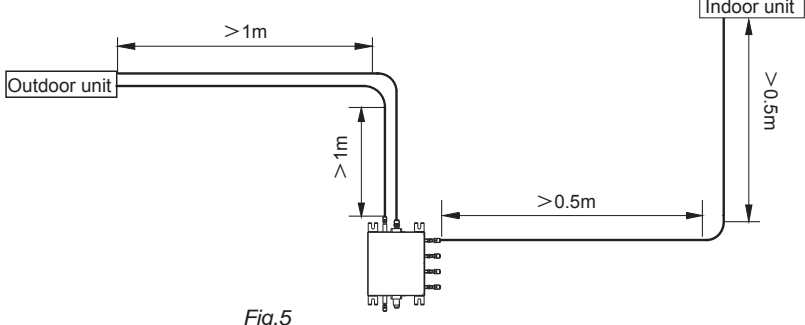
5.1 Drainpipe Installation



- Drainpipe from main body must be wrapped by insulation tube evenly, and bound by tighten band for obstructing air getting in and coagulation.
- Prevent from water backflow into unit inside during shutdown, the drain pipe shall place down side and drain water to outdoor (drain side), the gradient of the

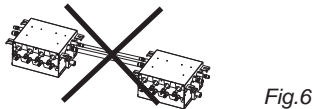
drain pipe should be higher than (1/100), without salient and water remain.
c. When connecting drainpipe, don't drag the pipe that would pull the main unit. For this, please arrange bearing points every 0.8 to 1.0 meter to avoid pipe be bended.

5.2 The MIN. length of straight pipe



- The distance between outdoor unit and the nearest of straight pipe need to be >1m.
- The distance between the divergence input terminal and the nearest turning site of straight pipe need to be >1m.
- The distance between the divergence output terminal and the nearest turning site of straight pipe need to be >0.5m.
- The distance between indoor unit and the nearest turning site of straight pipe need to be >0.5m.

5.3 Forbid connecting two divergence boxes in series



5.4.Fasten the nut

Put the connecting tubing at the proper position, wrench the nuts with hands then fasten it with a wrench. (Refer to Fig.7)
Too large torque will harm the bellmouthing and too small will cause leakage. Please determine the torque according to Table.3.

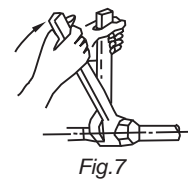


Table.3

Tubing size	Torque
Φ6.4mm	14.2~17.2 N.m (144~176 kgf.cm)
Φ9.5mm	32.7~39.9 N.m (333~407 kgf.cm)
Φ12.7mm	49.5~60.3 N.m (504~616 kgf.cm)
Φ15.9mm	61.8~75.4 N.m (630~770 kgf.cm)
Φ19.1mm	97.2~118.6 N.m (990~1210 kgf.cm)

6.The usage of adaptor

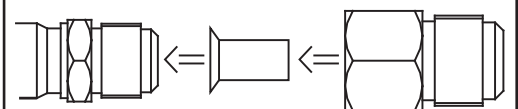


Fig.8
change samll adaptor to big one

7.The un-connected inlet pipe needs to be sealed up

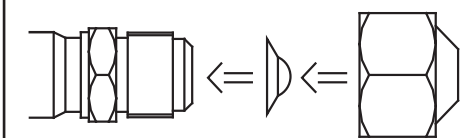


Fig.9
sealed up

8.TURN OVER THE WATER TANK

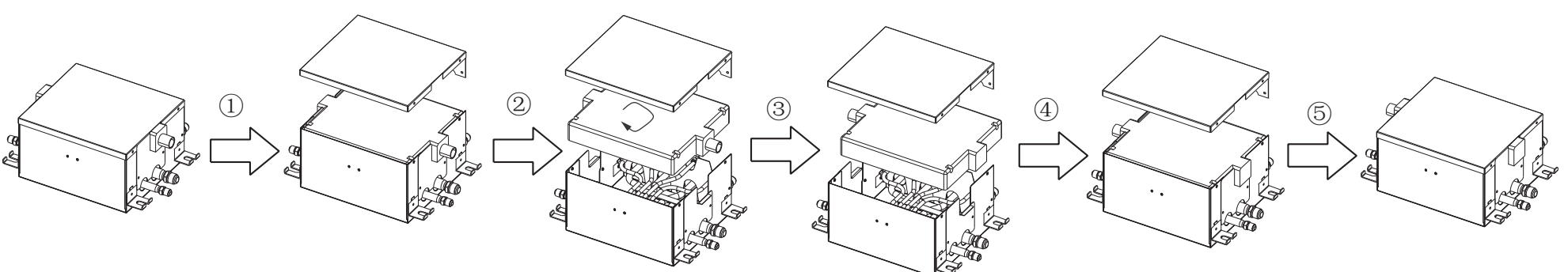


Fig.10