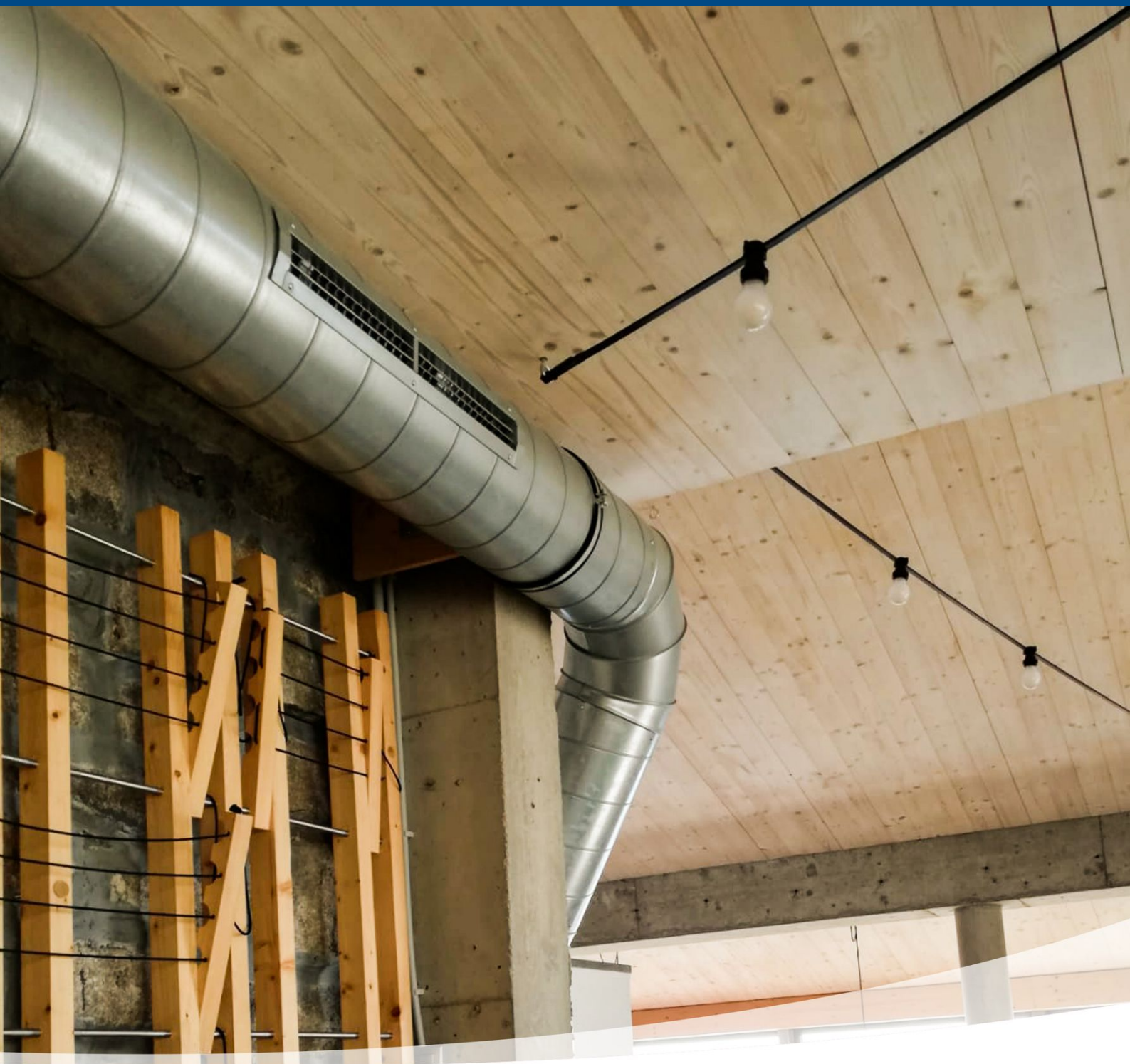


# NOVA-C

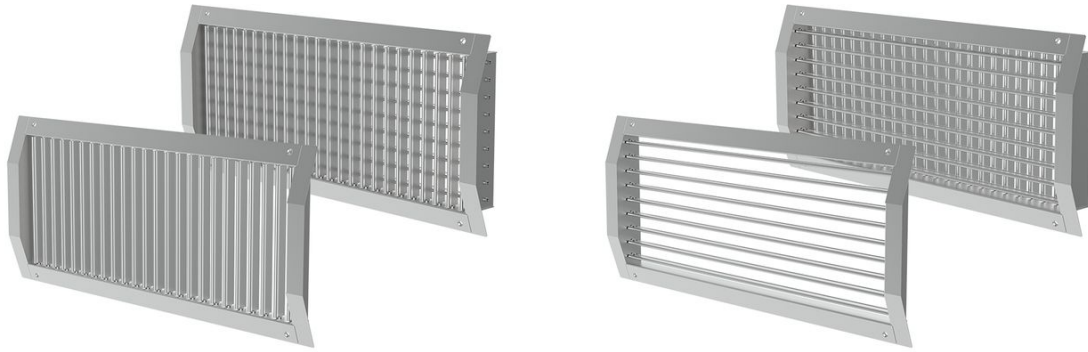
Steel Adjustable Grille for Round Ducts

Handbook



# Table of Contents

Description . . . . .	.3
Dimensions & Weights . . . . .	.4
Ordering Codes . . . . .	.6
Accessory . . . . .	.7
Quick Selection . . . . .	.11
Technical Parameters . . . . .	.18
Installation . . . . .	.19
Transport, Storage and Operation . . . . .	.20
Supplement . . . . .	.21



## Description

NOVA-C is a diffusion grille. The product is intended for air supply and air extract. The product is installed into circular ducts. The grille directs the air using its adjustable blades in a horizontal, as well as vertical orientation. For a balanced distribution of air through the entire grille it is recommended to use the R1-NOVA damper. The field of application is industrial and commercial premises.

### Highlights

- Precisely assigned grille sizes to the corresponding duct dimensions for perfect fitting
- Large freedom of air discharge pattern tuning in single or double layer of individually adjustable blades
- Air volume adjustment damper with large authority range available

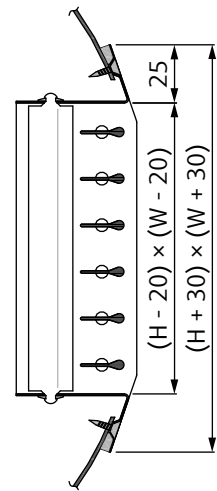
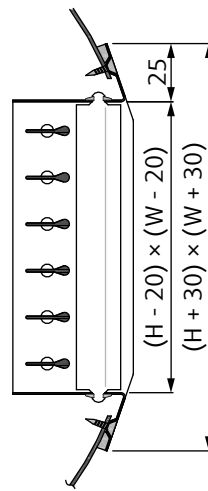
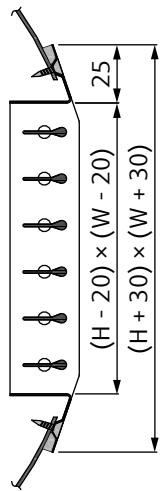
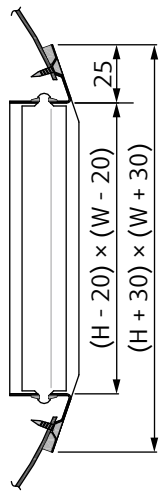
### Accessory

- R1-NOVA: Damper for NOVA

## Design

NOVA-C is manufactured from galvanized steel sheet. The product consists of a frame and 1 or 2 layers of blades. The blades are oriented horizontally or vertically. The blades of the second layer are always perpendicularly oriented to the blades of the first layer. Axial pitch of the blades is 20 mm. The blades inclination determines the air flow discharge pattern. The product is provided in galvanized surface finish as standard and can be powder painted to any RAL code specified by customer. Non-standard version of the product manufactured from stainless steel is available upon request.

## Dimensions & Weights



NOVA-C-1-WxH-V-ZN , NOVA-C-1-WxH-H-ZN, NOVA-C-2-WxH-V-ZN , NOVA-C-2-WxH-H-ZN

NOTE: For the installation in the duct of  $\varnothing$ DN 100 the NOVA-C-2... can be used only without the R1-NOVA damper.

W	H	A <sub>v1</sub>	A <sub>v2</sub>	m <sub>1</sub>	m <sub>2</sub>
mm		m <sup>2</sup>		kg	
200	100	0,012	0,009	0,33	0,53
	150	0,013	0,011	0,50	0,70
	200	0,026	0,021	0,57	0,98
300	100	0,018	0,015	0,45	0,75
	150	0,019	0,015	0,60	1,03
	200	0,041	0,033	0,75	1,32
400	100	0,025	0,020	0,59	0,99
	150	0,029	0,024	0,79	1,37
	200	0,055	0,045	0,98	1,75
500	100	0,031	0,025	0,73	1,22
	150	0,050	0,041	0,97	1,70
	200	0,070	0,057	1,21	2,18
600	100	0,038	0,030	0,86	1,48
	150	0,061	0,049	1,15	2,06
	200	0,085	0,068	1,44	2,65
800	100	0,051	0,041	1,13	1,95
	150	0,082	0,066	1,51	2,72
	200	0,114	0,092	1,90	3,50
1000	100	0,064	0,051	1,41	2,44
	150	0,104	0,084	1,89	3,40
	200	0,143	0,116	2,37	4,37
1200	100	0,076	0,062	1,69	2,91
	150	0,126	0,101	2,26	4,06
	200	0,172	0,139	2,84	5,22

W	H	A <sub>v1</sub>	A <sub>v2</sub>	m <sub>1</sub>	m <sub>2</sub>
mm		m <sup>2</sup>		kg	
225	75	0,010	0,008	0,28	0,42
	125	0,018	0,014	0,40	0,66
	175	0,026	0,021	0,52	0,90
	225	0,034	0,028	0,66	1,14
325	75	0,014	0,012	0,39	0,59
	125	0,026	0,021	0,56	0,93
	175	0,039	0,031	0,73	1,27
	225	0,051	0,041	0,91	1,59
425	325	0,076	0,062	1,25	2,24
	75	0,019	0,016	0,51	0,76
	125	0,035	0,028	0,72	1,20
	175	0,052	0,040	0,93	1,68
525	225	0,068	0,055	1,16	2,04
	325	0,100	0,082	1,58	2,86
	75	0,024	0,019	0,62	0,93
	125	0,043	0,035	0,87	1,48
625	175	0,064	0,052	1,12	2,03
	225	0,084	0,068	1,40	2,50
	325	0,125	0,102	1,91	3,50
	75	0,029	0,023	0,73	1,11
825	125	0,052	0,042	1,03	1,77
	175	0,075	0,062	1,32	2,43
	225	0,101	0,082	1,65	2,98
	325	0,150	0,122	2,24	4,17
1025	75	0,038	0,031	0,95	1,46
	125	0,069	0,056	1,34	2,31
	175	0,101	0,083	1,73	3,16
	225	0,134	0,109	2,14	3,90
1225	325	0,200	0,162	2,91	5,45
	75	0,048	0,039	1,17	1,80
	125	0,086	0,070	1,65	2,85
	175	0,127	0,104	2,13	3,90
1225	225	0,168	0,136	2,63	4,80
	325	0,249	0,202	3,57	6,70
	75	0,057	0,046	1,40	2,14
	125	0,104	0,084	1,97	3,39
1225	175	0,153	0,125	2,54	4,64
	225	0,201	0,163	3,13	5,69
	325	0,299	0,242	4,23	7,95

# Ordering Codes

## NOVA-C <sup>1</sup>

Galvanized steel grille

### Layers of blades

**1** Single layer

**2** Double layer

### Dimensions <sup>2</sup>

**W × H**

### Damper

**R1**

### Blades orientation <sup>3</sup>

**H** Horizontal

**V** Vertical

### Surface finish <sup>4</sup>

**ZN** Galvanized

**SW** Signal white (RAL9003, gloss 30%)

**RALXXXX** Other RAL colour

### NOTES:

1. Non-standard version of the product made of stainless steel is available upon request.
2. Available dimension combinations are in the dimension table.
3. In case the blades orientation of double layer grille is not specified in the ordering code, the product will be delivered with vertical blades orientation.
4. In case the surface finish is not specified in the ordering code, the product will be delivered with galvanized surface finish.

### Example of the Ordering Code

**NOVA-C-1-1025x75-R1-V-ZN**

Steel adjustable grille for round ducts, intended for an installation opening with dimensions 1025 mm × 75 mm, with a R1-NOVA damper, with vertical blades orientation, galvanized surface finish.

# Accessory

## R1-NOVA

Damper for NOVA

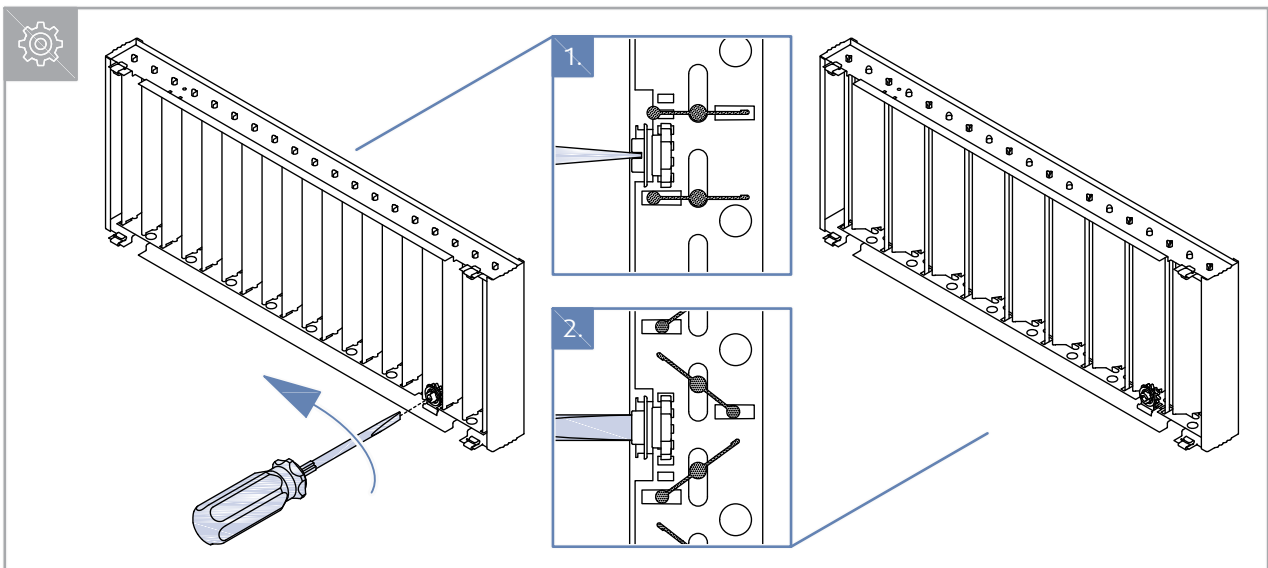


### Description

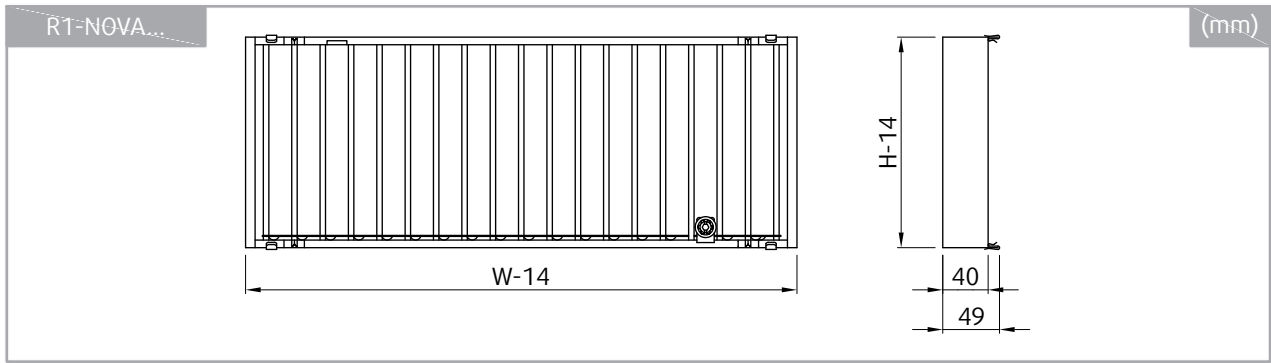
R1-NOVA is a damper for NOVA grilles. The product is intended to balance distribution of air through the entire grille. The product is intended for air supply as well as for air extract. The damper changes the air flow using its regulating wheel.

### Design

R1-NOVA is manufactured from galvanized steel sheet. The product consists of a frame, adjustable blades and a regulating wheel. The regulating wheel is operated by a flap tip screwdriver. The blades are opposed and interconnected. The blades angle controls the air flow. The product is provided without any additional surface finish.



Dimension





W	H	m
mm		kg
200	100	0,36
	150	0,48
	200	0,61
300	100	0,53
	150	0,71
	200	0,90
400	100	0,69
	150	0,93
	200	1,18
500	100	0,86
	150	1,15
	200	1,47
600	100	1,03
	150	1,38
	200	1,75
800	100	1,40
	150	1,86
	200	2,35
1000	100	1,73
	150	2,30
	200	2,92
1200	100	2,08
	150	2,76
	200	3,49

W	H	m
mm		kg
225	75	0,32
	125	0,47
	175	0,61
	225	0,75
325	75	0,46
	125	0,67
	175	0,86
	225	1,06
425	325	1,46
	75	0,61
	125	0,87
	175	1,13
525	225	1,39
	325	1,90
	75	0,74
	125	1,07
625	175	1,38
	225	1,70
	325	2,33
	75	0,88
825	125	1,26
	175	1,63
	225	2,01
	325	2,76
1025	75	1,17
	125	1,68
	175	2,16
	225	2,65
1225	325	3,63
	75	1,45
	125	2,08
	175	2,68
1225	225	3,29
	325	4,50
	75	1,72
	125	2,47
1225	175	3,19
	225	3,91
	325	5,36
	75	1,72

### Ordering Codes

#### Damper

R1-NOVA

#### Dimensions

W x H

#### Example of the Ordering Code

**R1-NOVA-1025x75**

Damper for NOVA, dimensions 1025 mm × 75 mm.

# Quick Selection

Air flow volume  $q_v$  at different A-weighted sound power levels  $L_{WA}$

NOTE: The working points were measured with open R1-NOVA damper.

Item	25 dB(A)		30 dB(A)		35 dB(A)	
	m <sup>3</sup> /h	l/s	m <sup>3</sup> /h	l/s	m <sup>3</sup> /h	l/s
NOVA-C-1-225x75-V-SW	173	48	226	63	-	-
NOVA-C-1-225x125-V-SW	277	77	368	102	-	-
NOVA-C-1-225x175-V-SW	367	102	501	139	-	-
NOVA-C-1-225x225-V-SW	448	124	624	173	-	-
NOVA-C-1-325x75-V-SW	234	65	315	88	-	-
NOVA-C-1-325x125-V-SW	370	103	509	141	-	-
NOVA-C-1-325x175-V-SW	491	136	691	192	-	-
NOVA-C-1-325x225-V-SW	590	164	856	238	-	-
NOVA-C-1-325x325-V-SW	738	205	1133	315	-	-
NOVA-C-1-425x75-V-SW	295	82	403	112	-	-
NOVA-C-1-425x125-V-SW	456	127	645	179	-	-
NOVA-C-1-425x175-V-SW	599	167	869	241	-	-
NOVA-C-1-425x225-V-SW	715	199	1068	297	-	-
NOVA-C-1-425x325-V-SW	873	243	1390	386	-	-
NOVA-C-1-525x75-V-SW	345	96	483	134	-	-
NOVA-C-1-525x125-V-SW	544	151	779	216	-	-
NOVA-C-1-525x175-V-SW	696	193	1034	287	-	-
NOVA-C-1-525x225-V-SW	828	230	1269	353	-	-
NOVA-C-1-525x325-V-SW	1002	278	1641	456	-	-
NOVA-C-1-625x75-V-SW	397	110	564	157	-	-
NOVA-C-1-625x125-V-SW	609	169	894	248	-	-
NOVA-C-1-625x175-V-SW	792	220	1197	332	-	-
NOVA-C-1-625x225-V-SW	939	261	1466	407	-	-
NOVA-C-1-625x325-V-SW	1108	308	1861	517	-	-
NOVA-C-1-825x75-V-SW	491	136	716	199	-	-
NOVA-C-1-825x125-V-SW	749	208	1132	315	-	-
NOVA-C-1-825x175-V-SW	962	267	1501	417	-	-
NOVA-C-1-825x225-V-SW	1126	313	1821	506	-	-
NOVA-C-1-825x325-V-SW	1301	361	2278	633	-	-
NOVA-C-1-225x75-R1-V-SW	107	30	142	39	180	50
NOVA-C-1-225x125-R1-V-SW	163	45	222	62	287	80
NOVA-C-1-225x175-R1-V-SW	206	57	287	80	379	105
NOVA-C-1-225x225-R1-V-SW	243	68	346	96	464	129
NOVA-C-1-325x75-R1-V-SW	137	38	189	52	245	68
NOVA-C-1-325x125-R1-V-SW	206	57	289	80	384	107

Item	25 dB(A)		30 dB(A)		35 dB(A)	
	m <sup>3</sup> /h	l/s	m <sup>3</sup> /h	l/s	m <sup>3</sup> /h	l/s
NOVA-C-1-325x175-R1-V-SW	262	73	377	105	511	142
NOVA-C-1-325x225-R1-V-SW	305	85	448	124	617	172
NOVA-C-1-325x325-R1-V-SW	355	99	548	152	789	219
NOVA-C-1-425x75-R1-V-SW	163	45	228	63	303	84
NOVA-C-1-425x125-R1-V-SW	246	68	353	98	476	132
NOVA-C-1-425x175-R1-V-SW	310	86	456	127	630	175
NOVA-C-1-425x225-R1-V-SW	358	99	537	149	755	210
NOVA-C-1-425x325-R1-V-SW	409	114	647	180	951	264
NOVA-C-1-525x75-R1-V-SW	189	52	269	75	361	100
NOVA-C-1-525x125-R1-V-SW	281	78	410	114	563	156
NOVA-C-1-525x175-R1-V-SW	353	98	529	147	742	206
NOVA-C-1-525x225-R1-V-SW	403	112	621	172	888	247
NOVA-C-1-525x325-R1-V-SW	451	125	734	204	1100	306
NOVA-C-1-625x75-R1-V-SW	212	59	306	85	416	115
NOVA-C-1-625x125-R1-V-SW	314	87	467	130	649	180
NOVA-C-1-625x175-R1-V-SW	392	109	595	165	845	235
NOVA-C-1-625x225-R1-V-SW	445	124	694	193	1009	280
NOVA-C-1-625x325-R1-V-SW	489	136	810	225	1234	343
NOVA-C-1-825x75-R1-V-SW	253	70	375	104	519	144
NOVA-C-1-825x125-R1-V-SW	373	104	567	158	804	223
NOVA-C-1-825x175-R1-V-SW	461	128	717	199	1039	289
NOVA-C-1-825x225-R1-V-SW	518	144	829	230	1231	342
NOVA-C-1-825x325-R1-V-SW	551	153	943	262	1475	410
NOVA-C-2-225x75-V-SW	162	45	213	59	-	-
NOVA-C-2-225x125-V-SW	259	72	346	96	-	-
NOVA-C-2-225x175-V-SW	343	95	468	130	-	-
NOVA-C-2-225x225-V-SW	411	114	577	160	-	-
NOVA-C-2-325x75-V-SW	221	61	297	83	-	-
NOVA-C-2-325x125-V-SW	346	96	476	132	-	-
NOVA-C-2-325x175-V-SW	450	125	639	178	-	-
NOVA-C-2-325x225-V-SW	539	150	786	218	-	-
NOVA-C-2-325x325-V-SW	664	184	1025	285	-	-
NOVA-C-2-425x75-V-SW	273	76	375	104	-	-
NOVA-C-2-425x125-V-SW	425	118	600	167	-	-
NOVA-C-2-425x175-V-SW	550	153	801	223	-	-
NOVA-C-2-425x225-V-SW	652	181	979	272	-	-
NOVA-C-2-425x325-V-SW	787	219	1258	349	-	-
NOVA-C-2-525x75-V-SW	318	88	448	124	-	-
NOVA-C-2-525x125-V-SW	492	137	713	198	-	-

Item	25 dB(A)		30 dB(A)		35 dB(A)	
	m <sup>3</sup> /h	l/s	m <sup>3</sup> /h	l/s	m <sup>3</sup> /h	l/s
NOVA-C-2-525x175-V-SW	639	178	952	264	-	-
NOVA-C-2-525x225-V-SW	749	208	1151	320	-	-
NOVA-C-2-525x325-V-SW	895	249	1474	409	-	-
NOVA-C-2-625x75-V-SW	367	102	523	145	-	-
NOVA-C-2-625x125-V-SW	563	156	828	230	-	-
NOVA-C-2-625x175-V-SW	721	200	1095	304	-	-
NOVA-C-2-625x225-V-SW	843	234	1324	368	-	-
NOVA-C-2-625x325-V-SW	987	274	1660	461	-	-
NOVA-C-2-825x75-V-SW	448	124	657	183	-	-
NOVA-C-2-825x125-V-SW	681	189	1033	287	-	-
NOVA-C-2-825x175-V-SW	875	243	1371	381	-	-
NOVA-C-2-825x225-V-SW	1008	280	1634	454	-	-
NOVA-C-2-825x325-V-SW	1149	319	2016	560	-	-
NOVA-C-2-225x75-R1-V-SW	98	27	131	36	167	46
NOVA-C-2-225x125-R1-V-SW	150	42	205	57	265	74
NOVA-C-2-225x175-R1-V-SW	193	54	269	75	354	98
NOVA-C-2-225x225-R1-V-SW	225	62	320	89	430	119
NOVA-C-2-325x75-R1-V-SW	125	35	172	48	225	62
NOVA-C-2-325x125-R1-V-SW	191	53	269	75	357	99
NOVA-C-2-325x175-R1-V-SW	241	67	346	96	468	130
NOVA-C-2-325x225-R1-V-SW	280	78	412	115	569	158
NOVA-C-2-325x325-R1-V-SW	326	91	500	139	716	199
NOVA-C-2-425x75-R1-V-SW	151	42	211	59	280	78
NOVA-C-2-425x125-R1-V-SW	226	63	325	90	440	122
NOVA-C-2-425x175-R1-V-SW	284	79	419	116	578	160
NOVA-C-2-425x225-R1-V-SW	327	91	493	137	693	192
NOVA-C-2-425x325-R1-V-SW	370	103	588	163	862	239
NOVA-C-2-525x75-R1-V-SW	174	48	246	68	332	92
NOVA-C-2-525x125-R1-V-SW	259	72	378	105	519	144
NOVA-C-2-525x175-R1-V-SW	322	90	485	135	679	189
NOVA-C-2-525x225-R1-V-SW	367	102	566	157	809	225
NOVA-C-2-525x325-R1-V-SW	413	115	664	184	989	275
NOVA-C-2-625x75-R1-V-SW	194	54	282	78	383	106
NOVA-C-2-625x125-R1-V-SW	288	80	427	119	593	165
NOVA-C-2-625x175-R1-V-SW	359	100	543	151	769	214
NOVA-C-2-625x225-R1-V-SW	405	112	632	176	915	254
NOVA-C-2-625x325-R1-V-SW	443	123	730	203	1108	308
NOVA-C-2-825x75-R1-V-SW	232	65	344	96	477	132
NOVA-C-2-825x125-R1-V-SW	342	95	518	144	733	204

Item	25 dB(A)		30 dB(A)		35 dB(A)	
	m <sup>3</sup> /h	l/s	m <sup>3</sup> /h	l/s	m <sup>3</sup> /h	l/s
NOVA-C-2-825x175-R1-V-SW	420	117	653	182	944	262
NOVA-C-2-825x225-R1-V-SW	469	130	751	209	1111	309
NOVA-C-2-825x325-R1-V-SW	495	138	845	235	1316	366

Air flow volume  $q_v$  at different A-weighted sound pressure levels  $L_{pA}$  with 10m<sup>2</sup> absorption area

NOTE: The working points were measured with open R1-NOVA damper.

Item	20 dB(A)		25 dB(A)		30 dB(A)	
	m <sup>3</sup> /h	l/s	m <sup>3</sup> /h	l/s	m <sup>3</sup> /h	l/s
NOVA-C-1-225x75-V-SW	163	45	215	60	-	-
NOVA-C-1-225x125-V-SW	259	72	349	97	-	-
NOVA-C-1-225x175-V-SW	342	95	473	131	-	-
NOVA-C-1-225x225-V-SW	415	115	587	163	-	-
NOVA-C-1-325x75-V-SW	218	61	299	83	-	-
NOVA-C-1-325x125-V-SW	344	96	480	133	-	-
NOVA-C-1-325x175-V-SW	453	126	649	180	-	-
NOVA-C-1-325x225-V-SW	541	150	799	222	-	-
NOVA-C-1-325x325-V-SW	668	186	1047	291	-	-
NOVA-C-1-425x75-V-SW	274	76	380	106	-	-
NOVA-C-1-425x125-V-SW	421	117	604	168	-	-
NOVA-C-1-425x175-V-SW	550	153	812	226	-	-
NOVA-C-1-425x225-V-SW	651	181	992	275	-	-
NOVA-C-1-425x325-V-SW	785	218	1277	355	-	-
NOVA-C-1-525x75-V-SW	319	89	454	126	-	-
NOVA-C-1-525x125-V-SW	500	139	730	203	-	-
NOVA-C-1-525x175-V-SW	635	176	962	267	-	-
NOVA-C-1-525x225-V-SW	751	209	1174	326	-	-
NOVA-C-1-525x325-V-SW	893	248	1499	416	-	-
NOVA-C-1-625x75-V-SW	366	102	529	147	-	-
NOVA-C-1-625x125-V-SW	557	155	832	231	-	-
NOVA-C-1-625x175-V-SW	720	200	1109	308	-	-
NOVA-C-1-625x225-V-SW	846	235	1352	375	-	-
NOVA-C-1-625x325-V-SW	983	273	1692	470	-	-
NOVA-C-1-825x75-V-SW	450	125	668	186	-	-
NOVA-C-1-825x125-V-SW	681	189	1050	292	-	-
NOVA-C-1-825x175-V-SW	868	241	1383	384	-	-
NOVA-C-1-825x225-V-SW	1007	280	1667	463	-	-
NOVA-C-1-825x325-V-SW	1142	317	2056	571	-	-
NOVA-C-1-225x75-R1-V-SW	100	28	135	37	172	48
NOVA-C-1-225x125-R1-V-SW	152	42	210	58	273	76
NOVA-C-1-225x175-R1-V-SW	191	53	271	75	359	100
NOVA-C-1-225x225-R1-V-SW	224	62	325	90	440	122
NOVA-C-1-325x75-R1-V-SW	127	35	178	49	233	65
NOVA-C-1-325x125-R1-V-SW	191	53	273	76	364	101
NOVA-C-1-325x175-R1-V-SW	241	67	353	98	482	134
NOVA-C-1-325x225-R1-V-SW	279	77	417	116	581	161
NOVA-C-1-325x325-R1-V-SW	322	89	507	141	736	204

Item	20 dB(A)		25 dB(A)		30 dB(A)	
	m <sup>3</sup> /h	l/s	m <sup>3</sup> /h	l/s	m <sup>3</sup> /h	l/s
NOVA-C-1-425x75-R1-V-SW	151	42	215	60	287	80
NOVA-C-1-425x125-R1-V-SW	226	63	330	92	450	125
NOVA-C-1-425x175-R1-V-SW	283	79	425	118	592	164
NOVA-C-1-425x225-R1-V-SW	326	91	498	138	708	197
NOVA-C-1-425x325-R1-V-SW	368	102	595	165	884	246
NOVA-C-1-525x75-R1-V-SW	174	48	252	70	341	95
NOVA-C-1-525x125-R1-V-SW	257	72	382	106	530	147
NOVA-C-1-525x175-R1-V-SW	321	89	491	137	696	193
NOVA-C-1-525x225-R1-V-SW	365	101	573	159	830	231
NOVA-C-1-525x325-R1-V-SW	402	112	671	186	1019	283
NOVA-C-1-625x75-R1-V-SW	194	54	287	80	393	109
NOVA-C-1-625x125-R1-V-SW	287	80	435	121	610	170
NOVA-C-1-625x175-R1-V-SW	355	99	551	153	791	220
NOVA-C-1-625x225-R1-V-SW	401	111	640	178	940	261
NOVA-C-1-625x325-R1-V-SW	434	121	739	205	1140	317
NOVA-C-1-825x75-R1-V-SW	231	64	349	97	488	136
NOVA-C-1-825x125-R1-V-SW	339	94	526	146	753	209
NOVA-C-1-825x175-R1-V-SW	416	116	661	184	969	269
NOVA-C-1-825x225-R1-V-SW	464	129	760	211	1142	317
NOVA-C-1-825x325-R1-V-SW	486	135	855	237	1356	377
NOVA-C-2-225x75-V-SW	152	42	202	56	-	-
NOVA-C-2-225x125-V-SW	242	67	327	91	-	-
NOVA-C-2-225x175-V-SW	319	89	443	123	-	-
NOVA-C-2-225x225-V-SW	380	106	542	151	-	-
NOVA-C-2-325x75-V-SW	206	57	281	78	-	-
NOVA-C-2-325x125-V-SW	321	89	449	125	-	-
NOVA-C-2-325x175-V-SW	415	115	599	166	-	-
NOVA-C-2-325x225-V-SW	494	137	734	204	-	-
NOVA-C-2-325x325-V-SW	601	167	946	263	-	-
NOVA-C-2-425x75-V-SW	254	71	354	98	-	-
NOVA-C-2-425x125-V-SW	392	109	563	157	-	-
NOVA-C-2-425x175-V-SW	504	140	748	208	-	-
NOVA-C-2-425x225-V-SW	593	165	908	252	-	-
NOVA-C-2-425x325-V-SW	706	196	1154	321	-	-
NOVA-C-2-525x75-V-SW	294	82	421	117	-	-
NOVA-C-2-525x125-V-SW	452	126	666	185	-	-
NOVA-C-2-525x175-V-SW	582	162	885	246	-	-
NOVA-C-2-525x225-V-SW	678	188	1063	295	-	-
NOVA-C-2-525x325-V-SW	796	221	1345	374	-	-



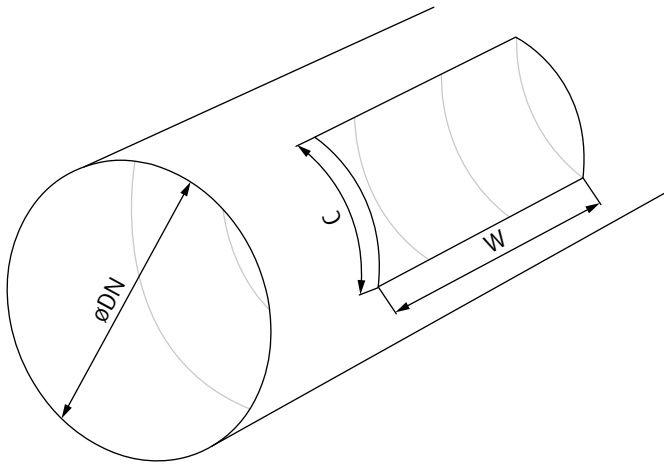
Item	20 dB(A)		25 dB(A)		30 dB(A)	
	m <sup>3</sup> /h	l/s	m <sup>3</sup> /h	l/s	m <sup>3</sup> /h	l/s
NOVA-C-2-625x75-V-SW	338	94	491	136	-	-
NOVA-C-2-625x125-V-SW	515	143	772	214	-	-
NOVA-C-2-625x175-V-SW	655	182	1014	282	-	-
NOVA-C-2-625x225-V-SW	759	211	1219	339	-	-
NOVA-C-2-625x325-V-SW	875	243	1508	419	-	-
NOVA-C-2-825x75-V-SW	410	114	613	170	-	-
NOVA-C-2-825x125-V-SW	619	172	957	266	-	-
NOVA-C-2-825x175-V-SW	788	219	1263	351	-	-
NOVA-C-2-825x225-V-SW	901	250	1495	415	-	-
NOVA-C-2-825x325-V-SW	1009	280	1818	505	-	-
NOVA-C-2-225x75-R1-V-SW	92	26	125	35	159	44
NOVA-C-2-225x125-R1-V-SW	140	39	194	54	253	70
NOVA-C-2-225x175-R1-V-SW	178	50	253	70	336	93
NOVA-C-2-225x225-R1-V-SW	207	57	300	83	406	113
NOVA-C-2-325x75-R1-V-SW	117	32	163	45	214	59
NOVA-C-2-325x125-R1-V-SW	177	49	253	70	338	94
NOVA-C-2-325x175-R1-V-SW	222	62	324	90	442	123
NOVA-C-2-325x225-R1-V-SW	256	71	385	107	535	149
NOVA-C-2-325x325-R1-V-SW	296	82	463	129	669	186
NOVA-C-2-425x75-R1-V-SW	139	39	198	55	265	74
NOVA-C-2-425x125-R1-V-SW	208	58	305	85	415	115
NOVA-C-2-425x175-R1-V-SW	260	72	390	108	543	151
NOVA-C-2-425x225-R1-V-SW	297	82	457	127	650	181
NOVA-C-2-425x325-R1-V-SW	331	92	540	150	802	223
NOVA-C-2-525x75-R1-V-SW	159	44	231	64	314	87
NOVA-C-2-525x125-R1-V-SW	237	66	353	98	489	136
NOVA-C-2-525x175-R1-V-SW	293	81	450	125	637	177
NOVA-C-2-525x225-R1-V-SW	333	92	524	145	756	210
NOVA-C-2-525x325-R1-V-SW	369	103	609	169	917	255
NOVA-C-2-625x75-R1-V-SW	179	50	263	73	361	100
NOVA-C-2-625x125-R1-V-SW	264	73	398	110	558	155
NOVA-C-2-625x175-R1-V-SW	326	91	503	140	720	200
NOVA-C-2-625x225-R1-V-SW	365	101	583	162	853	237
NOVA-C-2-625x325-R1-V-SW	395	110	667	185	1024	284
NOVA-C-2-825x75-R1-V-SW	211	59	321	89	449	125
NOVA-C-2-825x125-R1-V-SW	311	86	480	133	686	191
NOVA-C-2-825x175-R1-V-SW	378	105	602	167	881	245
NOVA-C-2-825x225-R1-V-SW	420	117	689	191	1032	287
NOVA-C-2-825x325-R1-V-SW	436	121	766	213	1210	336

# Technical Parameters

Diagrams and technical parameters are available at [design.systemair.com](https://design.systemair.com)

# Installation

The product is installed into circular ducts.



	$\varnothing DN$ (mm)											
H (mm)	100	112	125	140	150	160	180	200	225	250	280	315
75	85	83	81	80	79	79	78	77	77	77	76	76
100	-	-	-	-	110	109	107	105	104	103	103	102
125	-	-	-	-	-	-	-	136	133	131	130	129
150	-	-	-	-	-	-	-	-	-	161	159	157
175	-	-	-	-	-	-	-	-	-	-	-	186
200	-	-	-	-	-	-	-	-	-	-	-	-
225	-	-	-	-	-	-	-	-	-	-	-	-
325	-	-	-	-	-	-	-	-	-	-	-	-

	$\varnothing DN$ (mm)											
H (mm)	355	400	450	500	560	630	710	800	900	1000	1100	1250
75	76	76	76	-	-	-	-	-	-	-	-	-
100	102	102	101	101	101	101	101	101	-	-	-	-
125	128	128	127	127	127	126	126	126	126	-	-	-
150	155	154	153	153	152	152	152	151	151	-	-	-
175	183	182	180	179	178	178	177	177	177	-	-	-
200	-	210	208	206	205	204	203	203	202	202	-	-
225	-	-	236	234	232	231	229	229	228	227	-	-
325	-	-	-	-	-	-	-	335	333	332	330	329

## Legend

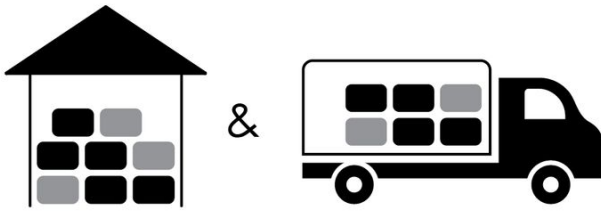
**H** - Grille nominal height

**$\varnothing DN$**  - Duct nominal diameter

**C** - Curve length of the grille installation opening (mm) stated as the content in the white field of the table above

**W** - Grille nominal width and width of the grille installation opening (mm). For the installation in the duct of  $\varnothing DN$  100 the NOVA-C-2... can be used only without the R1-NOVA damper.

# Transport, Storage and Operation



 °C -40 °C ... +50 °C

 % ≤ 95%



 °C -20 °C ... +70 °C

 % ≤ 95%

# Supplement

Any deviations from the technical specifications contained herein and the terms should be discussed with the manufacturer. We reserve the right to make any changes to the product without prior notice, provided that these changes do not affect the quality of the product and the required parameters.

Current information on all products is available on [design.systemair.com](https://design.systemair.com).

