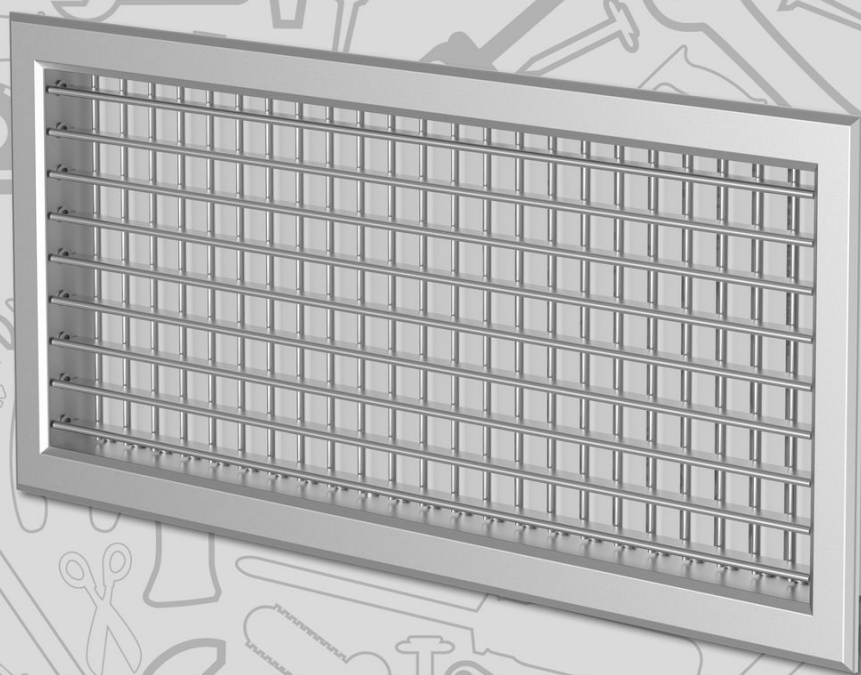


# NOVA-B

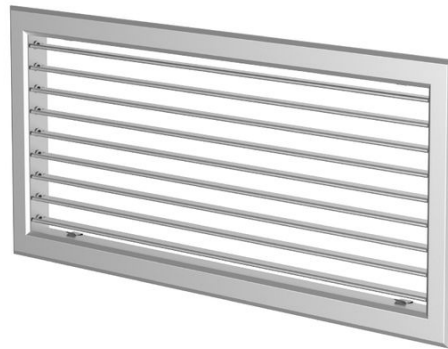
## Steel Adjustable Grille

Handbook



# Table of Contents

Description . . . . .	.3
Dimensions & Weights . . . . .	.5
Ordering Codes . . . . .	.8
Accessories . . . . .	.9
Quick Selection . . . . .	.19
Technical Parameters . . . . .	.55
Installation . . . . .	.56
Transport, Storage and Operation . . . . .	.62
Supplement . . . . .	.63



## Description

NOVA-B is a diffusion grille. The product is intended for air supply and air extract. The product is installed into rectangular ducts or into walls. The grille directs the air using its adjustable blades in a horizontal, as well as vertical orientation. For a balanced distribution of air through the entire grille it is recommended to use the R1-NOVA damper or a plenum box. The field of application is industrial and commercial premises with higher emphasis on appearance.

### Highlights

- Individually adjustable blades, single or double layer for well-adjusted air discharge pattern
- Design with emphasized aesthetics
- Lightweight construction
- Air volume adjustment damper with large authority range available

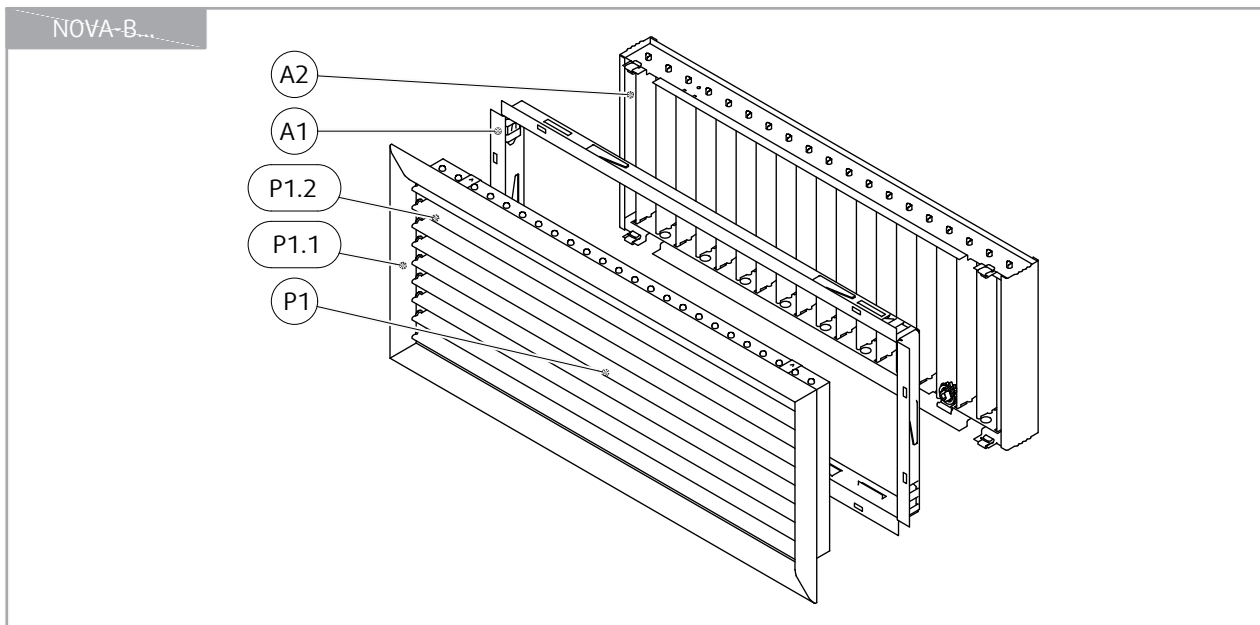
### List of Accessories

- ODEN: Plenum Box with Basic Air Adjustment for NOVA
- R1-NOVA: Damper for NOVA
- UR-NOVA: Mounting Frame for NOVA

## Design

NOVA-B is manufactured from galvanized steel profiles. The product consists of a frame and 1 or 2 layers of blades. The blades are oriented horizontally or vertically. The blades of the second layer are always perpendicularly oriented to the blades of the first layer. Axial pitch of the blades is 20 mm. The blades inclination determines the air flow discharge pattern. The product is provided in galvanized steel or powder painted to RAL9003 (signal white) as standard. Other RAL colours are available upon request.

### Product Parts



### Legend

**P1** NOVA-B

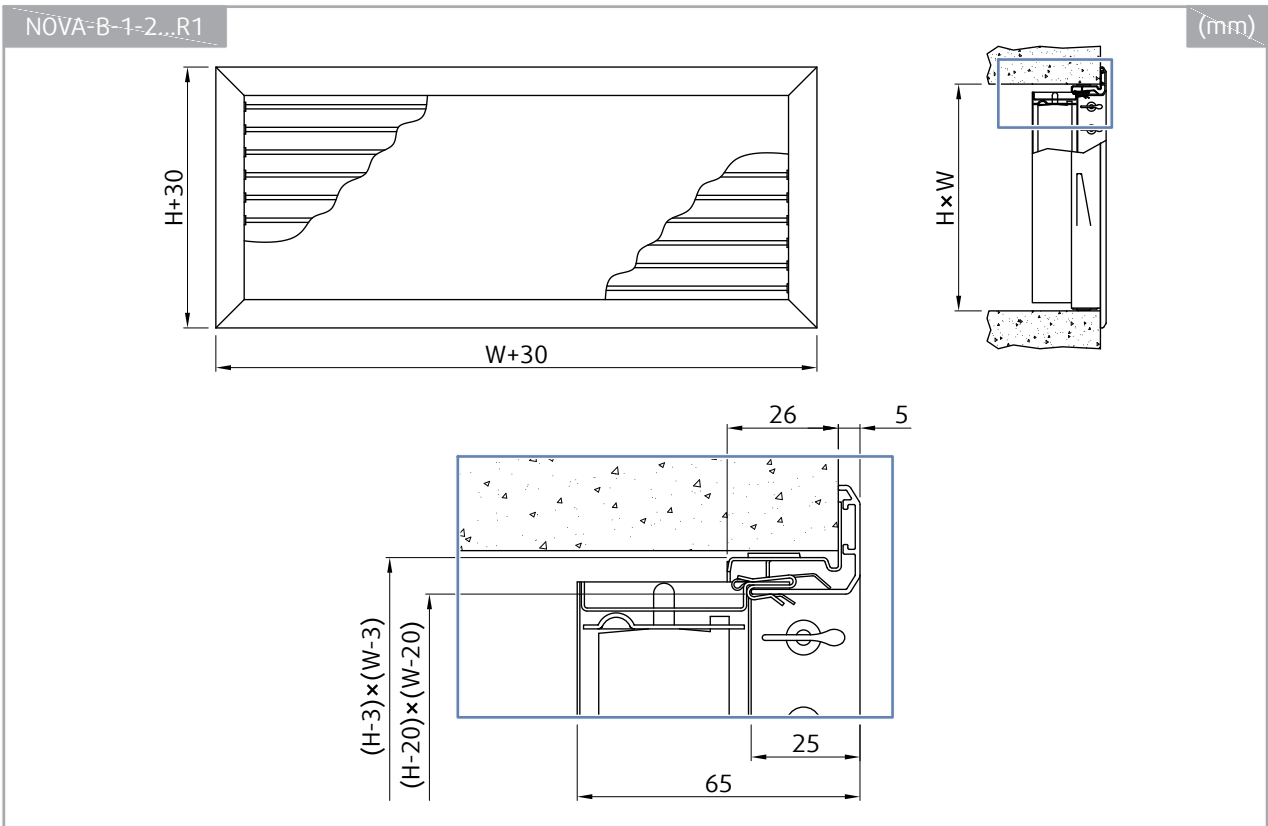
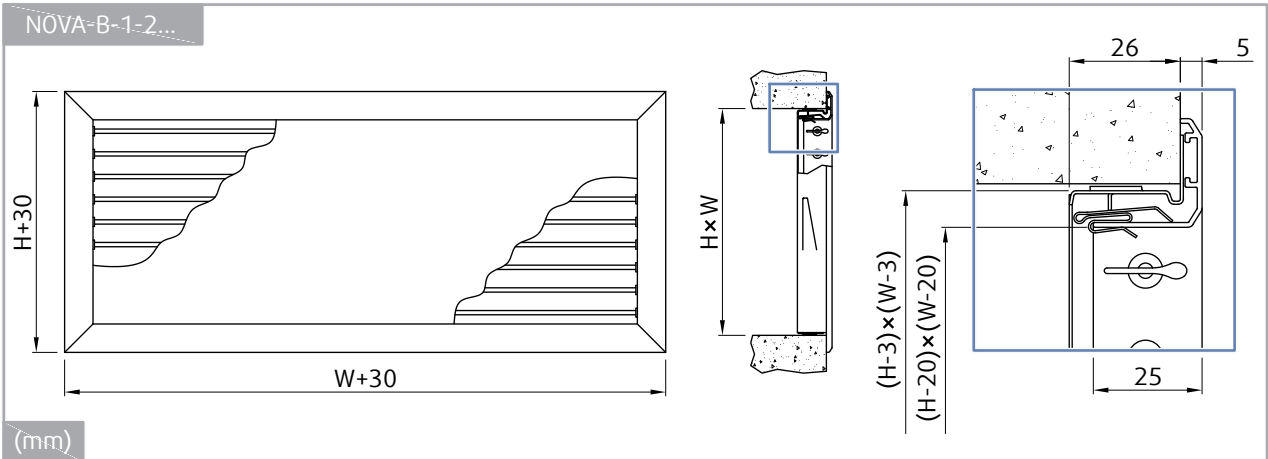
**P1.1** Grille frame

**P1.2** Blades

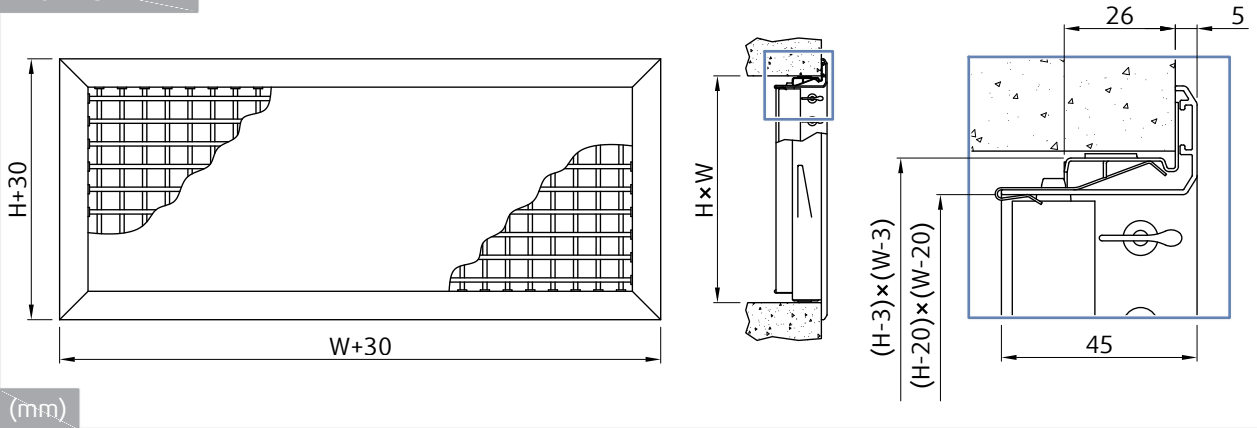
**A1** UR-NOVA (mounting frame for NOVA)

**A2** R1-NOVA (damper for NOVA)

# Dimensions & Weights

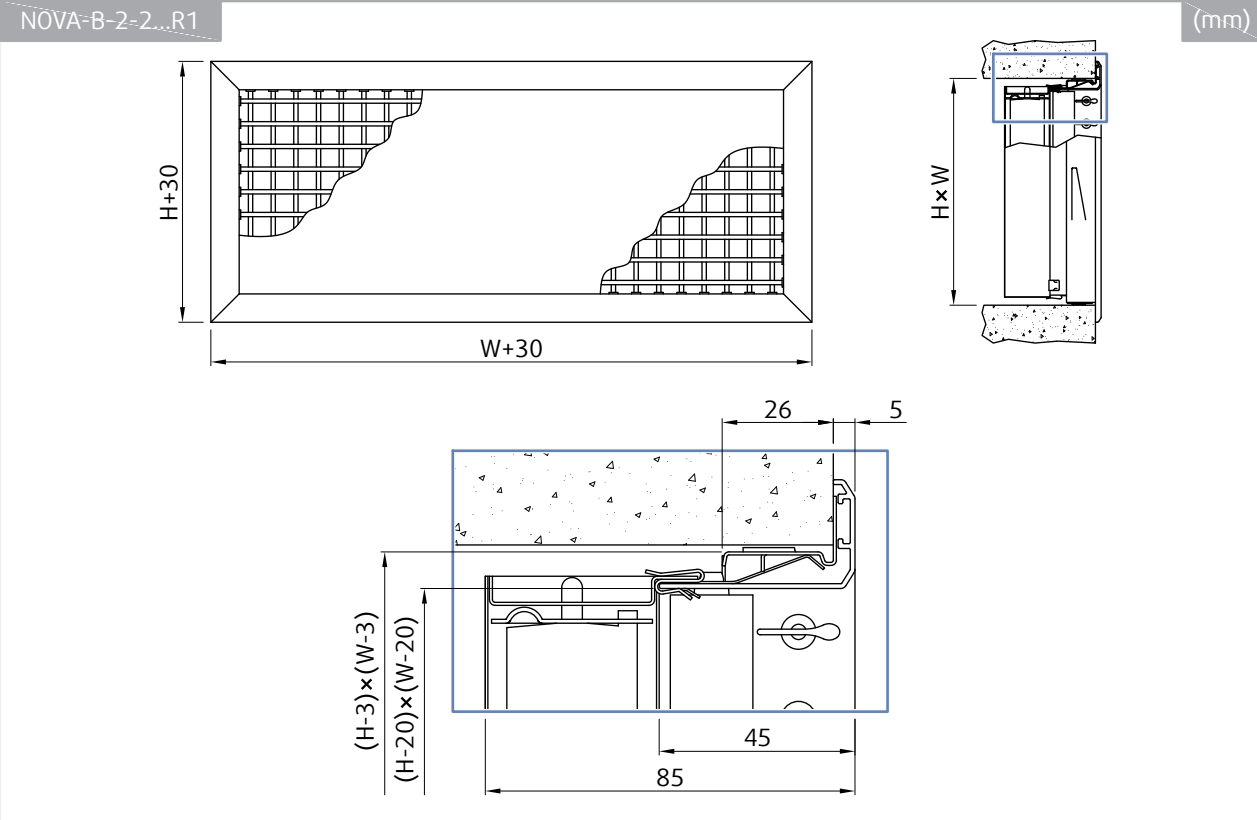


NOVA-B-2-2...



(mm)

NOVA-B-2-2...R1



(mm)

W	H	m <sub>1</sub>	m <sub>2</sub>
mm		kg	
200	100	0,32	0,54
	150	0,45	0,77
	200	0,54	0,97
300	100	0,45	0,78
	150	0,64	1,11
	200	0,77	1,39
	300	1,08	2,00
400	100	0,58	1,02
	150	0,82	1,45
	200	0,99	1,82
	300	1,40	2,61
	400	1,80	3,40
500	100	0,72	1,26
	150	1,01	1,79
	200	1,21	2,24
	300	1,71	3,22
	400	2,21	4,20
	500	2,71	5,17
600	100	0,85	1,50
	150	1,20	2,13
	200	1,44	2,66
	300	2,03	3,83
	400	2,62	4,99
	500	3,21	6,15
800	100	1,11	1,98
	150	1,57	2,82
	200	1,89	3,51
	300	2,66	5,04
	400	3,44	6,58
	500	4,22	8,11
1000	100	1,37	2,46
	150	1,94	3,50
	200	2,33	4,36
	300	3,29	6,26
	400	4,26	8,16
	500	5,22	10,06
1200	100	1,64	2,93
	150	2,32	4,18
	200	2,78	5,21
	300	3,93	7,48
	400	5,07	9,75
	500	6,22	12,02

W	H	m <sub>1</sub>	m <sub>2</sub>
mm		kg	
225	75	0,30	0,49
	125	0,41	0,71
	225	0,65	1,17
325	75	0,42	0,69
	125	0,56	0,99
	225	0,89	1,64
	325	1,23	2,29
425	75	0,53	0,89
	125	0,71	1,27
	225	1,14	2,10
	325	1,57	2,94
	425	2,00	3,77
525	75	0,64	1,09
	125	0,86	1,55
	225	1,38	2,57
	325	1,90	3,59
	425	2,42	4,61
	525	2,94	5,63
625	75	0,75	1,28
	125	1,01	1,83
	225	1,62	3,03
	325	2,23	4,24
	425	2,85	5,44
	525	3,46	6,65
825	75	0,98	1,68
	125	1,31	2,39
	225	2,10	3,96
	325	2,90	5,54
	425	3,70	7,11
	525	4,50	8,69
1025	75	1,21	2,07
	125	1,61	2,95
	225	2,59	4,90
	325	3,57	6,84
	425	4,56	8,78
	525	5,54	10,73
1225	75	1,43	2,47
	125	1,90	3,51
	225	3,07	5,83
	325	4,24	8,14
	425	5,41	10,45
	525	6,58	12,77

# Ordering Codes

NOVA-B

## Layers of blades

- 1 Single layer
- 2 Double layer

## Mounting <sup>1</sup>

- 1 Screws
- 2 Spring clips

## Dimensions <sup>2</sup>

**W × H**

## Damper

**R1**

## Mounting frame

**UR**

## Blades orientation <sup>3</sup>

- H** Horizontal
- V** Vertical

## Surface finish <sup>4</sup>

- ZN** Galvanized steel
- SW** Signal white (RAL9003, gloss 30%)
- RALXXXX** Other RAL colour

## NOTES:

1. Non-standard mounting type 3 (Safety mounting mechanism) is available upon request. Special safety measures must be obeyed for this mounting type.

The mounting types 1 and 3 can be used for installation in the wall as well as in the ceiling. The mounting type 2 can be used only in the wall, it is not applicable for ceiling installation.

2. Available dimension combinations are in the dimension table.
3. In the case of double layer grille is not specified orientation of blades in the ordering code, the product will be delivered with first layer horizontally and second layer vertically orientated.
4. In case the surface finish is not specified in the ordering code, the product will be delivered anodized surface finish.

## Example of the Ordering Code

**NOVA-B-2-2-400x200-R1-UR-H-AN**

A galvanized steel grille for rectangular ducts with double layers of blades and spring clips mounting, intended for a structural opening with dimensions 400 mm × 200 mm, R1-NOVA damper, mounting frame included, with the first row of blades horizontally oriented and anodized surface finish.



# Accessories

## ODEN

Plenum Box with Basic Air Adjustment for NOVA



### Description

ODEN is a plenum box for NOVA grilles. The product is intended to balance distribution of air through the entire grille. The product is intended for air supply as well as for air extract. The product is installed at the end of circular ducts. No need for UR-NOVA if ODEN is used.

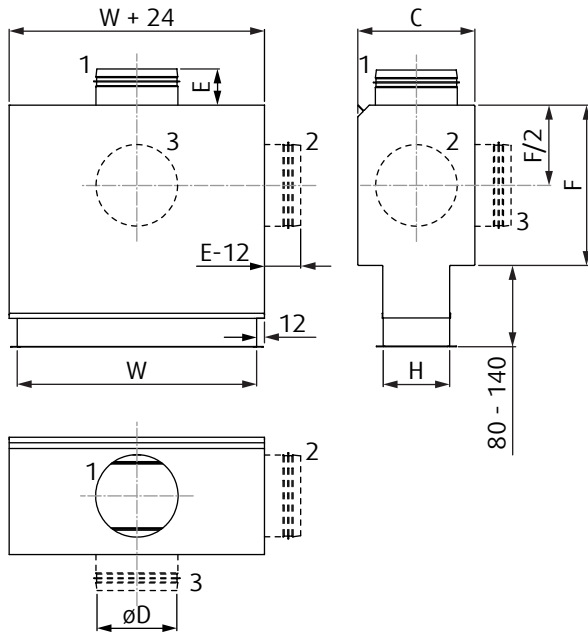
### Design

ODEN is manufactured from galvanized steel sheet. The product consists of a box casing, internal insulation, a grille connection, a duct connection, and a ZEUS damper. The grille connection has a sleeve with adjustable length. The duct connection is on rear, long or short side and has a rubber sealing. The ZEUS damper contains plastic tubes for pressure loss measuring.



ZEUS damper

## Dimension



ODEN	W	H	C	øD	E	F	m
	mm						kg
200 × 100	200	100	175	123	60	250	2,2
300 × 100	300	100	210	158	60	290	3,2
400 × 100	400	100	210	158	60	290	3,8
500 × 100	500	100	250	198	70	320	5,0
300 × 150	300	150	250	198	70	320	3,6
400 × 150	400	150	300	248	60	370	5,0
500 × 150	500	150	300	248	60	370	5,8
500 × 200	500	200	370	313	60	430	6,9
600 × 200	600	200	370	313	60	430	7,8

### Ordering Codes

ODEN

### Duct connection

- 1** on the rear side
- 2** on the short side
- 3** on the top side

### Dimensions

W x H

### Example of the Ordering Code

**ODEN-1-400x100**

Plenum box with basic air adjustment for NOVA, with rear duct connection, dimensions 400 mm × 100 mm.

## R1-NOVA

Damper for NOVA



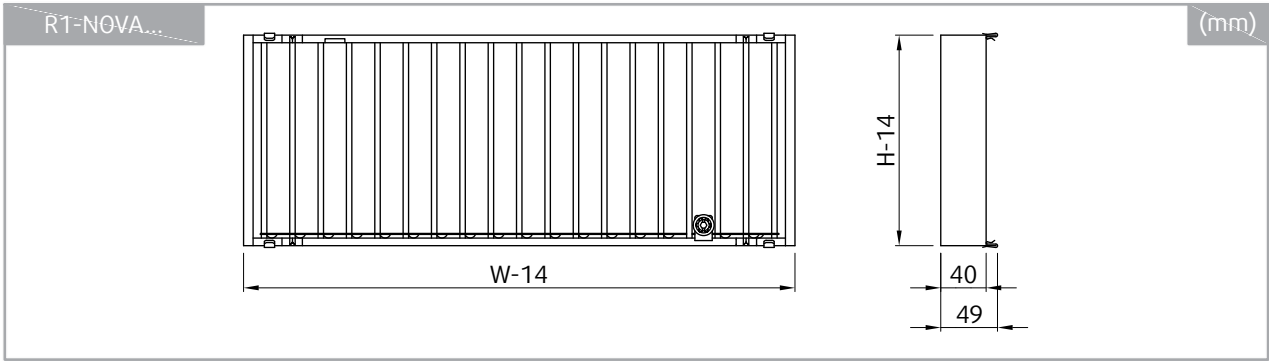
### Description

R1-NOVA is a damper for NOVA grilles. The product is intended to balance distribution of air through the entire grille. The product is intended for air supply as well as for air extract. The damper changes the air flow using its regulating wheel.

### Design

R1-NOVA is manufactured from galvanized steel sheet. The product consists of a frame, adjustable blades and a regulating wheel. The blades are opposed and interconnected. The regulating wheel is operated by a flap tip screwdriver. The blades angle controls the air flow. The product is provided without any additional surface finish.

Dimension



W	H	m
mm		kg
200	100	0,36
	150	0,48
	200	0,61
300	100	0,53
	150	0,71
	200	0,90
	300	1,27
400	100	0,69
	150	0,93
	200	1,18
	300	1,67
	400	2,15
500	100	0,86
	150	1,15
	200	1,47
	300	2,07
	400	2,67
	500	3,29
600	100	1,03
	150	1,38
	200	1,75
	300	2,47
	400	3,19
	500	3,93
800	100	1,40
	150	1,86
	200	2,35
	300	3,30
	400	4,25
	500	5,23
1000	100	1,73
	150	2,30
	200	2,92
	300	4,10
	400	5,28
	500	6,50
1200	100	2,08
	150	2,76
	200	3,49
	300	4,91
	400	6,32
	500	7,78

W	H	m
mm		kg
225	75	0,32
	125	0,47
	225	0,75
325	75	0,46
	125	0,67
	225	1,06
	325	1,46
425	75	0,61
	125	0,87
	225	1,39
	325	1,90
	425	2,42
525	75	0,74
	125	1,07
	225	1,70
	325	2,33
	425	2,96
	525	3,61
625	75	0,88
	125	1,26
	225	2,01
	325	2,76
	425	3,50
	525	4,28
825	75	1,17
	125	1,68
	225	2,65
	325	3,63
	425	4,61
	525	5,62
1025	75	1,45
	125	2,08
	225	3,29
	325	4,50
	425	5,71
	525	6,96
1225	75	1,72
	125	2,47
	225	3,91
	325	5,36
	425	6,80
	525	8,29

### Ordering Codes

#### Damper

R1-NOVA

#### Dimensions

W x H

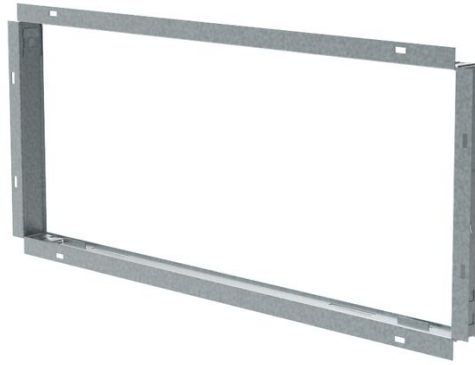
#### Example of the Ordering Code

**R1-NOVA-1025x75**

Damper for NOVA, dimensions 1025 mm × 75 mm.

**UR-NOVA**

Mounting Frame for NOVA

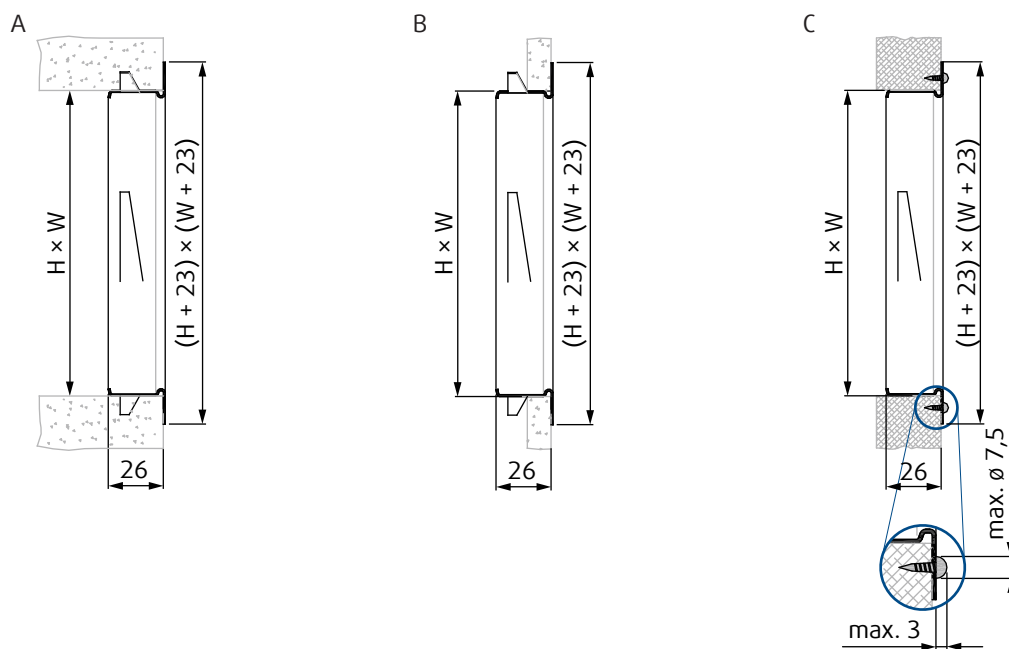
**Description**

UR-NOVA is a mounting frame for NOVA grilles. The product is intended to simplify the installation of a grille. The product is installed into a walls, ceilings or rectangular ducts.

**Design**

The product is manufactured from galvanized steel sheet.

Non-standard version of the product manufactured from stainless steel is available upon request.

**Dimension**

A - walling concrete, B - plaster board, C - wood



W	H	m	W	H	m
mm		kg	mm		kg
200	100	0,19	225	75	0,19
	150	0,22		125	0,22
	200	0,26		225	0,29
300	100	0,26	325	75	0,26
	150	0,29		125	0,29
	200	0,33		225	0,36
	300	0,39		325	0,43
400	100	0,33	425	75	0,33
	150	0,36		125	0,36
	200	0,39		225	0,43
	300	0,46		325	0,49
	400	0,53		425	0,56
500	100	0,39	525	75	0,39
	150	0,43		125	0,43
	200	0,46		225	0,49
	300	0,53		325	0,56
	400	0,59		425	0,63
	500	0,66		525	0,69
600	100	0,46	625	75	0,46
	150	0,49		125	0,49
	200	0,53		225	0,56
	300	0,59		325	0,63
	400	0,66		425	0,69
	500	0,73		525	0,76
800	100	0,59	825	75	0,59
	150	0,63		125	0,63
	200	0,66		225	0,69
	300	0,73		325	0,76
	400	0,79		425	0,83
	500	0,86		525	0,90
1000	100	0,73	1025	75	0,73
	150	0,76		125	0,76
	200	0,79		225	0,83
	300	0,86		325	0,90
	400	0,93		425	0,96
	500	1,00		525	1,03
1200	100	0,86	1225	75	0,86
	150	0,90		125	0,90
	200	0,93		225	0,96
	300	1,00		325	1,03
	400	1,06		425	1,10
	500	1,13		525	1,16

### Ordering Codes

#### Mounting frame

UR-NOVA

#### Dimensions

W x H

#### Example of the Ordering Code

**UR-NOVA-1025x125**

Mounting frame for NOVA, dimensions 1025 mm × 125 mm from galvanized steel.

# Quick Selection

Air flow volume  $q_v$  at different A-weighted sound power levels  $L_{WA}$

NOTE: The working points were **measured with open R1-NOVA damper**.

Item	25 dB(A)		30 dB(A)		35 dB(A)	
	m <sup>3</sup> /h	l/s	m <sup>3</sup> /h	l/s	m <sup>3</sup> /h	l/s
NOVA-B-1-1-200x100-H-ZN	244	68	307	85	371	103
NOVA-B-1-1-200x100-V-ZN	240	67	303	84	367	102
NOVA-B-1-1-200x100-R1-H-ZN	143	40	193	54	248	69
NOVA-B-1-1-200x100-R1-V-ZN	144	40	192	53	244	68
NOVA-B-2-1-200x100-H-ZN	227	63	288	80	351	97
NOVA-B-2-1-200x100-V-ZN	227	63	288	80	351	97
NOVA-B-2-1-200x100-R1-H-ZN	132	37	176	49	226	63
NOVA-B-2-1-200x100-R1-V-ZN	132	37	176	49	226	63
NOVA-B-1-1-200x150-H-ZN	352	98	455	126	564	157
NOVA-B-1-1-200x150-V-ZN	347	96	449	125	556	155
NOVA-B-1-1-200x150-R1-H-ZN	205	57	278	77	360	100
NOVA-B-1-1-200x150-R1-V-ZN	222	62	295	82	367	102
NOVA-B-2-1-200x150-H-ZN	331	92	425	118	524	145
NOVA-B-2-1-200x150-V-ZN	331	92	425	118	524	145
NOVA-B-2-1-200x150-R1-H-ZN	191	53	256	71	330	92
NOVA-B-2-1-200x150-R1-V-ZN	191	53	256	71	330	92
NOVA-B-1-1-200x200-H-ZN	458	127	598	166	746	207
NOVA-B-1-1-200x200-V-ZN	448	124	590	164	741	206
NOVA-B-1-1-200x200-R1-H-ZN	276	77	377	105	481	134
NOVA-B-1-1-200x200-R1-V-ZN	241	67	335	93	448	124
NOVA-B-2-1-200x200-H-ZN	420	117	555	154	701	195
NOVA-B-2-1-200x200-V-ZN	420	117	555	154	701	195
NOVA-B-2-1-200x200-R1-H-ZN	238	66	332	92	434	121
NOVA-B-2-1-200x200-R1-V-ZN	238	66	332	92	434	121
NOVA-B-1-1-300x100-H-ZN	351	97	451	125	556	154
NOVA-B-1-1-300x100-V-ZN	341	95	446	124	556	154
NOVA-B-1-1-300x100-R1-H-ZN	195	54	269	75	354	98
NOVA-B-1-1-300x100-R1-V-ZN	192	53	266	74	350	97
NOVA-B-2-1-300x100-H-ZN	323	90	421	117	523	145
NOVA-B-2-1-300x100-V-ZN	323	90	421	117	523	145
NOVA-B-2-1-300x100-R1-H-ZN	190	53	259	72	332	92
NOVA-B-2-1-300x100-R1-V-ZN	190	53	259	72	332	92
NOVA-B-1-1-300x150-H-ZN	498	138	667	185	852	237
NOVA-B-1-1-300x150-V-ZN	489	136	656	182	839	233
NOVA-B-1-1-300x150-R1-H-ZN	276	77	389	108	518	144

Item	25 dB(A)		30 dB(A)		35 dB(A)	
	m <sup>3</sup> /h	l/s	m <sup>3</sup> /h	l/s	m <sup>3</sup> /h	l/s
NOVA-B-1-1-300x150-R1-V-ZN	283	78	394	109	515	143
NOVA-B-2-1-300x150-H-ZN	461	128	617	171	786	218
NOVA-B-2-1-300x150-V-ZN	461	128	617	171	786	218
NOVA-B-2-1-300x150-R1-H-ZN	256	71	362	101	479	133
NOVA-B-2-1-300x150-R1-V-ZN	256	71	362	101	479	133
NOVA-B-1-1-300x200-H-ZN	637	177	873	242	1135	315
NOVA-B-1-1-300x200-V-ZN	625	174	858	238	1118	310
NOVA-B-1-1-300x200-R1-H-ZN	334	93	482	134	657	182
NOVA-B-1-1-300x200-R1-V-ZN	322	89	465	129	639	177
NOVA-B-2-1-300x200-H-ZN	577	160	800	222	1051	292
NOVA-B-2-1-300x200-V-ZN	577	160	800	222	1051	292
NOVA-B-2-1-300x200-R1-H-ZN	311	86	448	124	600	167
NOVA-B-2-1-300x200-R1-V-ZN	311	86	448	124	600	167
NOVA-B-1-1-300x300-H-ZN	860	239	1249	347	1704	473
NOVA-B-1-1-300x300-V-ZN	837	232	1222	339	1677	466
NOVA-B-1-1-300x300-R1-H-ZN	426	118	653	181	916	254
NOVA-B-1-1-300x300-R1-V-ZN	409	114	621	172	878	244
NOVA-B-2-1-300x300-H-ZN	763	212	1124	312	1553	431
NOVA-B-2-1-300x300-V-ZN	763	212	1124	312	1553	431
NOVA-B-2-1-300x300-R1-H-ZN	376	104	567	158	799	222
NOVA-B-2-1-300x300-R1-V-ZN	376	104	567	158	799	222
NOVA-B-1-1-400x100-H-ZN	447	124	593	165	749	208
NOVA-B-1-1-400x100-V-ZN	437	121	583	162	741	206
NOVA-B-1-1-400x100-R1-H-ZN	244	68	342	95	455	126
NOVA-B-1-1-400x100-R1-V-ZN	244	68	344	96	454	126
NOVA-B-2-1-400x100-H-ZN	403	112	546	152	705	196
NOVA-B-2-1-400x100-V-ZN	403	112	546	152	705	196
NOVA-B-2-1-400x100-R1-H-ZN	218	61	308	86	412	114
NOVA-B-2-1-400x100-R1-V-ZN	218	61	308	86	412	114
NOVA-B-1-1-400x150-H-ZN	635	176	872	242	1135	315
NOVA-B-1-1-400x150-V-ZN	624	173	857	238	1114	309
NOVA-B-1-1-400x150-R1-H-ZN	339	94	487	135	658	183
NOVA-B-1-1-400x150-R1-V-ZN	321	89	463	129	634	176
NOVA-B-2-1-400x150-H-ZN	584	162	802	223	1040	289
NOVA-B-2-1-400x150-V-ZN	584	162	802	223	1040	289
NOVA-B-2-1-400x150-R1-H-ZN	308	86	448	124	604	168
NOVA-B-2-1-400x150-R1-V-ZN	308	86	448	124	604	168
NOVA-B-1-1-400x200-H-ZN	804	223	1135	315	1514	421
NOVA-B-1-1-400x200-V-ZN	793	220	1115	310	1480	411

Item	25 dB(A)		30 dB(A)		35 dB(A)	
	m <sup>3</sup> /h	l/s	m <sup>3</sup> /h	l/s	m <sup>3</sup> /h	l/s
NOVA-B-1-1-400x200-R1-H-ZN	396	110	583	162	820	228
NOVA-B-1-1-400x200-R1-V-ZN	405	112	607	169	832	231
NOVA-B-2-1-400x200-H-ZN	715	198	1028	285	1395	388
NOVA-B-2-1-400x200-V-ZN	715	198	1028	285	1395	388
NOVA-B-2-1-400x200-R1-H-ZN	359	100	532	148	744	207
NOVA-B-2-1-400x200-R1-V-ZN	359	100	532	148	744	207
NOVA-B-1-1-400x300-H-ZN	1069	297	1608	447	2256	627
NOVA-B-1-1-400x300-V-ZN	1028	286	1565	435	2226	618
NOVA-B-1-1-400x300-R1-H-ZN	497	138	758	211	1100	306
NOVA-B-1-1-400x300-R1-V-ZN	483	134	752	209	1092	303
NOVA-B-2-1-400x300-H-ZN	938	260	1431	398	2035	565
NOVA-B-2-1-400x300-V-ZN	938	260	1431	398	2035	565
NOVA-B-2-1-400x300-R1-H-ZN	439	122	684	190	988	275
NOVA-B-2-1-400x300-R1-V-ZN	439	122	684	190	988	275
NOVA-B-1-1-400x400-H-ZN	1219	339	1981	550	2971	825
NOVA-B-1-1-400x400-V-ZN	1180	328	1927	535	2899	805
NOVA-B-1-1-400x400-R1-H-ZN	527	146	866	240	1317	366
NOVA-B-1-1-400x400-R1-V-ZN	500	139	851	236	1301	361
NOVA-B-2-1-400x400-H-ZN	1054	293	1731	481	2615	726
NOVA-B-2-1-400x400-V-ZN	1054	293	1731	481	2615	726
NOVA-B-2-1-400x400-R1-H-ZN	466	129	758	211	1144	318
NOVA-B-2-1-400x400-R1-V-ZN	466	129	758	211	1144	318
NOVA-B-1-1-500x100-H-ZN	537	149	730	203	944	262
NOVA-B-1-1-500x100-V-ZN	528	147	718	199	927	258
NOVA-B-1-1-500x100-R1-H-ZN	286	79	409	114	553	153
NOVA-B-1-1-500x100-R1-V-ZN	287	80	413	115	551	153
NOVA-B-2-1-500x100-H-ZN	488	136	671	186	874	243
NOVA-B-2-1-500x100-V-ZN	488	136	671	186	874	243
NOVA-B-2-1-500x100-R1-H-ZN	265	74	379	105	508	141
NOVA-B-2-1-500x100-R1-V-ZN	265	74	379	105	508	141
NOVA-B-1-1-500x150-H-ZN	768	213	1071	297	1410	392
NOVA-B-1-1-500x150-V-ZN	744	207	1050	292	1400	389
NOVA-B-1-1-500x150-R1-H-ZN	387	107	572	159	792	220
NOVA-B-1-1-500x150-R1-V-ZN	385	107	567	158	778	216
NOVA-B-2-1-500x150-H-ZN	687	191	974	271	1303	362
NOVA-B-2-1-500x150-V-ZN	687	191	974	271	1303	362
NOVA-B-2-1-500x150-R1-H-ZN	344	95	502	139	697	194
NOVA-B-2-1-500x150-R1-V-ZN	344	95	502	139	697	194
NOVA-B-1-1-500x200-H-ZN	964	268	1390	386	1881	522

Item	25 dB(A)		30 dB(A)		35 dB(A)	
	m <sup>3</sup> /h	l/s	m <sup>3</sup> /h	l/s	m <sup>3</sup> /h	l/s
NOVA-B-1-1-500x200-V-ZN	931	259	1358	377	1862	517
NOVA-B-1-1-500x200-R1-H-ZN	471	131	724	201	1018	283
NOVA-B-1-1-500x200-R1-V-ZN	452	126	679	189	964	268
NOVA-B-2-1-500x200-H-ZN	846	235	1247	346	1727	480
NOVA-B-2-1-500x200-V-ZN	846	235	1247	346	1727	480
NOVA-B-2-1-500x200-R1-H-ZN	416	116	632	176	891	248
NOVA-B-2-1-500x200-R1-V-ZN	416	116	632	176	891	248
NOVA-B-1-1-500x300-H-ZN	1254	348	1947	541	2802	778
NOVA-B-1-1-500x300-V-ZN	1205	335	1891	525	2757	766
NOVA-B-1-1-500x300-R1-H-ZN	566	157	885	246	1307	363
NOVA-B-1-1-500x300-R1-V-ZN	540	150	884	246	1310	364
NOVA-B-2-1-500x300-H-ZN	1091	303	1718	477	2505	696
NOVA-B-2-1-500x300-V-ZN	1091	303	1718	477	2505	696
NOVA-B-2-1-500x300-R1-H-ZN	497	138	785	218	1159	322
NOVA-B-2-1-500x300-R1-V-ZN	497	138	785	218	1159	322
NOVA-B-1-1-500x400-H-ZN	1396	388	2361	656	3674	1020
NOVA-B-1-1-500x400-V-ZN	1364	379	2306	640	3557	988
NOVA-B-1-1-500x400-R1-H-ZN	593	165	983	273	1530	425
NOVA-B-1-1-500x400-R1-V-ZN	567	157	959	267	1493	415
NOVA-B-2-1-500x400-H-ZN	1201	334	2046	568	3191	886
NOVA-B-2-1-500x400-V-ZN	1201	334	2046	568	3191	886
NOVA-B-2-1-500x400-R1-H-ZN	509	142	859	239	1330	369
NOVA-B-2-1-500x400-R1-V-ZN	509	142	859	239	1330	369
NOVA-B-1-1-500x500-H-ZN	1435	398	2639	733	4403	1223
NOVA-B-1-1-500x500-V-ZN	1388	385	2556	710	4255	1182
NOVA-B-1-1-500x500-R1-H-ZN	530	147	986	274	1645	457
NOVA-B-1-1-500x500-R1-V-ZN	540	150	961	267	1576	438
NOVA-B-2-1-500x500-H-ZN	1211	337	2242	623	3736	1038
NOVA-B-2-1-500x500-V-ZN	1211	337	2242	623	3736	1038
NOVA-B-2-1-500x500-R1-H-ZN	451	125	836	232	1398	388
NOVA-B-2-1-500x500-R1-V-ZN	451	125	836	232	1398	388
NOVA-B-1-1-600x100-H-ZN	628	174	865	240	1129	314
NOVA-B-1-1-600x100-V-ZN	612	170	849	236	1114	309
NOVA-B-1-1-600x100-R1-H-ZN	324	90	471	131	644	179
NOVA-B-1-1-600x100-R1-V-ZN	322	89	466	130	634	176
NOVA-B-2-1-600x100-H-ZN	564	157	789	219	1045	290
NOVA-B-2-1-600x100-V-ZN	564	157	789	219	1045	290
NOVA-B-2-1-600x100-R1-H-ZN	298	83	438	122	593	165
NOVA-B-2-1-600x100-R1-V-ZN	298	83	438	122	593	165

Item	25 dB(A)		30 dB(A)		35 dB(A)	
	m <sup>3</sup> /h	l/s	m <sup>3</sup> /h	l/s	m <sup>3</sup> /h	l/s
NOVA-B-1-1-600x150-H-ZN	883	245	1263	351	1701	473
NOVA-B-1-1-600x150-V-ZN	871	242	1240	345	1661	461
NOVA-B-1-1-600x150-R1-H-ZN	436	121	658	183	922	256
NOVA-B-1-1-600x150-R1-V-ZN	425	118	635	176	892	248
NOVA-B-2-1-600x150-H-ZN	781	217	1138	316	1563	434
NOVA-B-2-1-600x150-V-ZN	781	217	1138	316	1563	434
NOVA-B-2-1-600x150-R1-H-ZN	393	109	599	167	835	232
NOVA-B-2-1-600x150-R1-V-ZN	393	109	599	167	835	232
NOVA-B-1-1-600x200-H-ZN	1097	305	1631	453	2271	631
NOVA-B-1-1-600x200-V-ZN	1067	296	1594	443	2230	619
NOVA-B-1-1-600x200-R1-H-ZN	523	145	806	224	1154	321
NOVA-B-1-1-600x200-R1-V-ZN	511	142	797	221	1140	317
NOVA-B-2-1-600x200-H-ZN	964	268	1455	404	2057	571
NOVA-B-2-1-600x200-V-ZN	964	268	1455	404	2057	571
NOVA-B-2-1-600x200-R1-H-ZN	464	129	712	198	1021	283
NOVA-B-2-1-600x200-R1-V-ZN	464	129	712	198	1021	283
NOVA-B-1-1-600x300-H-ZN	1416	393	2266	630	3350	930
NOVA-B-1-1-600x300-V-ZN	1365	379	2200	611	3281	911
NOVA-B-1-1-600x300-R1-H-ZN	611	170	1011	281	1530	425
NOVA-B-1-1-600x300-R1-V-ZN	596	166	985	274	1487	413
NOVA-B-2-1-600x300-H-ZN	1232	342	1991	553	2961	823
NOVA-B-2-1-600x300-V-ZN	1232	342	1991	553	2961	823
NOVA-B-2-1-600x300-R1-H-ZN	545	151	878	244	1325	368
NOVA-B-2-1-600x300-R1-V-ZN	545	151	878	244	1325	368
NOVA-B-1-1-600x400-H-ZN	1570	436	2736	760	4330	1203
NOVA-B-1-1-600x400-V-ZN	1511	420	2640	733	4214	1171
NOVA-B-1-1-600x400-R1-H-ZN	649	180	1093	304	1723	479
NOVA-B-1-1-600x400-R1-V-ZN	607	169	1061	295	1689	469
NOVA-B-2-1-600x400-H-ZN	1332	370	2341	650	3742	1040
NOVA-B-2-1-600x400-V-ZN	1332	370	2341	650	3742	1040
NOVA-B-2-1-600x400-R1-H-ZN	529	147	944	262	1505	418
NOVA-B-2-1-600x400-R1-V-ZN	529	147	944	262	1505	418
NOVA-B-1-1-600x500-H-ZN	1575	437	3008	836	5161	1434
NOVA-B-1-1-600x500-V-ZN	1516	421	2897	805	4983	1384
NOVA-B-1-1-600x500-R1-H-ZN	573	159	1078	299	1817	505
NOVA-B-1-1-600x500-R1-V-ZN	552	153	1042	290	1755	487
NOVA-B-2-1-600x500-H-ZN	1314	365	2523	701	4339	1205
NOVA-B-2-1-600x500-V-ZN	1314	365	2523	701	4339	1205
NOVA-B-2-1-600x500-R1-H-ZN	493	137	912	253	1535	426

Item	25 dB(A)		30 dB(A)		35 dB(A)	
	m <sup>3</sup> /h	l/s	m <sup>3</sup> /h	l/s	m <sup>3</sup> /h	l/s
NOVA-B-2-1-600x500-R1-V-ZN	493	137	912	253	1535	426
NOVA-B-1-1-800x100-H-ZN	789	219	1125	313	1514	420
NOVA-B-1-1-800x100-V-ZN	766	213	1102	306	1494	415
NOVA-B-1-1-800x100-R1-H-ZN	394	109	590	164	825	229
NOVA-B-1-1-800x100-R1-V-ZN	397	110	601	167	826	229
NOVA-B-2-1-800x100-H-ZN	698	194	1014	282	1391	386
NOVA-B-2-1-800x100-V-ZN	698	194	1014	282	1391	386
NOVA-B-2-1-800x100-R1-H-ZN	351	98	520	145	725	201
NOVA-B-2-1-800x100-R1-V-ZN	351	98	520	145	725	201
NOVA-B-1-1-800x150-H-ZN	1115	310	1639	455	2250	625
NOVA-B-1-1-800x150-V-ZN	1085	301	1602	445	2211	614
NOVA-B-1-1-800x150-R1-H-ZN	522	145	797	221	1146	318
NOVA-B-1-1-800x150-R1-V-ZN	509	141	788	219	1134	315
NOVA-B-2-1-800x150-H-ZN	980	272	1466	407	2049	569
NOVA-B-2-1-800x150-V-ZN	980	272	1466	407	2049	569
NOVA-B-2-1-800x150-R1-H-ZN	465	129	719	200	1030	286
NOVA-B-2-1-800x150-R1-V-ZN	465	129	719	200	1030	286
NOVA-B-1-1-800x200-H-ZN	1354	376	2096	582	3018	838
NOVA-B-1-1-800x200-V-ZN	1326	368	2050	569	2940	817
NOVA-B-1-1-800x200-R1-H-ZN	622	173	968	269	1426	396
NOVA-B-1-1-800x200-R1-V-ZN	596	166	966	268	1433	398
NOVA-B-2-1-800x200-H-ZN	1196	332	1862	517	2688	747
NOVA-B-2-1-800x200-V-ZN	1196	332	1862	517	2688	747
NOVA-B-2-1-800x200-R1-H-ZN	535	149	882	245	1300	361
NOVA-B-2-1-800x200-R1-V-ZN	535	149	882	245	1300	361
NOVA-B-1-1-800x300-H-ZN	1705	474	2864	796	4413	1226
NOVA-B-1-1-800x300-V-ZN	1652	459	2780	772	4293	1192
NOVA-B-1-1-800x300-R1-H-ZN	706	196	1207	335	1880	522
NOVA-B-1-1-800x300-R1-V-ZN	682	190	1175	326	1828	508
NOVA-B-2-1-800x300-H-ZN	1464	407	2478	688	3847	1069
NOVA-B-2-1-800x300-V-ZN	1464	407	2478	688	3847	1069
NOVA-B-2-1-800x300-R1-H-ZN	596	166	1049	291	1643	456
NOVA-B-2-1-800x300-R1-V-ZN	596	166	1049	291	1643	456
NOVA-B-1-1-800x400-H-ZN	1843	512	3387	941	5632	1565
NOVA-B-1-1-800x400-V-ZN	1782	495	3282	912	5444	1512
NOVA-B-1-1-800x400-R1-H-ZN	692	192	1266	352	2105	585
NOVA-B-1-1-800x400-R1-V-ZN	677	188	1228	341	2030	564
NOVA-B-2-1-800x400-H-ZN	1552	431	2867	796	4783	1329
NOVA-B-2-1-800x400-V-ZN	1552	431	2867	796	4783	1329



Item	25 dB(A)		30 dB(A)		35 dB(A)	
	m <sup>3</sup> /h	l/s	m <sup>3</sup> /h	l/s	m <sup>3</sup> /h	l/s
NOVA-B-2-1-800x400-R1-H-ZN	601	167	1092	303	1783	495
NOVA-B-2-1-800x400-R1-V-ZN	601	167	1092	303	1783	495
NOVA-B-1-1-800x500-H-ZN	1791	497	3647	1013	6599	1833
NOVA-B-1-1-800x500-V-ZN	1721	478	3501	972	6347	1763
NOVA-B-1-1-800x500-R1-H-ZN	571	159	1184	329	2130	592
NOVA-B-1-1-800x500-R1-V-ZN	614	171	1169	325	2043	567
NOVA-B-2-1-800x500-H-ZN	1471	409	3011	836	5455	1515
NOVA-B-2-1-800x500-V-ZN	1471	409	3011	836	5455	1515
NOVA-B-2-1-800x500-R1-H-ZN	506	140	1008	280	1771	492
NOVA-B-2-1-800x500-R1-V-ZN	506	140	1008	280	1771	492
NOVA-B-1-1-1000x100-H-ZN	941	261	1377	383	1892	526
NOVA-B-1-1-1000x100-V-ZN	925	257	1350	375	1848	513
NOVA-B-1-1-1000x100-R1-H-ZN	456	127	702	195	995	277
NOVA-B-1-1-1000x100-R1-V-ZN	443	123	678	188	966	268
NOVA-B-2-1-1000x100-H-ZN	839	233	1240	344	1714	476
NOVA-B-2-1-1000x100-V-ZN	839	233	1240	344	1714	476
NOVA-B-2-1-1000x100-R1-H-ZN	404	112	618	172	878	244
NOVA-B-2-1-1000x100-R1-V-ZN	404	112	618	172	878	244
NOVA-B-1-1-1000x150-H-ZN	1291	359	1983	551	2848	791
NOVA-B-1-1-1000x150-V-ZN	1266	352	1940	539	2773	770
NOVA-B-1-1-1000x150-R1-H-ZN	601	167	945	262	1380	383
NOVA-B-1-1-1000x150-R1-V-ZN	584	162	933	259	1363	379
NOVA-B-2-1-1000x150-H-ZN	1140	317	1764	490	2541	706
NOVA-B-2-1-1000x150-V-ZN	1140	317	1764	490	2541	706
NOVA-B-2-1-1000x150-R1-H-ZN	532	148	839	233	1221	339
NOVA-B-2-1-1000x150-R1-V-ZN	532	148	839	233	1221	339
NOVA-B-1-1-1000x200-H-ZN	1604	446	2544	707	3728	1036
NOVA-B-1-1-1000x200-V-ZN	1557	433	2478	688	3642	1012
NOVA-B-1-1-1000x200-R1-H-ZN	700	194	1147	319	1727	480
NOVA-B-1-1-1000x200-R1-V-ZN	688	191	1112	309	1664	462
NOVA-B-2-1-1000x200-H-ZN	1385	385	2229	619	3314	921
NOVA-B-2-1-1000x200-V-ZN	1385	385	2229	619	3314	921
NOVA-B-2-1-1000x200-R1-H-ZN	627	174	996	277	1491	414
NOVA-B-2-1-1000x200-R1-V-ZN	627	174	996	277	1491	414
NOVA-B-1-1-1000x300-H-ZN	1976	549	3430	953	5420	1506
NOVA-B-1-1-1000x300-V-ZN	1901	528	3315	921	5274	1465
NOVA-B-1-1-1000x300-R1-H-ZN	745	207	1381	384	2232	620
NOVA-B-1-1-1000x300-R1-V-ZN	762	212	1339	372	2123	590
NOVA-B-2-1-1000x300-H-ZN	1682	467	2947	819	4686	1302

Item	25 dB(A)		30 dB(A)		35 dB(A)	
	m <sup>3</sup> /h	l/s	m <sup>3</sup> /h	l/s	m <sup>3</sup> /h	l/s
NOVA-B-2-1-1000x300-V-ZN	1682	467	2947	819	4686	1302
NOVA-B-2-1-1000x300-R1-H-ZN	654	182	1177	327	1908	530
NOVA-B-2-1-1000x300-R1-V-ZN	654	182	1177	327	1908	530
NOVA-B-1-1-1000x400-H-ZN	2076	577	3986	1107	6861	1906
NOVA-B-1-1-1000x400-V-ZN	1998	555	3838	1066	6623	1840
NOVA-B-1-1-1000x400-R1-H-ZN	755	210	1418	394	2400	667
NOVA-B-1-1-1000x400-R1-V-ZN	642	178	1346	374	2340	650
NOVA-B-2-1-1000x400-H-ZN	1730	480	3339	927	5763	1601
NOVA-B-2-1-1000x400-V-ZN	1730	480	3339	927	5763	1601
NOVA-B-2-1-1000x400-R1-H-ZN	621	173	1186	329	2030	564
NOVA-B-2-1-1000x400-R1-V-ZN	621	173	1186	329	2030	564
NOVA-B-1-1-1000x500-H-ZN	1956	543	4182	1162	7938	2205
NOVA-B-1-1-1000x500-V-ZN	1866	518	4027	1119	7611	2114
NOVA-B-1-1-1000x500-R1-H-ZN	592	164	1268	352	2366	657
NOVA-B-1-1-1000x500-R1-V-ZN	576	160	1230	342	2274	632
NOVA-B-2-1-1000x500-H-ZN	1583	440	3416	949	6465	1796
NOVA-B-2-1-1000x500-V-ZN	1583	440	3416	949	6465	1796
NOVA-B-2-1-1000x500-R1-H-ZN	552	153	1092	303	1958	544
NOVA-B-2-1-1000x500-R1-V-ZN	552	153	1092	303	1958	544
NOVA-B-1-1-1200x100-H-ZN	1092	303	1624	451	2255	626
NOVA-B-1-1-1200x100-V-ZN	1049	291	1582	439	2230	620
NOVA-B-1-1-1200x100-R1-H-ZN	509	141	795	221	1149	319
NOVA-B-1-1-1200x100-R1-V-ZN	499	139	788	219	1131	314
NOVA-B-2-1-1200x100-H-ZN	954	265	1445	402	2048	569
NOVA-B-2-1-1200x100-V-ZN	954	265	1445	402	2048	569
NOVA-B-2-1-1200x100-R1-H-ZN	457	127	696	193	995	276
NOVA-B-2-1-1200x100-R1-V-ZN	457	127	696	193	995	276
NOVA-B-1-1-1200x150-H-ZN	1501	417	2335	649	3369	936
NOVA-B-1-1-1200x150-V-ZN	1465	407	2279	633	3289	914
NOVA-B-1-1-1200x150-R1-H-ZN	673	187	1079	300	1594	443
NOVA-B-1-1-1200x150-R1-V-ZN	661	184	1035	287	1531	425
NOVA-B-2-1-1200x150-H-ZN	1300	361	2055	571	3013	837
NOVA-B-2-1-1200x150-V-ZN	1300	361	2055	571	3013	837
NOVA-B-2-1-1200x150-R1-H-ZN	589	164	951	264	1405	390
NOVA-B-2-1-1200x150-R1-V-ZN	589	164	951	264	1405	390
NOVA-B-1-1-1200x200-H-ZN	1828	508	2970	825	4436	1232
NOVA-B-1-1-1200x200-V-ZN	1763	490	2880	800	4340	1206
NOVA-B-1-1-1200x200-R1-H-ZN	762	212	1301	361	2001	556
NOVA-B-1-1-1200x200-R1-V-ZN	745	207	1265	351	1932	537

Item	25 dB(A)		30 dB(A)		35 dB(A)	
	m <sup>3</sup> /h	l/s	m <sup>3</sup> /h	l/s	m <sup>3</sup> /h	l/s
NOVA-B-2-1-1200x200-H-ZN	1580	439	2595	721	3911	1086
NOVA-B-2-1-1200x200-V-ZN	1580	439	2595	721	3911	1086
NOVA-B-2-1-1200x200-R1-H-ZN	678	188	1129	314	1719	477
NOVA-B-2-1-1200x200-R1-V-ZN	678	188	1129	314	1719	477
NOVA-B-1-1-1200x300-H-ZN	2204	612	3946	1096	6417	1783
NOVA-B-1-1-1200x300-V-ZN	2131	592	3827	1063	6216	1727
NOVA-B-1-1-1200x300-R1-H-ZN	868	241	1532	426	2467	685
NOVA-B-1-1-1200x300-R1-V-ZN	794	221	1481	411	2412	670
NOVA-B-2-1-1200x300-H-ZN	1866	518	3368	935	5494	1526
NOVA-B-2-1-1200x300-V-ZN	1866	518	3368	935	5494	1526
NOVA-B-2-1-1200x300-R1-H-ZN	757	210	1311	364	2114	587
NOVA-B-2-1-1200x300-R1-V-ZN	757	210	1311	364	2114	587
NOVA-B-1-1-1200x400-H-ZN	2271	631	4521	1256	8040	2233
NOVA-B-1-1-1200x400-V-ZN	2183	606	4345	1207	7744	2151
NOVA-B-1-1-1200x400-R1-H-ZN	752	209	1507	419	2680	745
NOVA-B-1-1-1200x400-R1-V-ZN	739	205	1472	409	2577	716
NOVA-B-2-1-1200x400-H-ZN	1876	521	3754	1043	6683	1856
NOVA-B-2-1-1200x400-V-ZN	1876	521	3754	1043	6683	1856
NOVA-B-2-1-1200x400-R1-H-ZN	705	196	1320	367	2236	621
NOVA-B-2-1-1200x400-R1-V-ZN	705	196	1320	367	2236	621
NOVA-B-1-1-1200x500-H-ZN	2063	573	4682	1301	9194	2554
NOVA-B-1-1-1200x500-V-ZN	1979	550	4467	1241	8788	2441
NOVA-B-1-1-1200x500-R1-H-ZN	605	168	1337	371	2562	712
NOVA-B-1-1-1200x500-R1-V-ZN	596	165	1298	361	2460	683
NOVA-B-2-1-1200x500-H-ZN	1676	466	3750	1042	7380	2050
NOVA-B-2-1-1200x500-V-ZN	1676	466	3750	1042	7380	2050
NOVA-B-2-1-1200x500-R1-H-ZN	531	147	1111	309	2089	580
NOVA-B-2-1-1200x500-R1-V-ZN	531	147	1111	309	2089	580
NOVA-B-1-1-225x75-H-ZN	206	57	259	72	312	87
NOVA-B-1-1-225x75-V-ZN	202	56	255	71	312	87
NOVA-B-1-1-225x75-R1-H-ZN	134	37	174	48	214	59
NOVA-B-1-1-225x75-R1-V-ZN	122	34	162	45	206	57
NOVA-B-2-1-225x75-H-ZN	193	53	243	68	295	82
NOVA-B-2-1-225x75-V-ZN	193	53	243	68	295	82
NOVA-B-2-1-225x75-R1-H-ZN	119	33	158	44	198	55
NOVA-B-2-1-225x75-R1-V-ZN	119	33	158	44	198	55
NOVA-B-1-1-225x125-H-ZN	331	92	426	118	528	147
NOVA-B-1-1-225x125-V-ZN	329	91	421	117	515	143
NOVA-B-1-1-225x125-R1-H-ZN	198	55	267	74	343	95

Item	25 dB(A)		30 dB(A)		35 dB(A)	
	m <sup>3</sup> /h	l/s	m <sup>3</sup> /h	l/s	m <sup>3</sup> /h	l/s
NOVA-B-1-1-225x125-R1-V-ZN	199	55	265	74	337	94
NOVA-B-2-1-225x125-H-ZN	306	85	398	111	497	138
NOVA-B-2-1-225x125-V-ZN	306	85	398	111	497	138
NOVA-B-2-1-225x125-R1-H-ZN	177	49	239	66	309	86
NOVA-B-2-1-225x125-R1-V-ZN	177	49	239	66	309	86
NOVA-B-1-1-225x225-H-ZN	557	155	746	207	950	264
NOVA-B-1-1-225x225-V-ZN	547	152	733	204	935	260
NOVA-B-1-1-225x225-R1-H-ZN	304	85	432	120	576	160
NOVA-B-1-1-225x225-R1-V-ZN	288	80	409	114	554	154
NOVA-B-2-1-225x225-H-ZN	506	140	687	191	888	247
NOVA-B-2-1-225x225-V-ZN	506	140	687	191	888	247
NOVA-B-2-1-225x225-R1-H-ZN	273	76	390	108	522	145
NOVA-B-2-1-225x225-R1-V-ZN	273	76	390	108	522	145
NOVA-B-1-1-325x75-H-ZN	284	79	368	102	457	127
NOVA-B-1-1-325x75-V-ZN	283	79	362	101	445	124
NOVA-B-1-1-325x75-R1-H-ZN	176	49	238	66	301	84
NOVA-B-1-1-325x75-R1-V-ZN	164	45	223	62	288	80
NOVA-B-2-1-325x75-H-ZN	264	73	343	95	428	119
NOVA-B-2-1-325x75-V-ZN	264	73	343	95	428	119
NOVA-B-2-1-325x75-R1-H-ZN	155	43	210	58	269	75
NOVA-B-2-1-325x75-R1-V-ZN	155	43	210	58	269	75
NOVA-B-1-1-325x125-H-ZN	453	126	604	168	770	214
NOVA-B-1-1-325x125-V-ZN	450	125	595	165	750	208
NOVA-B-1-1-325x125-R1-H-ZN	248	69	346	96	461	128
NOVA-B-1-1-325x125-R1-V-ZN	247	69	346	96	459	128
NOVA-B-2-1-325x125-H-ZN	419	116	559	155	712	198
NOVA-B-2-1-325x125-V-ZN	419	116	559	155	712	198
NOVA-B-2-1-325x125-R1-H-ZN	226	63	316	88	420	117
NOVA-B-2-1-325x125-R1-V-ZN	226	63	316	88	420	117
NOVA-B-1-1-325x225-H-ZN	754	210	1047	291	1371	381
NOVA-B-1-1-325x225-V-ZN	737	205	1027	285	1353	376
NOVA-B-1-1-325x225-R1-H-ZN	375	104	551	153	765	213
NOVA-B-1-1-325x225-R1-V-ZN	379	105	558	155	764	212
NOVA-B-2-1-325x225-H-ZN	666	185	948	263	1278	355
NOVA-B-2-1-325x225-V-ZN	666	185	948	263	1278	355
NOVA-B-2-1-325x225-R1-H-ZN	357	99	526	146	710	197
NOVA-B-2-1-325x225-R1-V-ZN	357	99	526	146	710	197
NOVA-B-1-1-325x325-H-ZN	961	267	1431	398	1992	553
NOVA-B-1-1-325x325-V-ZN	933	259	1398	388	1958	544

Item	25 dB(A)		30 dB(A)		35 dB(A)	
	m <sup>3</sup> /h	l/s	m <sup>3</sup> /h	l/s	m <sup>3</sup> /h	l/s
NOVA-B-1-1-325x325-R1-H-ZN	453	126	698	194	1005	279
NOVA-B-1-1-325x325-R1-V-ZN	442	123	688	191	991	275
NOVA-B-2-1-325x325-H-ZN	840	233	1272	353	1807	502
NOVA-B-2-1-325x325-V-ZN	840	233	1272	353	1807	502
NOVA-B-2-1-325x325-R1-H-ZN	400	111	627	174	902	251
NOVA-B-2-1-325x325-R1-V-ZN	400	111	627	174	902	251
NOVA-B-1-1-425x75-H-ZN	359	100	474	132	599	166
NOVA-B-1-1-425x75-V-ZN	354	98	468	130	588	163
NOVA-B-1-1-425x75-R1-H-ZN	202	56	283	79	372	103
NOVA-B-1-1-425x75-R1-V-ZN	194	54	271	75	359	100
NOVA-B-2-1-425x75-H-ZN	331	92	439	122	558	155
NOVA-B-2-1-425x75-V-ZN	331	92	439	122	558	155
NOVA-B-2-1-425x75-R1-H-ZN	184	51	259	72	340	94
NOVA-B-2-1-425x75-R1-V-ZN	184	51	259	72	340	94
NOVA-B-1-1-425x125-H-ZN	578	160	777	216	991	275
NOVA-B-1-1-425x125-V-ZN	564	157	763	212	982	273
NOVA-B-1-1-425x125-R1-H-ZN	299	83	431	120	587	163
NOVA-B-1-1-425x125-R1-V-ZN	302	84	433	120	580	161
NOVA-B-2-1-425x125-H-ZN	526	146	716	199	923	256
NOVA-B-2-1-425x125-V-ZN	526	146	716	199	923	256
NOVA-B-2-1-425x125-R1-H-ZN	267	74	380	106	517	144
NOVA-B-2-1-425x125-R1-V-ZN	267	74	380	106	517	144
NOVA-B-1-1-425x225-H-ZN	921	256	1332	370	1808	502
NOVA-B-1-1-425x225-V-ZN	895	249	1303	362	1782	495
NOVA-B-1-1-425x225-R1-H-ZN	450	125	679	189	958	266
NOVA-B-1-1-425x225-R1-V-ZN	439	122	661	184	935	260
NOVA-B-2-1-425x225-H-ZN	825	229	1204	334	1645	457
NOVA-B-2-1-425x225-V-ZN	825	229	1204	334	1645	457
NOVA-B-2-1-425x225-R1-H-ZN	401	111	604	168	851	236
NOVA-B-2-1-425x225-R1-V-ZN	401	111	604	168	851	236
NOVA-B-1-1-425x325-H-ZN	1165	324	1801	500	2588	719
NOVA-B-1-1-425x325-V-ZN	1117	310	1748	486	2550	708
NOVA-B-1-1-425x325-R1-H-ZN	520	144	847	235	1254	348
NOVA-B-1-1-425x325-R1-V-ZN	508	141	818	227	1210	336
NOVA-B-2-1-425x325-H-ZN	1010	281	1588	441	2318	644
NOVA-B-2-1-425x325-V-ZN	1010	281	1588	441	2318	644
NOVA-B-2-1-425x325-R1-H-ZN	458	127	738	205	1094	304
NOVA-B-2-1-425x325-R1-V-ZN	458	127	738	205	1094	304
NOVA-B-1-1-425x425-H-ZN	1295	360	2165	601	3312	920

Item	25 dB(A)		30 dB(A)		35 dB(A)	
	m <sup>3</sup> /h	l/s	m <sup>3</sup> /h	l/s	m <sup>3</sup> /h	l/s
NOVA-B-1-1-425x425-V-ZN	1249	347	2096	582	3232	898
NOVA-B-1-1-425x425-R1-H-ZN	542	150	909	253	1408	391
NOVA-B-1-1-425x425-R1-V-ZN	507	141	888	247	1393	387
NOVA-B-2-1-425x425-H-ZN	1111	309	1877	521	2896	804
NOVA-B-2-1-425x425-V-ZN	1111	309	1877	521	2896	804
NOVA-B-2-1-425x425-R1-H-ZN	463	129	792	220	1230	342
NOVA-B-2-1-425x425-R1-V-ZN	463	129	792	220	1230	342
NOVA-B-1-1-525x75-H-ZN	430	120	579	161	741	206
NOVA-B-1-1-525x75-V-ZN	423	117	570	158	729	203
NOVA-B-1-1-525x75-R1-H-ZN	243	68	343	95	450	125
NOVA-B-1-1-525x75-R1-V-ZN	223	62	319	89	431	120
NOVA-B-2-1-525x75-H-ZN	395	110	534	148	686	191
NOVA-B-2-1-525x75-V-ZN	395	110	534	148	686	191
NOVA-B-2-1-525x75-R1-H-ZN	211	59	301	84	403	112
NOVA-B-2-1-525x75-R1-V-ZN	211	59	301	84	403	112
NOVA-B-1-1-525x125-H-ZN	681	189	944	262	1239	344
NOVA-B-1-1-525x125-V-ZN	668	185	927	257	1219	339
NOVA-B-1-1-525x125-R1-H-ZN	344	95	503	140	698	194
NOVA-B-1-1-525x125-R1-V-ZN	347	97	509	141	695	193
NOVA-B-2-1-525x125-H-ZN	614	171	861	239	1144	318
NOVA-B-2-1-525x125-V-ZN	614	171	861	239	1144	318
NOVA-B-2-1-525x125-R1-H-ZN	320	89	470	130	640	178
NOVA-B-2-1-525x125-R1-V-ZN	320	89	470	130	640	178
NOVA-B-1-1-525x225-H-ZN	1089	303	1608	447	2220	617
NOVA-B-1-1-525x225-V-ZN	1056	293	1571	436	2184	607
NOVA-B-1-1-525x225-R1-H-ZN	513	142	779	216	1118	311
NOVA-B-1-1-525x225-R1-V-ZN	500	139	792	220	1137	316
NOVA-B-2-1-525x225-H-ZN	951	264	1434	398	2021	561
NOVA-B-2-1-525x225-V-ZN	951	264	1434	398	2021	561
NOVA-B-2-1-525x225-R1-H-ZN	453	126	706	196	1014	282
NOVA-B-2-1-525x225-R1-V-ZN	453	126	706	196	1014	282
NOVA-B-1-1-525x325-H-ZN	1331	370	2142	595	3193	887
NOVA-B-1-1-525x325-V-ZN	1302	362	2092	581	3102	862
NOVA-B-1-1-525x325-R1-H-ZN	580	161	963	267	1456	405
NOVA-B-1-1-525x325-R1-V-ZN	573	159	928	258	1399	388
NOVA-B-2-1-525x325-H-ZN	1158	322	1877	521	2815	782
NOVA-B-2-1-525x325-V-ZN	1158	322	1877	521	2815	782
NOVA-B-2-1-525x325-R1-H-ZN	514	143	838	233	1261	350
NOVA-B-2-1-525x325-R1-V-ZN	514	143	838	233	1261	350

Item	25 dB(A)		30 dB(A)		35 dB(A)	
	m <sup>3</sup> /h	l/s	m <sup>3</sup> /h	l/s	m <sup>3</sup> /h	l/s
NOVA-B-1-1-525x425-H-ZN	1465	407	2544	707	4038	1122
NOVA-B-1-1-525x425-V-ZN	1414	393	2465	685	3921	1089
NOVA-B-1-1-525x425-R1-H-ZN	608	169	1022	284	1610	447
NOVA-B-1-1-525x425-R1-V-ZN	555	154	993	276	1590	442
NOVA-B-2-1-525x425-H-ZN	1245	346	2183	606	3486	968
NOVA-B-2-1-525x425-V-ZN	1245	346	2183	606	3486	968
NOVA-B-2-1-525x425-R1-H-ZN	494	137	883	245	1405	390
NOVA-B-2-1-525x425-R1-V-ZN	494	137	883	245	1405	390
NOVA-B-1-1-525x525-H-ZN	1467	408	2793	776	4749	1319
NOVA-B-1-1-525x525-V-ZN	1411	392	2684	745	4592	1276
NOVA-B-1-1-525x525-R1-H-ZN	520	145	998	277	1691	470
NOVA-B-1-1-525x525-R1-V-ZN	505	140	963	267	1634	454
NOVA-B-2-1-525x525-H-ZN	1222	340	2337	649	4004	1112
NOVA-B-2-1-525x525-V-ZN	1222	340	2337	649	4004	1112
NOVA-B-2-1-525x525-R1-H-ZN	479	133	860	239	1423	395
NOVA-B-2-1-525x525-R1-V-ZN	479	133	860	239	1423	395
NOVA-B-1-1-625x75-H-ZN	499	139	682	189	882	245
NOVA-B-1-1-625x75-V-ZN	488	136	670	186	870	242
NOVA-B-1-1-625x75-R1-H-ZN	263	73	378	105	513	143
NOVA-B-1-1-625x75-R1-V-ZN	254	70	366	102	499	139
NOVA-B-2-1-625x75-H-ZN	448	124	623	173	822	228
NOVA-B-2-1-625x75-V-ZN	448	124	623	173	822	228
NOVA-B-2-1-625x75-R1-H-ZN	231	64	330	92	452	126
NOVA-B-2-1-625x75-R1-V-ZN	231	64	330	92	452	126
NOVA-B-1-1-625x125-H-ZN	785	218	1108	308	1476	410
NOVA-B-1-1-625x125-V-ZN	764	212	1085	301	1458	405
NOVA-B-1-1-625x125-R1-H-ZN	394	109	583	162	811	225
NOVA-B-1-1-625x125-R1-V-ZN	379	105	564	157	791	220
NOVA-B-2-1-625x125-H-ZN	709	197	1009	280	1350	375
NOVA-B-2-1-625x125-V-ZN	709	197	1009	280	1350	375
NOVA-B-2-1-625x125-R1-H-ZN	349	97	515	143	720	200
NOVA-B-2-1-625x125-R1-V-ZN	349	97	515	143	720	200
NOVA-B-1-1-625x225-H-ZN	1232	342	1870	519	2646	735
NOVA-B-1-1-625x225-V-ZN	1205	335	1829	508	2584	718
NOVA-B-1-1-625x225-R1-H-ZN	570	158	896	249	1298	361
NOVA-B-1-1-625x225-R1-V-ZN	551	153	877	244	1281	356
NOVA-B-2-1-625x225-H-ZN	1081	300	1663	462	2379	661
NOVA-B-2-1-625x225-V-ZN	1081	300	1663	462	2379	661
NOVA-B-2-1-625x225-R1-H-ZN	492	137	809	225	1180	328

Item	25 dB(A)		30 dB(A)		35 dB(A)	
	m <sup>3</sup> /h	l/s	m <sup>3</sup> /h	l/s	m <sup>3</sup> /h	l/s
NOVA-B-2-1-625x225-R1-V-ZN	492	137	809	225	1180	328
NOVA-B-1-1-625x325-H-ZN	1507	419	2479	689	3752	1042
NOVA-B-1-1-625x325-V-ZN	1466	407	2414	671	3650	1014
NOVA-B-1-1-625x325-R1-H-ZN	637	177	1069	297	1636	454
NOVA-B-1-1-625x325-R1-V-ZN	617	171	1037	288	1597	444
NOVA-B-2-1-625x325-H-ZN	1302	362	2162	601	3291	914
NOVA-B-2-1-625x325-V-ZN	1302	362	2162	601	3291	914
NOVA-B-2-1-625x325-R1-H-ZN	548	152	931	259	1435	399
NOVA-B-2-1-625x325-R1-V-ZN	548	152	931	259	1435	399
NOVA-B-1-1-625x425-H-ZN	1621	450	2909	808	4727	1313
NOVA-B-1-1-625x425-V-ZN	1561	434	2808	780	4586	1274
NOVA-B-1-1-625x425-R1-H-ZN	642	178	1121	311	1815	504
NOVA-B-1-1-625x425-R1-V-ZN	576	160	1083	301	1780	494
NOVA-B-2-1-625x425-H-ZN	1366	379	2469	686	4049	1125
NOVA-B-2-1-625x425-V-ZN	1366	379	2469	686	4049	1125
NOVA-B-2-1-625x425-R1-H-ZN	543	151	960	267	1557	433
NOVA-B-2-1-625x425-R1-V-ZN	543	151	960	267	1557	433
NOVA-B-1-1-625x525-H-ZN	1585	440	3131	870	5524	1534
NOVA-B-1-1-625x525-V-ZN	1525	424	3020	839	5322	1478
NOVA-B-1-1-625x525-R1-H-ZN	567	158	1073	298	1854	515
NOVA-B-1-1-625x525-R1-V-ZN	512	142	1023	284	1796	499
NOVA-B-2-1-625x525-H-ZN	1314	365	2595	721	4600	1278
NOVA-B-2-1-625x525-V-ZN	1314	365	2595	721	4600	1278
NOVA-B-2-1-625x525-R1-H-ZN	471	131	906	252	1558	433
NOVA-B-2-1-625x525-R1-V-ZN	471	131	906	252	1558	433
NOVA-B-1-1-825x75-H-ZN	630	175	882	245	1163	323
NOVA-B-1-1-825x75-V-ZN	606	168	862	240	1161	322
NOVA-B-1-1-825x75-R1-H-ZN	321	89	473	131	652	181
NOVA-B-1-1-825x75-R1-V-ZN	309	86	455	126	632	176
NOVA-B-2-1-825x75-H-ZN	562	156	800	222	1075	299
NOVA-B-2-1-825x75-V-ZN	562	156	800	222	1075	299
NOVA-B-2-1-825x75-R1-H-ZN	280	78	415	115	579	161
NOVA-B-2-1-825x75-R1-V-ZN	280	78	415	115	579	161
NOVA-B-1-1-825x125-H-ZN	974	271	1423	395	1953	543
NOVA-B-1-1-825x125-V-ZN	956	265	1395	387	1911	531
NOVA-B-1-1-825x125-R1-H-ZN	472	131	714	198	1015	282
NOVA-B-1-1-825x125-R1-V-ZN	461	128	699	194	991	275
NOVA-B-2-1-825x125-H-ZN	859	239	1276	354	1780	494
NOVA-B-2-1-825x125-V-ZN	859	239	1276	354	1780	494



Item	25 dB(A)		30 dB(A)		35 dB(A)	
	m <sup>3</sup> /h	l/s	m <sup>3</sup> /h	l/s	m <sup>3</sup> /h	l/s
NOVA-B-2-1-825x125-R1-H-ZN	418	116	645	179	918	255
NOVA-B-2-1-825x125-R1-V-ZN	418	116	645	179	918	255
NOVA-B-1-1-825x225-H-ZN	1500	417	2372	659	3473	965
NOVA-B-1-1-825x225-V-ZN	1469	408	2317	643	3381	939
NOVA-B-1-1-825x225-R1-H-ZN	668	185	1077	299	1604	446
NOVA-B-1-1-825x225-R1-V-ZN	650	181	1044	290	1561	434
NOVA-B-2-1-825x225-H-ZN	1309	364	2088	580	3081	856
NOVA-B-2-1-825x225-V-ZN	1309	364	2088	580	3081	856
NOVA-B-2-1-825x225-R1-H-ZN	572	159	954	265	1428	397
NOVA-B-2-1-825x225-R1-V-ZN	572	159	954	265	1428	397
NOVA-B-1-1-825x325-H-ZN	1786	496	3084	857	4884	1357
NOVA-B-1-1-825x325-V-ZN	1732	481	2992	831	4740	1317
NOVA-B-1-1-825x325-R1-H-ZN	714	198	1260	350	2004	557
NOVA-B-1-1-825x325-R1-V-ZN	725	201	1223	340	1911	531
NOVA-B-2-1-825x325-H-ZN	1539	428	2673	742	4213	1170
NOVA-B-2-1-825x325-V-ZN	1539	428	2673	742	4213	1170
NOVA-B-2-1-825x325-R1-H-ZN	638	177	1085	301	1714	476
NOVA-B-2-1-825x325-R1-V-ZN	638	177	1085	301	1714	476
NOVA-B-1-1-825x425-H-ZN	1879	522	3562	989	6059	1683
NOVA-B-1-1-825x425-V-ZN	1809	503	3432	953	5854	1626
NOVA-B-1-1-825x425-R1-H-ZN	668	186	1281	356	2167	602
NOVA-B-1-1-825x425-R1-V-ZN	695	193	1248	347	2079	577
NOVA-B-2-1-825x425-H-ZN	1570	436	2995	832	5108	1419
NOVA-B-2-1-825x425-V-ZN	1570	436	2995	832	5108	1419
NOVA-B-2-1-825x425-R1-H-ZN	612	170	1103	306	1824	507
NOVA-B-2-1-825x425-R1-V-ZN	612	170	1103	306	1824	507
NOVA-B-1-1-825x525-H-ZN	1771	492	3740	1039	6968	1935
NOVA-B-1-1-825x525-V-ZN	1697	471	3590	997	6690	1858
NOVA-B-1-1-825x525-R1-H-ZN	557	155	1169	325	2134	593
NOVA-B-1-1-825x525-R1-V-ZN	520	144	1105	307	2050	569
NOVA-B-2-1-825x525-H-ZN	1444	401	3058	849	5703	1584
NOVA-B-2-1-825x525-V-ZN	1444	401	3058	849	5703	1584
NOVA-B-2-1-825x525-R1-H-ZN	487	135	989	275	1769	491
NOVA-B-2-1-825x525-R1-V-ZN	487	135	989	275	1769	491
NOVA-B-1-1-1025x75-H-ZN	750	208	1075	299	1448	402
NOVA-B-1-1-1025x75-V-ZN	729	202	1052	292	1429	397
NOVA-B-1-1-1025x75-R1-H-ZN	369	102	558	155	783	217
NOVA-B-1-1-1025x75-R1-V-ZN	362	100	550	153	770	214
NOVA-B-2-1-1025x75-H-ZN	667	185	971	270	1326	368

Item	25 dB(A)		30 dB(A)		35 dB(A)	
	m <sup>3</sup> /h	l/s	m <sup>3</sup> /h	l/s	m <sup>3</sup> /h	l/s
NOVA-B-2-1-1025x75-V-ZN	667	185	971	270	1326	368
NOVA-B-2-1-1025x75-R1-H-ZN	326	91	494	137	696	193
NOVA-B-2-1-1025x75-R1-V-ZN	326	91	494	137	696	193
NOVA-B-1-1-1025x125-H-ZN	1164	323	1732	481	2405	668
NOVA-B-1-1-1025x125-V-ZN	1118	311	1687	469	2379	661
NOVA-B-1-1-1025x125-R1-H-ZN	541	150	857	238	1237	344
NOVA-B-1-1-1025x125-R1-V-ZN	528	147	813	226	1178	327
NOVA-B-2-1-1025x125-H-ZN	1022	284	1546	429	2180	606
NOVA-B-2-1-1025x125-V-ZN	1022	284	1546	429	2180	606
NOVA-B-2-1-1025x125-R1-H-ZN	479	133	742	206	1076	299
NOVA-B-2-1-1025x125-R1-V-ZN	479	133	742	206	1076	299
NOVA-B-1-1-1025x225-H-ZN	1748	486	2848	791	4276	1188
NOVA-B-1-1-1025x225-V-ZN	1683	467	2760	767	4185	1162
NOVA-B-1-1-1025x225-R1-H-ZN	743	206	1248	347	1903	529
NOVA-B-1-1-1025x225-R1-V-ZN	728	202	1208	336	1842	512
NOVA-B-2-1-1025x225-H-ZN	1503	417	2478	688	3767	1046
NOVA-B-2-1-1025x225-V-ZN	1503	417	2478	688	3767	1046
NOVA-B-2-1-1025x225-R1-H-ZN	652	181	1086	302	1656	460
NOVA-B-2-1-1025x225-R1-V-ZN	652	181	1086	302	1656	460
NOVA-B-1-1-1025x325-H-ZN	2059	572	3675	1021	5936	1649
NOVA-B-1-1-1025x325-V-ZN	1985	551	3556	988	5758	1599
NOVA-B-1-1-1025x325-R1-H-ZN	788	219	1419	394	2314	643
NOVA-B-1-1-1025x325-R1-V-ZN	765	213	1383	384	2232	620
NOVA-B-2-1-1025x325-H-ZN	1737	483	3131	870	5095	1415
NOVA-B-2-1-1025x325-V-ZN	1737	483	3131	870	5095	1415
NOVA-B-2-1-1025x325-R1-H-ZN	687	191	1224	340	1972	548
NOVA-B-2-1-1025x325-R1-V-ZN	687	191	1224	340	1972	548
NOVA-B-1-1-1025x425-H-ZN	2088	580	4128	1147	7325	2035
NOVA-B-1-1-1025x425-V-ZN	2011	559	3998	1110	7049	1958
NOVA-B-1-1-1025x425-R1-H-ZN	726	202	1408	391	2451	681
NOVA-B-1-1-1025x425-R1-V-ZN	699	194	1366	380	2362	656
NOVA-B-2-1-1025x425-H-ZN	1728	480	3439	955	6094	1693
NOVA-B-2-1-1025x425-V-ZN	1728	480	3439	955	6094	1693
NOVA-B-2-1-1025x425-R1-H-ZN	577	160	1171	325	2056	571
NOVA-B-2-1-1025x425-R1-V-ZN	577	160	1171	325	2056	571
NOVA-B-1-1-1025x525-H-ZN	1903	529	4252	1181	8302	2306
NOVA-B-1-1-1025x525-V-ZN	1818	505	4070	1131	7946	2207
NOVA-B-1-1-1025x525-R1-H-ZN	590	164	1248	347	2346	652
NOVA-B-1-1-1025x525-R1-V-ZN	504	140	1166	324	2247	624

Item	25 dB(A)		30 dB(A)		35 dB(A)	
	m <sup>3</sup> /h	l/s	m <sup>3</sup> /h	l/s	m <sup>3</sup> /h	l/s
NOVA-B-2-1-1025x525-H-ZN	1531	425	3429	953	6695	1860
NOVA-B-2-1-1025x525-V-ZN	1531	425	3429	953	6695	1860
NOVA-B-2-1-1025x525-R1-H-ZN	429	119	978	272	1897	527
NOVA-B-2-1-1025x525-R1-V-ZN	429	119	978	272	1897	527
NOVA-B-1-1-1225x75-H-ZN	869	241	1265	351	1724	479
NOVA-B-1-1-1225x75-V-ZN	835	232	1233	342	1710	475
NOVA-B-1-1-1225x75-R1-H-ZN	412	114	625	174	892	248
NOVA-B-1-1-1225x75-R1-V-ZN	402	112	617	171	881	245
NOVA-B-2-1-1225x75-H-ZN	764	212	1134	315	1575	437
NOVA-B-2-1-1225x75-V-ZN	764	212	1134	315	1575	437
NOVA-B-2-1-1225x75-R1-H-ZN	365	102	566	157	809	225
NOVA-B-2-1-1225x75-R1-V-ZN	365	102	566	157	809	225
NOVA-B-1-1-1225x125-H-ZN	1316	366	2020	561	2890	803
NOVA-B-1-1-1225x125-V-ZN	1286	357	1974	548	2821	784
NOVA-B-1-1-1225x125-R1-H-ZN	604	168	960	267	1408	391
NOVA-B-1-1-1225x125-R1-V-ZN	588	163	953	265	1389	386
NOVA-B-2-1-1225x125-H-ZN	1156	321	1792	498	2586	718
NOVA-B-2-1-1225x125-V-ZN	1156	321	1792	498	2586	718
NOVA-B-2-1-1225x125-R1-H-ZN	538	150	839	233	1227	341
NOVA-B-2-1-1225x125-R1-V-ZN	538	150	839	233	1227	341
NOVA-B-1-1-1225x225-H-ZN	1989	552	3315	921	5043	1401
NOVA-B-1-1-1225x225-V-ZN	1910	531	3205	890	4931	1370
NOVA-B-1-1-1225x225-R1-H-ZN	813	226	1397	388	2172	603
NOVA-B-1-1-1225x225-R1-V-ZN	796	221	1353	376	2100	583
NOVA-B-2-1-1225x225-H-ZN	1691	470	2855	793	4425	1229
NOVA-B-2-1-1225x225-V-ZN	1691	470	2855	793	4425	1229
NOVA-B-2-1-1225x225-R1-H-ZN	723	201	1208	336	1869	519
NOVA-B-2-1-1225x225-R1-V-ZN	723	201	1208	336	1869	519
NOVA-B-1-1-1225x325-H-ZN	2277	632	4202	1167	6986	1940
NOVA-B-1-1-1225x325-V-ZN	2192	609	4050	1125	6765	1879
NOVA-B-1-1-1225x325-R1-H-ZN	871	242	1573	437	2579	716
NOVA-B-1-1-1225x325-R1-V-ZN	859	239	1517	421	2493	692
NOVA-B-2-1-1225x325-H-ZN	1910	531	3540	983	5934	1648
NOVA-B-2-1-1225x325-V-ZN	1910	531	3540	983	5934	1648
NOVA-B-2-1-1225x325-R1-H-ZN	712	198	1327	369	2210	614
NOVA-B-2-1-1225x325-R1-V-ZN	712	198	1327	369	2210	614
NOVA-B-1-1-1225x425-H-ZN	2263	629	4668	1297	8524	2368
NOVA-B-1-1-1225x425-V-ZN	2174	604	4485	1246	8191	2275
NOVA-B-1-1-1225x425-R1-H-ZN	809	225	1539	427	2693	748

Item	25 dB(A)		30 dB(A)		35 dB(A)	
	m <sup>3</sup> /h	l/s	m <sup>3</sup> /h	l/s	m <sup>3</sup> /h	l/s
NOVA-B-1-1-1225x425-R1-V-ZN	722	200	1450	403	2599	722
NOVA-B-2-1-1225x425-H-ZN	1859	516	3835	1065	7016	1949
NOVA-B-2-1-1225x425-V-ZN	1859	516	3835	1065	7016	1949
NOVA-B-2-1-1225x425-R1-H-ZN	649	180	1270	353	2244	623
NOVA-B-2-1-1225x425-R1-V-ZN	649	180	1270	353	2244	623
NOVA-B-1-1-1225x525-H-ZN	1992	553	4693	1304	9543	2651
NOVA-B-1-1-1225x525-V-ZN	1905	529	4474	1243	9106	2529
NOVA-B-1-1-1225x525-R1-H-ZN	541	150	1247	346	2498	694
NOVA-B-1-1-1225x525-R1-V-ZN	571	158	1242	345	2406	668
NOVA-B-2-1-1225x525-H-ZN	1598	444	3731	1036	7585	2107
NOVA-B-2-1-1225x525-V-ZN	1598	444	3731	1036	7585	2107
NOVA-B-2-1-1225x525-R1-H-ZN	485	135	1050	292	2030	564
NOVA-B-2-1-1225x525-R1-V-ZN	485	135	1050	292	2030	564

Air flow volume  $q_v$  at different A-weighted sound pressure levels  $L_{pA}$  with 10m<sup>2</sup> absorption area

NOTE: The working points were **measured with open R1-NOVA damper**.

Item	20 dB(A)		25 dB(A)		30 dB(A)	
	m <sup>3</sup> /h	l/s	m <sup>3</sup> /h	l/s	m <sup>3</sup> /h	l/s
NOVA-B-1-1-200x100-H-ZN	231	64	294	82	358	99
NOVA-B-1-1-200x100-V-ZN	227	63	290	81	354	98
NOVA-B-1-1-200x100-R1-H-ZN	135	37	182	51	236	66
NOVA-B-1-1-200x100-R1-V-ZN	136	38	181	50	232	64
NOVA-B-2-1-200x100-H-ZN	215	60	276	77	337	94
NOVA-B-2-1-200x100-V-ZN	215	60	276	77	337	94
NOVA-B-2-1-200x100-R1-H-ZN	124	34	168	47	216	60
NOVA-B-2-1-200x100-R1-V-ZN	124	34	168	47	216	60
NOVA-B-1-1-200x150-H-ZN	332	92	434	121	541	150
NOVA-B-1-1-200x150-V-ZN	327	91	428	119	534	148
NOVA-B-1-1-200x150-R1-H-ZN	191	53	262	73	342	95
NOVA-B-1-1-200x150-R1-V-ZN	207	57	280	78	352	98
NOVA-B-2-1-200x150-H-ZN	312	87	406	113	503	140
NOVA-B-2-1-200x150-V-ZN	312	87	406	113	503	140
NOVA-B-2-1-200x150-R1-H-ZN	178	49	243	67	314	87
NOVA-B-2-1-200x150-R1-V-ZN	178	49	243	67	314	87
NOVA-B-1-1-200x200-H-ZN	430	120	570	158	716	199
NOVA-B-1-1-200x200-V-ZN	420	117	561	156	710	197
NOVA-B-1-1-200x200-R1-H-ZN	255	71	357	99	460	128
NOVA-B-1-1-200x200-R1-V-ZN	225	62	314	87	424	118
NOVA-B-2-1-200x200-H-ZN	394	109	528	147	671	186
NOVA-B-2-1-200x200-V-ZN	394	109	528	147	671	186
NOVA-B-2-1-200x200-R1-H-ZN	219	61	312	87	413	115
NOVA-B-2-1-200x200-R1-V-ZN	219	61	312	87	413	115
NOVA-B-1-1-300x100-H-ZN	330	92	431	120	535	148
NOVA-B-1-1-300x100-V-ZN	321	89	424	118	533	148
NOVA-B-1-1-300x100-R1-H-ZN	181	50	253	70	336	93
NOVA-B-1-1-300x100-R1-V-ZN	178	49	251	70	332	92
NOVA-B-2-1-300x100-H-ZN	303	84	401	111	503	140
NOVA-B-2-1-300x100-V-ZN	303	84	401	111	503	140
NOVA-B-2-1-300x100-R1-H-ZN	175	49	245	68	318	88
NOVA-B-2-1-300x100-R1-V-ZN	175	49	245	68	318	88
NOVA-B-1-1-300x150-H-ZN	466	129	632	175	813	226
NOVA-B-1-1-300x150-V-ZN	457	127	622	173	801	222
NOVA-B-1-1-300x150-R1-H-ZN	255	71	365	101	490	136
NOVA-B-1-1-300x150-R1-V-ZN	261	72	372	103	490	136
NOVA-B-2-1-300x150-H-ZN	431	120	586	163	751	209
NOVA-B-2-1-300x150-V-ZN	431	120	586	163	751	209

Item	20 dB(A)		25 dB(A)		30 dB(A)	
	m <sup>3</sup> /h	l/s	m <sup>3</sup> /h	l/s	m <sup>3</sup> /h	l/s
NOVA-B-2-1-300x150-R1-H-ZN	235	65	341	95	455	126
NOVA-B-2-1-300x150-R1-V-ZN	235	65	341	95	455	126
NOVA-B-1-1-300x200-H-ZN	592	165	823	229	1080	300
NOVA-B-1-1-300x200-V-ZN	580	161	809	225	1063	295
NOVA-B-1-1-300x200-R1-H-ZN	307	85	450	125	619	172
NOVA-B-1-1-300x200-R1-V-ZN	296	82	434	121	601	167
NOVA-B-2-1-300x200-H-ZN	534	148	753	209	998	277
NOVA-B-2-1-300x200-V-ZN	534	148	753	209	998	277
NOVA-B-2-1-300x200-R1-H-ZN	285	79	419	116	568	158
NOVA-B-2-1-300x200-R1-V-ZN	285	79	419	116	568	158
NOVA-B-1-1-300x300-H-ZN	788	219	1166	324	1607	447
NOVA-B-1-1-300x300-V-ZN	766	213	1140	317	1579	439
NOVA-B-1-1-300x300-R1-H-ZN	383	106	605	168	860	239
NOVA-B-1-1-300x300-R1-V-ZN	372	103	575	160	822	228
NOVA-B-2-1-300x300-H-ZN	697	194	1047	291	1461	406
NOVA-B-2-1-300x300-V-ZN	697	194	1047	291	1461	406
NOVA-B-2-1-300x300-R1-H-ZN	340	94	526	146	749	208
NOVA-B-2-1-300x300-R1-V-ZN	340	94	526	146	749	208
NOVA-B-1-1-400x100-H-ZN	418	116	563	156	716	199
NOVA-B-1-1-400x100-V-ZN	409	114	553	154	709	197
NOVA-B-1-1-400x100-R1-H-ZN	225	63	321	89	432	120
NOVA-B-1-1-400x100-R1-V-ZN	225	62	324	90	432	120
NOVA-B-2-1-400x100-H-ZN	376	104	517	144	672	187
NOVA-B-2-1-400x100-V-ZN	376	104	517	144	672	187
NOVA-B-2-1-400x100-R1-H-ZN	202	56	289	80	390	108
NOVA-B-2-1-400x100-R1-V-ZN	202	56	289	80	390	108
NOVA-B-1-1-400x150-H-ZN	589	164	822	228	1080	300
NOVA-B-1-1-400x150-V-ZN	580	161	809	225	1060	294
NOVA-B-1-1-400x150-R1-H-ZN	312	87	456	127	622	173
NOVA-B-1-1-400x150-R1-V-ZN	295	82	433	120	597	166
NOVA-B-2-1-400x150-H-ZN	542	151	756	210	991	275
NOVA-B-2-1-400x150-V-ZN	542	151	756	210	991	275
NOVA-B-2-1-400x150-R1-H-ZN	281	78	419	116	571	158
NOVA-B-2-1-400x150-R1-V-ZN	281	78	419	116	571	158
NOVA-B-1-1-400x200-H-ZN	741	206	1066	296	1434	398
NOVA-B-1-1-400x200-V-ZN	731	203	1047	291	1402	390
NOVA-B-1-1-400x200-R1-H-ZN	363	101	542	151	768	213
NOVA-B-1-1-400x200-R1-V-ZN	367	102	565	157	785	218
NOVA-B-2-1-400x200-H-ZN	657	182	961	267	1316	366

Item	20 dB(A)		25 dB(A)		30 dB(A)	
	m <sup>3</sup> /h	l/s	m <sup>3</sup> /h	l/s	m <sup>3</sup> /h	l/s
NOVA-B-2-1-400x200-V-ZN	657	182	961	267	1316	366
NOVA-B-2-1-400x200-R1-H-ZN	328	91	494	137	698	194
NOVA-B-2-1-400x200-R1-V-ZN	328	91	494	137	698	194
NOVA-B-1-1-400x300-H-ZN	971	270	1492	415	2116	588
NOVA-B-1-1-400x300-V-ZN	933	259	1449	403	2083	579
NOVA-B-1-1-400x300-R1-H-ZN	452	125	700	195	1024	285
NOVA-B-1-1-400x300-R1-V-ZN	436	121	694	193	1018	283
NOVA-B-2-1-400x300-H-ZN	849	236	1325	368	1905	529
NOVA-B-2-1-400x300-V-ZN	849	236	1325	368	1905	529
NOVA-B-2-1-400x300-R1-H-ZN	396	110	631	175	922	256
NOVA-B-2-1-400x300-R1-V-ZN	396	110	631	175	922	256
NOVA-B-1-1-400x400-H-ZN	1088	302	1812	503	2751	764
NOVA-B-1-1-400x400-V-ZN	1052	292	1761	489	2684	746
NOVA-B-1-1-400x400-R1-H-ZN	469	130	791	220	1216	338
NOVA-B-1-1-400x400-R1-V-ZN	440	122	774	215	1202	334
NOVA-B-2-1-400x400-H-ZN	939	261	1581	439	2419	672
NOVA-B-2-1-400x400-V-ZN	939	261	1581	439	2419	672
NOVA-B-2-1-400x400-R1-H-ZN	415	115	693	193	1058	294
NOVA-B-2-1-400x400-R1-V-ZN	415	115	693	193	1058	294
NOVA-B-1-1-500x100-H-ZN	499	139	690	192	899	250
NOVA-B-1-1-500x100-V-ZN	491	136	679	188	883	245
NOVA-B-1-1-500x100-R1-H-ZN	263	73	383	106	522	145
NOVA-B-1-1-500x100-R1-V-ZN	263	73	387	108	522	145
NOVA-B-2-1-500x100-H-ZN	453	126	633	176	831	231
NOVA-B-2-1-500x100-V-ZN	453	126	633	176	831	231
NOVA-B-2-1-500x100-R1-H-ZN	242	67	356	99	480	133
NOVA-B-2-1-500x100-R1-V-ZN	242	67	356	99	480	133
NOVA-B-1-1-500x150-H-ZN	710	197	1008	280	1338	372
NOVA-B-1-1-500x150-V-ZN	686	191	985	274	1325	368
NOVA-B-1-1-500x150-R1-H-ZN	353	98	532	148	745	207
NOVA-B-1-1-500x150-R1-V-ZN	350	97	529	147	733	204
NOVA-B-2-1-500x150-H-ZN	633	176	914	254	1233	343
NOVA-B-2-1-500x150-V-ZN	633	176	914	254	1233	343
NOVA-B-2-1-500x150-R1-H-ZN	316	88	468	130	654	182
NOVA-B-2-1-500x150-R1-V-ZN	316	88	468	130	654	182
NOVA-B-1-1-500x200-H-ZN	885	246	1300	361	1777	494
NOVA-B-1-1-500x200-V-ZN	853	237	1268	352	1754	487
NOVA-B-1-1-500x200-R1-H-ZN	425	118	670	186	955	265
NOVA-B-1-1-500x200-R1-V-ZN	413	115	629	175	901	250

Item	20 dB(A)		25 dB(A)		30 dB(A)	
	m <sup>3</sup> /h	l/s	m <sup>3</sup> /h	l/s	m <sup>3</sup> /h	l/s
NOVA-B-2-1-500x200-H-ZN	774	215	1162	323	1624	451
NOVA-B-2-1-500x200-V-ZN	774	215	1162	323	1624	451
NOVA-B-2-1-500x200-R1-H-ZN	377	105	586	163	835	232
NOVA-B-2-1-500x200-R1-V-ZN	377	105	586	163	835	232
NOVA-B-1-1-500x300-H-ZN	1131	314	1798	499	2616	727
NOVA-B-1-1-500x300-V-ZN	1085	301	1741	484	2568	713
NOVA-B-1-1-500x300-R1-H-ZN	511	142	814	226	1213	337
NOVA-B-1-1-500x300-R1-V-ZN	479	133	809	225	1217	338
NOVA-B-2-1-500x300-H-ZN	981	273	1582	439	2333	648
NOVA-B-2-1-500x300-V-ZN	981	273	1582	439	2333	648
NOVA-B-2-1-500x300-R1-H-ZN	448	124	721	200	1076	299
NOVA-B-2-1-500x300-R1-V-ZN	448	124	721	200	1076	299
NOVA-B-1-1-500x400-H-ZN	1236	343	2144	596	3378	938
NOVA-B-1-1-500x400-V-ZN	1206	335	2095	582	3278	911
NOVA-B-1-1-500x400-R1-H-ZN	530	147	893	248	1406	391
NOVA-B-1-1-500x400-R1-V-ZN	502	140	871	242	1374	382
NOVA-B-2-1-500x400-H-ZN	1061	295	1856	515	2934	815
NOVA-B-2-1-500x400-V-ZN	1061	295	1856	515	2934	815
NOVA-B-2-1-500x400-R1-H-ZN	450	125	781	217	1224	340
NOVA-B-2-1-500x400-R1-V-ZN	450	125	781	217	1224	340
NOVA-B-1-1-500x500-H-ZN	1246	346	2359	655	3996	1110
NOVA-B-1-1-500x500-V-ZN	1204	334	2285	635	3864	1073
NOVA-B-1-1-500x500-R1-H-ZN	458	127	881	245	1494	415
NOVA-B-1-1-500x500-R1-V-ZN	473	132	863	240	1435	398
NOVA-B-2-1-500x500-H-ZN	1049	291	2004	557	3393	942
NOVA-B-2-1-500x500-V-ZN	1049	291	2004	557	3393	942
NOVA-B-2-1-500x500-R1-H-ZN	392	109	747	208	1270	353
NOVA-B-2-1-500x500-R1-V-ZN	392	109	747	208	1270	353
NOVA-B-1-1-600x100-H-ZN	582	162	815	226	1073	298
NOVA-B-1-1-600x100-V-ZN	568	158	800	222	1058	294
NOVA-B-1-1-600x100-R1-H-ZN	296	82	440	122	607	169
NOVA-B-1-1-600x100-R1-V-ZN	294	82	436	121	598	166
NOVA-B-2-1-600x100-H-ZN	521	145	742	206	992	275
NOVA-B-2-1-600x100-V-ZN	521	145	742	206	992	275
NOVA-B-2-1-600x100-R1-H-ZN	270	75	409	114	560	156
NOVA-B-2-1-600x100-R1-V-ZN	270	75	409	114	560	156
NOVA-B-1-1-600x150-H-ZN	812	226	1183	329	1608	447
NOVA-B-1-1-600x150-V-ZN	801	222	1163	323	1572	437
NOVA-B-1-1-600x150-R1-H-ZN	396	110	610	170	866	240



Item	20 dB(A)		25 dB(A)		30 dB(A)	
	m <sup>3</sup> /h	l/s	m <sup>3</sup> /h	l/s	m <sup>3</sup> /h	l/s
NOVA-B-1-1-600x150-R1-V-ZN	388	108	590	164	836	232
NOVA-B-2-1-600x150-H-ZN	715	199	1062	295	1471	409
NOVA-B-2-1-600x150-V-ZN	715	199	1062	295	1471	409
NOVA-B-2-1-600x150-R1-H-ZN	354	98	556	154	785	218
NOVA-B-2-1-600x150-R1-V-ZN	354	98	556	154	785	218
NOVA-B-1-1-600x200-H-ZN	1000	278	1517	421	2134	593
NOVA-B-1-1-600x200-V-ZN	973	270	1481	411	2092	581
NOVA-B-1-1-600x200-R1-H-ZN	472	131	745	207	1078	300
NOVA-B-1-1-600x200-R1-V-ZN	459	128	736	205	1066	296
NOVA-B-2-1-600x200-H-ZN	876	243	1350	375	1927	535
NOVA-B-2-1-600x200-V-ZN	876	243	1350	375	1927	535
NOVA-B-2-1-600x200-R1-H-ZN	420	117	658	183	953	265
NOVA-B-2-1-600x200-R1-V-ZN	420	117	658	183	953	265
NOVA-B-1-1-600x300-H-ZN	1268	352	2080	578	3111	864
NOVA-B-1-1-600x300-V-ZN	1223	340	2015	560	3041	845
NOVA-B-1-1-600x300-R1-H-ZN	543	151	922	256	1416	393
NOVA-B-1-1-600x300-R1-V-ZN	528	147	900	250	1376	382
NOVA-B-2-1-600x300-H-ZN	1100	306	1824	507	2748	763
NOVA-B-2-1-600x300-V-ZN	1100	306	1824	507	2748	763
NOVA-B-2-1-600x300-R1-H-ZN	489	136	804	223	1225	340
NOVA-B-2-1-600x300-R1-V-ZN	489	136	804	223	1225	340
NOVA-B-1-1-600x400-H-ZN	1379	383	2473	687	3971	1103
NOVA-B-1-1-600x400-V-ZN	1327	369	2382	662	3857	1071
NOVA-B-1-1-600x400-R1-H-ZN	577	160	991	275	1579	439
NOVA-B-1-1-600x400-R1-V-ZN	532	148	958	266	1547	430
NOVA-B-2-1-600x400-H-ZN	1168	324	2112	587	3425	951
NOVA-B-2-1-600x400-V-ZN	1168	324	2112	587	3425	951
NOVA-B-2-1-600x400-R1-H-ZN	461	128	850	236	1379	383
NOVA-B-2-1-600x400-R1-V-ZN	461	128	850	236	1379	383
NOVA-B-1-1-600x500-H-ZN	1354	376	2671	742	4660	1294
NOVA-B-1-1-600x500-V-ZN	1305	362	2573	715	4497	1249
NOVA-B-1-1-600x500-R1-H-ZN	494	137	960	267	1646	457
NOVA-B-1-1-600x500-R1-V-ZN	475	132	929	258	1590	442
NOVA-B-2-1-600x500-H-ZN	1128	313	2239	622	3917	1088
NOVA-B-2-1-600x500-V-ZN	1128	313	2239	622	3917	1088
NOVA-B-2-1-600x500-R1-H-ZN	428	119	814	226	1391	386
NOVA-B-2-1-600x500-R1-V-ZN	428	119	814	226	1391	386
NOVA-B-1-1-800x100-H-ZN	726	202	1055	293	1431	398
NOVA-B-1-1-800x100-V-ZN	705	196	1031	286	1410	392

Item	20 dB(A)		25 dB(A)		30 dB(A)	
	m <sup>3</sup> /h	l/s	m <sup>3</sup> /h	l/s	m <sup>3</sup> /h	l/s
NOVA-B-1-1-800x100-R1-H-ZN	358	99	548	152	774	215
NOVA-B-1-1-800x100-R1-V-ZN	358	99	559	155	779	216
NOVA-B-2-1-800x100-H-ZN	640	178	947	263	1310	364
NOVA-B-2-1-800x100-V-ZN	640	178	947	263	1310	364
NOVA-B-2-1-800x100-R1-H-ZN	320	89	484	134	680	189
NOVA-B-2-1-800x100-R1-V-ZN	320	89	484	134	680	189
NOVA-B-1-1-800x150-H-ZN	1018	283	1528	424	2119	589
NOVA-B-1-1-800x150-V-ZN	990	275	1492	414	2081	578
NOVA-B-1-1-800x150-R1-H-ZN	475	132	736	205	1069	297
NOVA-B-1-1-800x150-R1-V-ZN	460	128	727	202	1059	294
NOVA-B-2-1-800x150-H-ZN	891	247	1362	378	1924	534
NOVA-B-2-1-800x150-V-ZN	891	247	1362	378	1924	534
NOVA-B-2-1-800x150-R1-H-ZN	419	117	665	185	962	267
NOVA-B-2-1-800x150-R1-V-ZN	419	117	665	185	962	267
NOVA-B-1-1-800x200-H-ZN	1224	340	1934	537	2817	783
NOVA-B-1-1-800x200-V-ZN	1198	333	1893	526	2746	763
NOVA-B-1-1-800x200-R1-H-ZN	564	157	890	247	1324	368
NOVA-B-1-1-800x200-R1-V-ZN	532	148	885	246	1331	370
NOVA-B-2-1-800x200-H-ZN	1079	300	1717	477	2507	696
NOVA-B-2-1-800x200-V-ZN	1079	300	1717	477	2507	696
NOVA-B-2-1-800x200-R1-H-ZN	473	131	808	224	1209	336
NOVA-B-2-1-800x200-R1-V-ZN	473	131	808	224	1209	336
NOVA-B-1-1-800x300-H-ZN	1511	420	2604	723	4066	1129
NOVA-B-1-1-800x300-V-ZN	1464	407	2527	702	3954	1098
NOVA-B-1-1-800x300-R1-H-ZN	623	173	1095	304	1729	480
NOVA-B-1-1-800x300-R1-V-ZN	600	167	1065	296	1682	467
NOVA-B-2-1-800x300-H-ZN	1296	360	2249	625	3539	983
NOVA-B-2-1-800x300-V-ZN	1296	360	2249	625	3539	983
NOVA-B-2-1-800x300-R1-H-ZN	520	144	948	263	1512	420
NOVA-B-2-1-800x300-R1-V-ZN	520	144	948	263	1512	420
NOVA-B-1-1-800x400-H-ZN	1600	444	3029	842	5116	1421
NOVA-B-1-1-800x400-V-ZN	1545	429	2936	816	4948	1374
NOVA-B-1-1-800x400-R1-H-ZN	603	167	1133	315	1912	531
NOVA-B-1-1-800x400-R1-V-ZN	591	164	1100	306	1846	513
NOVA-B-2-1-800x400-H-ZN	1345	374	2562	712	4342	1206
NOVA-B-2-1-800x400-V-ZN	1345	374	2562	712	4342	1206
NOVA-B-2-1-800x400-R1-H-ZN	521	145	980	272	1625	451
NOVA-B-2-1-800x400-R1-V-ZN	521	145	980	272	1625	451
NOVA-B-1-1-800x500-H-ZN	1517	421	3202	889	5899	1639

Item	20 dB(A)		25 dB(A)		30 dB(A)	
	m <sup>3</sup> /h	l/s	m <sup>3</sup> /h	l/s	m <sup>3</sup> /h	l/s
NOVA-B-1-1-800x500-V-ZN	1459	405	3073	854	5670	1575
NOVA-B-1-1-800x500-R1-H-ZN	479	133	1038	288	1908	530
NOVA-B-1-1-800x500-R1-V-ZN	531	148	1037	288	1836	510
NOVA-B-2-1-800x500-H-ZN	1244	345	2642	734	4876	1354
NOVA-B-2-1-800x500-V-ZN	1244	345	2642	734	4876	1354
NOVA-B-2-1-800x500-R1-H-ZN	428	119	890	247	1592	442
NOVA-B-2-1-800x500-R1-V-ZN	428	119	890	247	1592	442
NOVA-B-1-1-1000x100-H-ZN	861	239	1284	357	1781	495
NOVA-B-1-1-1000x100-V-ZN	846	235	1260	350	1741	484
NOVA-B-1-1-1000x100-R1-H-ZN	411	114	650	180	932	259
NOVA-B-1-1-1000x100-R1-V-ZN	401	111	627	174	903	251
NOVA-B-2-1-1000x100-H-ZN	766	213	1154	321	1612	448
NOVA-B-2-1-1000x100-V-ZN	766	213	1154	321	1612	448
NOVA-B-2-1-1000x100-R1-H-ZN	365	101	572	159	822	228
NOVA-B-2-1-1000x100-R1-V-ZN	365	101	572	159	822	228
NOVA-B-1-1-1000x150-H-ZN	1170	325	1832	509	2659	739
NOVA-B-1-1-1000x150-V-ZN	1146	318	1794	498	2592	720
NOVA-B-1-1-1000x150-R1-H-ZN	542	151	869	241	1285	357
NOVA-B-1-1-1000x150-R1-V-ZN	522	145	858	238	1270	353
NOVA-B-2-1-1000x150-H-ZN	1030	286	1628	452	2372	659
NOVA-B-2-1-1000x150-V-ZN	1030	286	1628	452	2372	659
NOVA-B-2-1-1000x150-R1-H-ZN	477	133	772	214	1137	316
NOVA-B-2-1-1000x150-R1-V-ZN	477	133	772	214	1137	316
NOVA-B-1-1-1000x200-H-ZN	1440	400	2339	650	3469	963
NOVA-B-1-1-1000x200-V-ZN	1397	388	2276	632	3387	941
NOVA-B-1-1-1000x200-R1-H-ZN	624	173	1048	291	1598	444
NOVA-B-1-1-1000x200-R1-V-ZN	615	171	1018	283	1542	428
NOVA-B-2-1-1000x200-H-ZN	1240	345	2043	567	3075	854
NOVA-B-2-1-1000x200-V-ZN	1240	345	2043	567	3075	854
NOVA-B-2-1-1000x200-R1-H-ZN	566	157	913	254	1380	383
NOVA-B-2-1-1000x200-R1-V-ZN	566	157	913	254	1380	383
NOVA-B-1-1-1000x300-H-ZN	1736	482	3101	862	4971	1381
NOVA-B-1-1-1000x300-V-ZN	1671	464	2994	832	4831	1342
NOVA-B-1-1-1000x300-R1-H-ZN	641	178	1238	344	2043	567
NOVA-B-1-1-1000x300-R1-V-ZN	665	185	1209	336	1946	541
NOVA-B-2-1-1000x300-H-ZN	1474	410	2661	739	4293	1192
NOVA-B-2-1-1000x300-V-ZN	1474	410	2661	739	4293	1192
NOVA-B-2-1-1000x300-R1-H-ZN	572	159	1057	294	1744	485
NOVA-B-2-1-1000x300-R1-V-ZN	572	159	1057	294	1744	485

Item	20 dB(A)		25 dB(A)		30 dB(A)	
	m <sup>3</sup> /h	l/s	m <sup>3</sup> /h	l/s	m <sup>3</sup> /h	l/s
NOVA-B-1-1-1000x400-H-ZN	1783	495	3538	983	6192	1720
NOVA-B-1-1-1000x400-V-ZN	1717	477	3405	946	5974	1659
NOVA-B-1-1-1000x400-R1-H-ZN	651	181	1263	351	2172	603
NOVA-B-1-1-1000x400-R1-V-ZN	529	147	1184	329	2113	587
NOVA-B-2-1-1000x400-H-ZN	1483	412	2960	822	5198	1444
NOVA-B-2-1-1000x400-V-ZN	1483	412	2960	822	5198	1444
NOVA-B-2-1-1000x400-R1-H-ZN	535	149	1053	293	1835	510
NOVA-B-2-1-1000x400-R1-V-ZN	535	149	1053	293	1835	510
NOVA-B-1-1-1000x500-H-ZN	1641	456	3635	1010	7029	1953
NOVA-B-1-1-1000x500-V-ZN	1558	433	3501	972	6749	1875
NOVA-B-1-1-1000x500-R1-H-ZN	495	137	1105	307	2105	585
NOVA-B-1-1-1000x500-R1-V-ZN	480	133	1072	298	2026	563
NOVA-B-2-1-1000x500-H-ZN	1322	367	2969	825	5732	1592
NOVA-B-2-1-1000x500-V-ZN	1322	367	2969	825	5732	1592
NOVA-B-2-1-1000x500-R1-H-ZN	472	131	962	267	1751	486
NOVA-B-2-1-1000x500-R1-V-ZN	472	131	962	267	1751	486
NOVA-B-1-1-1200x100-H-ZN	995	276	1511	420	2120	589
NOVA-B-1-1-1200x100-V-ZN	954	265	1467	408	2090	581
NOVA-B-1-1-1200x100-R1-H-ZN	459	128	732	203	1072	298
NOVA-B-1-1-1200x100-R1-V-ZN	446	124	726	202	1057	294
NOVA-B-2-1-1200x100-H-ZN	866	241	1339	372	1917	532
NOVA-B-2-1-1200x100-V-ZN	866	241	1339	372	1917	532
NOVA-B-2-1-1200x100-R1-H-ZN	415	115	645	179	929	258
NOVA-B-2-1-1200x100-R1-V-ZN	415	115	645	179	929	258
NOVA-B-1-1-1200x150-H-ZN	1353	376	2154	598	3144	873
NOVA-B-1-1-1200x150-V-ZN	1320	367	2102	584	3069	852
NOVA-B-1-1-1200x150-R1-H-ZN	602	167	990	275	1481	411
NOVA-B-1-1-1200x150-R1-V-ZN	598	166	952	264	1420	395
NOVA-B-2-1-1200x150-H-ZN	1168	325	1889	525	2804	779
NOVA-B-2-1-1200x150-V-ZN	1168	325	1889	525	2804	779
NOVA-B-2-1-1200x150-R1-H-ZN	526	146	872	242	1306	363
NOVA-B-2-1-1200x150-R1-V-ZN	526	146	872	242	1306	363
NOVA-B-1-1-1200x200-H-ZN	1631	453	2718	755	4113	1143
NOVA-B-1-1-1200x200-V-ZN	1572	437	2632	731	4016	1116
NOVA-B-1-1-1200x200-R1-H-ZN	672	187	1182	328	1847	513
NOVA-B-1-1-1200x200-R1-V-ZN	656	182	1151	320	1785	496
NOVA-B-2-1-1200x200-H-ZN	1405	390	2371	658	3619	1005
NOVA-B-2-1-1200x200-V-ZN	1405	390	2371	658	3619	1005
NOVA-B-2-1-1200x200-R1-H-ZN	601	167	1030	286	1588	441

Item	20 dB(A)		25 dB(A)		30 dB(A)	
	m <sup>3</sup> /h	l/s	m <sup>3</sup> /h	l/s	m <sup>3</sup> /h	l/s
NOVA-B-2-1-1200x200-R1-V-ZN	601	167	1030	286	1588	441
NOVA-B-1-1-1200x300-H-ZN	1924	534	3547	985	5853	1626
NOVA-B-1-1-1200x300-V-ZN	1858	516	3438	955	5672	1576
NOVA-B-1-1-1200x300-R1-H-ZN	761	211	1380	383	2254	626
NOVA-B-1-1-1200x300-R1-V-ZN	679	189	1327	369	2202	612
NOVA-B-2-1-1200x300-H-ZN	1625	451	3024	840	5009	1391
NOVA-B-2-1-1200x300-V-ZN	1625	451	3024	840	5009	1391
NOVA-B-2-1-1200x300-R1-H-ZN	669	186	1183	328	1930	536
NOVA-B-2-1-1200x300-R1-V-ZN	669	186	1183	328	1930	536
NOVA-B-1-1-1200x400-H-ZN	1935	537	3984	1107	7210	2003
NOVA-B-1-1-1200x400-V-ZN	1862	517	3829	1064	6941	1928
NOVA-B-1-1-1200x400-R1-H-ZN	641	178	1327	369	2405	668
NOVA-B-1-1-1200x400-R1-V-ZN	626	174	1300	361	2319	644
NOVA-B-2-1-1200x400-H-ZN	1595	443	3307	919	5994	1665
NOVA-B-2-1-1200x400-V-ZN	1595	443	3307	919	5994	1665
NOVA-B-2-1-1200x400-R1-H-ZN	609	169	1177	327	2022	562
NOVA-B-2-1-1200x400-R1-V-ZN	609	169	1177	327	2022	562
NOVA-B-1-1-1200x500-H-ZN	1701	472	4033	1120	8096	2249
NOVA-B-1-1-1200x500-V-ZN	1635	454	3849	1069	7733	2148
NOVA-B-1-1-1200x500-R1-H-ZN	502	139	1157	321	2267	630
NOVA-B-1-1-1200x500-R1-V-ZN	494	137	1127	313	2181	606
NOVA-B-2-1-1200x500-H-ZN	1392	387	3234	898	6491	1803
NOVA-B-2-1-1200x500-V-ZN	1392	387	3234	898	6491	1803
NOVA-B-2-1-1200x500-R1-H-ZN	449	125	969	269	1854	515
NOVA-B-2-1-1200x500-R1-V-ZN	449	125	969	269	1854	515
NOVA-B-1-1-225x75-H-ZN	196	54	249	69	301	84
NOVA-B-1-1-225x75-V-ZN	191	53	245	68	301	84
NOVA-B-1-1-225x75-R1-H-ZN	125	35	166	46	206	57
NOVA-B-1-1-225x75-R1-V-ZN	114	32	154	43	198	55
NOVA-B-2-1-225x75-H-ZN	182	51	233	65	285	79
NOVA-B-2-1-225x75-V-ZN	182	51	233	65	285	79
NOVA-B-2-1-225x75-R1-H-ZN	112	31	150	42	190	53
NOVA-B-2-1-225x75-R1-V-ZN	112	31	150	42	190	53
NOVA-B-1-1-225x125-H-ZN	312	87	407	113	507	141
NOVA-B-1-1-225x125-V-ZN	311	86	402	112	496	138
NOVA-B-1-1-225x125-R1-H-ZN	185	51	253	70	327	91
NOVA-B-1-1-225x125-R1-V-ZN	186	52	252	70	322	89
NOVA-B-2-1-225x125-H-ZN	287	80	379	105	476	132
NOVA-B-2-1-225x125-V-ZN	287	80	379	105	476	132

Item	20 dB(A)		25 dB(A)		30 dB(A)	
	m <sup>3</sup> /h	l/s	m <sup>3</sup> /h	l/s	m <sup>3</sup> /h	l/s
NOVA-B-2-1-225x125-R1-H-ZN	166	46	227	63	295	82
NOVA-B-2-1-225x125-R1-V-ZN	166	46	227	63	295	82
NOVA-B-1-1-225x225-H-ZN	520	144	707	196	908	252
NOVA-B-1-1-225x225-V-ZN	511	142	695	193	894	248
NOVA-B-1-1-225x225-R1-H-ZN	280	78	405	113	545	152
NOVA-B-1-1-225x225-R1-V-ZN	265	74	383	106	523	145
NOVA-B-2-1-225x225-H-ZN	471	131	650	180	845	235
NOVA-B-2-1-225x225-V-ZN	471	131	650	180	845	235
NOVA-B-2-1-225x225-R1-H-ZN	250	70	366	102	495	137
NOVA-B-2-1-225x225-R1-V-ZN	250	70	366	102	495	137
NOVA-B-1-1-325x75-H-ZN	268	74	351	97	438	122
NOVA-B-1-1-325x75-V-ZN	267	74	347	96	428	119
NOVA-B-1-1-325x75-R1-H-ZN	163	45	226	63	288	80
NOVA-B-1-1-325x75-R1-V-ZN	152	42	210	58	274	76
NOVA-B-2-1-325x75-H-ZN	247	69	327	91	410	114
NOVA-B-2-1-325x75-V-ZN	247	69	327	91	410	114
NOVA-B-2-1-325x75-R1-H-ZN	144	40	199	55	257	71
NOVA-B-2-1-325x75-R1-V-ZN	144	40	199	55	257	71
NOVA-B-1-1-325x125-H-ZN	424	118	573	159	735	204
NOVA-B-1-1-325x125-V-ZN	422	117	565	157	718	199
NOVA-B-1-1-325x125-R1-H-ZN	231	64	325	90	436	121
NOVA-B-1-1-325x125-R1-V-ZN	228	63	325	90	436	121
NOVA-B-2-1-325x125-H-ZN	391	109	530	147	680	189
NOVA-B-2-1-325x125-V-ZN	391	109	530	147	680	189
NOVA-B-2-1-325x125-R1-H-ZN	210	58	297	83	398	111
NOVA-B-2-1-325x125-R1-V-ZN	210	58	297	83	398	111
NOVA-B-1-1-325x225-H-ZN	698	194	986	274	1303	362
NOVA-B-1-1-325x225-V-ZN	680	189	966	268	1284	357
NOVA-B-1-1-325x225-R1-H-ZN	345	96	512	142	719	200
NOVA-B-1-1-325x225-R1-V-ZN	345	96	520	144	720	200
NOVA-B-2-1-325x225-H-ZN	613	170	888	247	1208	336
NOVA-B-2-1-325x225-V-ZN	613	170	888	247	1208	336
NOVA-B-2-1-325x225-R1-H-ZN	322	90	492	137	672	187
NOVA-B-2-1-325x225-R1-V-ZN	322	90	492	137	672	187
NOVA-B-1-1-325x325-H-ZN	876	243	1331	370	1871	520
NOVA-B-1-1-325x325-V-ZN	849	236	1298	361	1837	510
NOVA-B-1-1-325x325-R1-H-ZN	409	114	645	179	938	261
NOVA-B-1-1-325x325-R1-V-ZN	397	110	635	176	925	257
NOVA-B-2-1-325x325-H-ZN	763	212	1179	327	1691	470

Item	20 dB(A)		25 dB(A)		30 dB(A)	
	m <sup>3</sup> /h	l/s	m <sup>3</sup> /h	l/s	m <sup>3</sup> /h	l/s
NOVA-B-2-1-325x325-V-ZN	763	212	1179	327	1691	470
NOVA-B-2-1-325x325-R1-H-ZN	359	100	578	161	843	234
NOVA-B-2-1-325x325-R1-V-ZN	359	100	578	161	843	234
NOVA-B-1-1-425x75-H-ZN	337	94	451	125	573	159
NOVA-B-1-1-425x75-V-ZN	332	92	444	123	563	156
NOVA-B-1-1-425x75-R1-H-ZN	187	52	267	74	354	98
NOVA-B-1-1-425x75-R1-V-ZN	179	50	254	71	340	94
NOVA-B-2-1-425x75-H-ZN	309	86	418	116	533	148
NOVA-B-2-1-425x75-V-ZN	309	86	418	116	533	148
NOVA-B-2-1-425x75-R1-H-ZN	170	47	243	68	323	90
NOVA-B-2-1-425x75-R1-V-ZN	170	47	243	68	323	90
NOVA-B-1-1-425x125-H-ZN	539	150	736	204	946	263
NOVA-B-1-1-425x125-V-ZN	526	146	722	201	936	260
NOVA-B-1-1-425x125-R1-H-ZN	276	77	403	112	553	154
NOVA-B-1-1-425x125-R1-V-ZN	278	77	405	113	549	153
NOVA-B-2-1-425x125-H-ZN	489	136	676	188	880	244
NOVA-B-2-1-425x125-V-ZN	489	136	676	188	880	244
NOVA-B-2-1-425x125-R1-H-ZN	247	69	356	99	487	135
NOVA-B-2-1-425x125-R1-V-ZN	247	69	356	99	487	135
NOVA-B-1-1-425x225-H-ZN	845	235	1245	346	1707	474
NOVA-B-1-1-425x225-V-ZN	821	228	1216	338	1679	466
NOVA-B-1-1-425x225-R1-H-ZN	409	114	629	175	897	249
NOVA-B-1-1-425x225-R1-V-ZN	399	111	613	170	876	243
NOVA-B-2-1-425x225-H-ZN	755	210	1124	312	1550	431
NOVA-B-2-1-425x225-V-ZN	755	210	1124	312	1550	431
NOVA-B-2-1-425x225-R1-H-ZN	365	101	560	156	797	221
NOVA-B-2-1-425x225-R1-V-ZN	365	101	560	156	797	221
NOVA-B-1-1-425x325-H-ZN	1052	292	1663	462	2416	671
NOVA-B-1-1-425x325-V-ZN	1008	280	1610	447	2374	660
NOVA-B-1-1-425x325-R1-H-ZN	462	128	776	216	1166	324
NOVA-B-1-1-425x325-R1-V-ZN	454	126	750	208	1124	312
NOVA-B-2-1-425x325-H-ZN	910	253	1462	406	2158	599
NOVA-B-2-1-425x325-V-ZN	910	253	1462	406	2158	599
NOVA-B-2-1-425x325-R1-H-ZN	410	114	676	188	1016	282
NOVA-B-2-1-425x325-R1-V-ZN	410	114	676	188	1016	282
NOVA-B-1-1-425x425-H-ZN	1148	319	1971	548	3057	849
NOVA-B-1-1-425x425-V-ZN	1107	308	1906	529	2978	827
NOVA-B-1-1-425x425-R1-H-ZN	479	133	827	230	1296	360
NOVA-B-1-1-425x425-R1-V-ZN	444	123	803	223	1282	356

Item	20 dB(A)		25 dB(A)		30 dB(A)	
	m <sup>3</sup> /h	l/s	m <sup>3</sup> /h	l/s	m <sup>3</sup> /h	l/s
NOVA-B-2-1-425x425-H-ZN	983	273	1706	474	2668	741
NOVA-B-2-1-425x425-V-ZN	983	273	1706	474	2668	741
NOVA-B-2-1-425x425-R1-H-ZN	407	113	719	200	1133	315
NOVA-B-2-1-425x425-R1-V-ZN	407	113	719	200	1133	315
NOVA-B-1-1-525x75-H-ZN	402	112	548	152	707	196
NOVA-B-1-1-525x75-V-ZN	395	110	539	150	696	193
NOVA-B-1-1-525x75-R1-H-ZN	223	62	322	90	428	119
NOVA-B-1-1-525x75-R1-V-ZN	206	57	298	83	407	113
NOVA-B-2-1-525x75-H-ZN	368	102	506	140	655	182
NOVA-B-2-1-525x75-V-ZN	368	102	506	140	655	182
NOVA-B-2-1-525x75-R1-H-ZN	194	54	282	78	381	106
NOVA-B-2-1-525x75-R1-V-ZN	194	54	282	78	381	106
NOVA-B-1-1-525x125-H-ZN	631	175	890	247	1177	327
NOVA-B-1-1-525x125-V-ZN	618	172	873	242	1157	321
NOVA-B-1-1-525x125-R1-H-ZN	316	88	469	130	655	182
NOVA-B-1-1-525x125-R1-V-ZN	317	88	475	132	655	182
NOVA-B-2-1-525x125-H-ZN	567	157	809	225	1084	301
NOVA-B-2-1-525x125-V-ZN	567	157	809	225	1084	301
NOVA-B-2-1-525x125-R1-H-ZN	292	81	439	122	604	168
NOVA-B-2-1-525x125-R1-V-ZN	292	81	439	122	604	168
NOVA-B-1-1-525x225-H-ZN	993	276	1497	416	2089	580
NOVA-B-1-1-525x225-V-ZN	963	267	1461	406	2053	570
NOVA-B-1-1-525x225-R1-H-ZN	466	129	720	200	1043	290
NOVA-B-1-1-525x225-R1-V-ZN	446	124	730	203	1063	295
NOVA-B-2-1-525x225-H-ZN	864	240	1329	369	1894	526
NOVA-B-2-1-525x225-V-ZN	864	240	1329	369	1894	526
NOVA-B-2-1-525x225-R1-H-ZN	408	113	651	181	948	263
NOVA-B-2-1-525x225-R1-V-ZN	408	113	651	181	948	263
NOVA-B-1-1-525x325-H-ZN	1192	331	1962	545	2961	823
NOVA-B-1-1-525x325-V-ZN	1166	324	1918	533	2880	800
NOVA-B-1-1-525x325-R1-H-ZN	514	143	878	244	1347	374
NOVA-B-1-1-525x325-R1-V-ZN	512	142	849	236	1294	359
NOVA-B-2-1-525x325-H-ZN	1035	288	1717	477	2606	724
NOVA-B-2-1-525x325-V-ZN	1035	288	1717	477	2606	724
NOVA-B-2-1-525x325-R1-H-ZN	460	128	766	213	1167	324
NOVA-B-2-1-525x325-R1-V-ZN	460	128	766	213	1167	324
NOVA-B-1-1-525x425-H-ZN	1287	358	2299	639	3700	1028
NOVA-B-1-1-525x425-V-ZN	1243	345	2225	618	3591	997
NOVA-B-1-1-525x425-R1-H-ZN	543	151	926	257	1475	410



Item	20 dB(A)		25 dB(A)		30 dB(A)	
	m <sup>3</sup> /h	l/s	m <sup>3</sup> /h	l/s	m <sup>3</sup> /h	l/s
NOVA-B-1-1-525x425-R1-V-ZN	482	134	895	249	1455	404
NOVA-B-2-1-525x425-H-ZN	1093	304	1969	547	3191	886
NOVA-B-2-1-525x425-V-ZN	1093	304	1969	547	3191	886
NOVA-B-2-1-525x425-R1-H-ZN	429	119	796	221	1289	358
NOVA-B-2-1-525x425-R1-V-ZN	429	119	796	221	1289	358
NOVA-B-1-1-525x525-H-ZN	1261	350	2484	690	4297	1194
NOVA-B-1-1-525x525-V-ZN	1214	337	2385	663	4148	1152
NOVA-B-1-1-525x525-R1-H-ZN	445	124	887	246	1532	425
NOVA-B-1-1-525x525-R1-V-ZN	433	120	856	238	1479	411
NOVA-B-2-1-525x525-H-ZN	1050	292	2076	577	3617	1005
NOVA-B-2-1-525x525-V-ZN	1050	292	2076	577	3617	1005
NOVA-B-2-1-525x525-R1-H-ZN	419	116	771	214	1292	359
NOVA-B-2-1-525x525-R1-V-ZN	419	116	771	214	1292	359
NOVA-B-1-1-625x75-H-ZN	464	129	644	179	840	233
NOVA-B-1-1-625x75-V-ZN	454	126	632	176	828	230
NOVA-B-1-1-625x75-R1-H-ZN	241	67	353	98	484	134
NOVA-B-1-1-625x75-R1-V-ZN	233	65	342	95	470	131
NOVA-B-2-1-625x75-H-ZN	415	115	586	163	780	217
NOVA-B-2-1-625x75-V-ZN	415	115	586	163	780	217
NOVA-B-2-1-625x75-R1-H-ZN	214	59	309	86	426	118
NOVA-B-2-1-625x75-R1-V-ZN	214	59	309	86	426	118
NOVA-B-1-1-625x125-H-ZN	724	201	1040	289	1398	388
NOVA-B-1-1-625x125-V-ZN	703	195	1017	282	1378	383
NOVA-B-1-1-625x125-R1-H-ZN	360	100	543	151	762	212
NOVA-B-1-1-625x125-R1-V-ZN	346	96	523	145	742	206
NOVA-B-2-1-625x125-H-ZN	652	181	946	263	1277	355
NOVA-B-2-1-625x125-V-ZN	652	181	946	263	1277	355
NOVA-B-2-1-625x125-R1-H-ZN	319	89	479	133	675	188
NOVA-B-2-1-625x125-R1-V-ZN	319	89	479	133	675	188
NOVA-B-1-1-625x225-H-ZN	1118	310	1732	481	2478	688
NOVA-B-1-1-625x225-V-ZN	1093	304	1695	471	2421	673
NOVA-B-1-1-625x225-R1-H-ZN	512	142	826	229	1210	336
NOVA-B-1-1-625x225-R1-V-ZN	494	137	807	224	1192	331
NOVA-B-2-1-625x225-H-ZN	978	272	1537	427	2223	617
NOVA-B-2-1-625x225-V-ZN	978	272	1537	427	2223	617
NOVA-B-2-1-625x225-R1-H-ZN	434	121	742	206	1101	306
NOVA-B-2-1-625x225-R1-V-ZN	434	121	742	206	1101	306
NOVA-B-1-1-625x325-H-ZN	1342	373	2263	629	3469	964
NOVA-B-1-1-625x325-V-ZN	1303	362	2205	612	3376	938

Item	20 dB(A)		25 dB(A)		30 dB(A)	
	m <sup>3</sup> /h	l/s	m <sup>3</sup> /h	l/s	m <sup>3</sup> /h	l/s
NOVA-B-1-1-625x325-R1-H-ZN	563	157	974	271	1509	419
NOVA-B-1-1-625x325-R1-V-ZN	547	152	942	262	1471	409
NOVA-B-2-1-625x325-H-ZN	1155	321	1970	547	3040	844
NOVA-B-2-1-625x325-V-ZN	1155	321	1970	547	3040	844
NOVA-B-2-1-625x325-R1-H-ZN	484	134	845	235	1323	367
NOVA-B-2-1-625x325-R1-V-ZN	484	134	845	235	1323	367
NOVA-B-1-1-625x425-H-ZN	1413	393	2614	726	4313	1198
NOVA-B-1-1-625x425-V-ZN	1362	378	2521	700	4180	1161
NOVA-B-1-1-625x425-R1-H-ZN	566	157	1010	280	1656	460
NOVA-B-1-1-625x425-R1-V-ZN	493	137	968	269	1622	451
NOVA-B-2-1-625x425-H-ZN	1190	331	2215	615	3688	1024
NOVA-B-2-1-625x425-V-ZN	1190	331	2215	615	3688	1024
NOVA-B-2-1-625x425-R1-H-ZN	476	132	864	240	1420	395
NOVA-B-2-1-625x425-R1-V-ZN	476	132	864	240	1420	395
NOVA-B-1-1-625x525-H-ZN	1352	376	2763	768	4961	1378
NOVA-B-1-1-625x525-V-ZN	1299	361	2666	740	4782	1328
NOVA-B-1-1-625x525-R1-H-ZN	490	136	954	265	1671	464
NOVA-B-1-1-625x525-R1-V-ZN	434	121	903	251	1616	449
NOVA-B-2-1-625x525-H-ZN	1122	312	2290	636	4127	1146
NOVA-B-2-1-625x525-V-ZN	1122	312	2290	636	4127	1146
NOVA-B-2-1-625x525-R1-H-ZN	405	112	804	223	1406	391
NOVA-B-2-1-625x525-R1-V-ZN	405	112	804	223	1406	391
NOVA-B-1-1-825x75-H-ZN	582	162	829	230	1104	307
NOVA-B-1-1-825x75-V-ZN	559	155	808	225	1097	305
NOVA-B-1-1-825x75-R1-H-ZN	293	81	441	123	613	170
NOVA-B-1-1-825x75-R1-V-ZN	282	78	424	118	594	165
NOVA-B-2-1-825x75-H-ZN	517	144	750	208	1017	282
NOVA-B-2-1-825x75-V-ZN	517	144	750	208	1017	282
NOVA-B-2-1-825x75-R1-H-ZN	257	71	385	107	544	151
NOVA-B-2-1-825x75-R1-V-ZN	257	71	385	107	544	151
NOVA-B-1-1-825x125-H-ZN	892	248	1328	369	1840	511
NOVA-B-1-1-825x125-V-ZN	875	243	1301	361	1800	500
NOVA-B-1-1-825x125-R1-H-ZN	429	119	662	184	949	264
NOVA-B-1-1-825x125-R1-V-ZN	419	116	647	180	928	258
NOVA-B-2-1-825x125-H-ZN	784	218	1186	329	1671	464
NOVA-B-2-1-825x125-V-ZN	784	218	1186	329	1671	464
NOVA-B-2-1-825x125-R1-H-ZN	378	105	596	166	859	239
NOVA-B-2-1-825x125-R1-V-ZN	378	105	596	166	859	239
NOVA-B-1-1-825x225-H-ZN	1348	375	2181	606	3232	898

Item	20 dB(A)		25 dB(A)		30 dB(A)	
	m <sup>3</sup> /h	l/s	m <sup>3</sup> /h	l/s	m <sup>3</sup> /h	l/s
NOVA-B-1-1-825x225-V-ZN	1319	367	2132	592	3148	874
NOVA-B-1-1-825x225-R1-H-ZN	596	165	988	274	1487	413
NOVA-B-1-1-825x225-R1-V-ZN	583	162	956	266	1446	402
NOVA-B-2-1-825x225-H-ZN	1173	326	1917	533	2863	795
NOVA-B-2-1-825x225-V-ZN	1173	326	1917	533	2863	795
NOVA-B-2-1-825x225-R1-H-ZN	505	140	871	242	1324	368
NOVA-B-2-1-825x225-R1-V-ZN	505	140	871	242	1324	368
NOVA-B-1-1-825x325-H-ZN	1575	437	2789	775	4476	1243
NOVA-B-1-1-825x325-V-ZN	1526	424	2706	752	4344	1207
NOVA-B-1-1-825x325-R1-H-ZN	624	173	1137	316	1837	510
NOVA-B-1-1-825x325-R1-V-ZN	642	178	1110	308	1755	487
NOVA-B-2-1-825x325-H-ZN	1352	376	2417	671	3866	1074
NOVA-B-2-1-825x325-V-ZN	1352	376	2417	671	3866	1074
NOVA-B-2-1-825x325-R1-H-ZN	566	157	983	273	1572	437
NOVA-B-2-1-825x325-R1-V-ZN	566	157	983	273	1572	437
NOVA-B-1-1-825x425-H-ZN	1617	449	3169	880	5480	1522
NOVA-B-1-1-825x425-V-ZN	1558	433	3052	848	5291	1470
NOVA-B-1-1-825x425-R1-H-ZN	572	159	1139	316	1964	546
NOVA-B-1-1-825x425-R1-V-ZN	610	170	1118	311	1886	524
NOVA-B-2-1-825x425-H-ZN	1348	374	2663	740	4618	1283
NOVA-B-2-1-825x425-V-ZN	1348	374	2663	740	4618	1283
NOVA-B-2-1-825x425-R1-H-ZN	534	148	990	275	1657	460
NOVA-B-2-1-825x425-R1-V-ZN	534	148	990	275	1657	460
NOVA-B-1-1-825x525-H-ZN	1487	413	3262	906	6194	1721
NOVA-B-1-1-825x525-V-ZN	1425	396	3130	869	5947	1652
NOVA-B-1-1-825x525-R1-H-ZN	466	130	1023	284	1905	529
NOVA-B-1-1-825x525-R1-V-ZN	436	121	964	268	1826	507
NOVA-B-2-1-825x525-H-ZN	1211	336	2666	740	5070	1408
NOVA-B-2-1-825x525-V-ZN	1211	336	2666	740	5070	1408
NOVA-B-2-1-825x525-R1-H-ZN	412	114	870	242	1584	440
NOVA-B-2-1-825x525-R1-V-ZN	412	114	870	242	1584	440
NOVA-B-1-1-1025x75-H-ZN	689	191	1007	280	1369	380
NOVA-B-1-1-1025x75-V-ZN	669	186	983	273	1348	375
NOVA-B-1-1-1025x75-R1-H-ZN	335	93	518	144	734	204
NOVA-B-1-1-1025x75-R1-V-ZN	327	91	510	142	723	201
NOVA-B-2-1-1025x75-H-ZN	611	170	907	252	1250	347
NOVA-B-2-1-1025x75-V-ZN	611	170	907	252	1250	347
NOVA-B-2-1-1025x75-R1-H-ZN	296	82	458	127	652	181
NOVA-B-2-1-1025x75-R1-V-ZN	296	82	458	127	652	181

Item	20 dB(A)		25 dB(A)		30 dB(A)	
	m <sup>3</sup> /h	l/s	m <sup>3</sup> /h	l/s	m <sup>3</sup> /h	l/s
NOVA-B-1-1-1025x125-H-ZN	1060	294	1611	447	2261	628
NOVA-B-1-1-1025x125-V-ZN	1017	282	1564	434	2229	619
NOVA-B-1-1-1025x125-R1-H-ZN	485	135	789	219	1155	321
NOVA-B-1-1-1025x125-R1-V-ZN	478	133	750	208	1098	305
NOVA-B-2-1-1025x125-H-ZN	927	258	1433	398	2043	567
NOVA-B-2-1-1025x125-V-ZN	927	258	1433	398	2043	567
NOVA-B-2-1-1025x125-R1-H-ZN	433	120	684	190	1002	278
NOVA-B-2-1-1025x125-R1-V-ZN	433	120	684	190	1002	278
NOVA-B-1-1-1025x225-H-ZN	1560	433	2605	724	3960	1100
NOVA-B-1-1-1025x225-V-ZN	1501	417	2519	700	3868	1074
NOVA-B-1-1-1025x225-R1-H-ZN	656	182	1137	316	1758	488
NOVA-B-1-1-1025x225-R1-V-ZN	648	180	1101	306	1701	472
NOVA-B-2-1-1025x225-H-ZN	1339	372	2260	628	3480	967
NOVA-B-2-1-1025x225-V-ZN	1339	372	2260	628	3480	967
NOVA-B-2-1-1025x225-R1-H-ZN	578	161	989	275	1529	425
NOVA-B-2-1-1025x225-R1-V-ZN	578	161	989	275	1529	425
NOVA-B-1-1-1025x325-H-ZN	1796	499	3307	919	5421	1506
NOVA-B-1-1-1025x325-V-ZN	1732	481	3197	888	5258	1460
NOVA-B-1-1-1025x325-R1-H-ZN	687	191	1274	354	2110	586
NOVA-B-1-1-1025x325-R1-V-ZN	663	184	1243	345	2039	567
NOVA-B-2-1-1025x325-H-ZN	1513	420	2812	781	4648	1291
NOVA-B-2-1-1025x325-V-ZN	1513	420	2812	781	4648	1291
NOVA-B-2-1-1025x325-R1-H-ZN	600	167	1101	306	1802	501
NOVA-B-2-1-1025x325-R1-V-ZN	600	167	1101	306	1802	501
NOVA-B-1-1-1025x425-H-ZN	1783	495	3641	1011	6571	1825
NOVA-B-1-1-1025x425-V-ZN	1709	475	3527	980	6332	1759
NOVA-B-1-1-1025x425-R1-H-ZN	623	173	1247	346	2207	613
NOVA-B-1-1-1025x425-R1-V-ZN	596	165	1210	336	2130	592
NOVA-B-2-1-1025x425-H-ZN	1471	409	3033	842	5469	1519
NOVA-B-2-1-1025x425-V-ZN	1471	409	3033	842	5469	1519
NOVA-B-2-1-1025x425-R1-H-ZN	485	135	1033	287	1851	514
NOVA-B-2-1-1025x425-R1-V-ZN	485	135	1033	287	1851	514
NOVA-B-1-1-1025x525-H-ZN	1578	438	3670	1019	7316	2032
NOVA-B-1-1-1025x525-V-ZN	1507	419	3512	976	7003	1945
NOVA-B-1-1-1025x525-R1-H-ZN	497	138	1087	302	2081	578
NOVA-B-1-1-1025x525-R1-V-ZN	409	114	1005	279	1989	553
NOVA-B-2-1-1025x525-H-ZN	1267	352	2959	822	5901	1639
NOVA-B-2-1-1025x525-V-ZN	1267	352	2959	822	5901	1639
NOVA-B-2-1-1025x525-R1-H-ZN	353	98	843	234	1675	465

Item	20 dB(A)		25 dB(A)		30 dB(A)	
	m <sup>3</sup> /h	l/s	m <sup>3</sup> /h	l/s	m <sup>3</sup> /h	l/s
NOVA-B-2-1-1025x525-R1-V-ZN	353	98	843	234	1675	465
NOVA-B-1-1-1225x75-H-ZN	795	221	1181	328	1626	452
NOVA-B-1-1-1225x75-V-ZN	762	212	1147	319	1608	447
NOVA-B-1-1-1225x75-R1-H-ZN	374	104	579	161	834	232
NOVA-B-1-1-1225x75-R1-V-ZN	364	101	570	158	823	229
NOVA-B-2-1-1225x75-H-ZN	697	193	1055	293	1480	411
NOVA-B-2-1-1225x75-V-ZN	697	193	1055	293	1480	411
NOVA-B-2-1-1225x75-R1-H-ZN	329	91	523	145	757	210
NOVA-B-2-1-1225x75-R1-V-ZN	329	91	523	145	757	210
NOVA-B-1-1-1225x125-H-ZN	1192	331	1868	519	2701	750
NOVA-B-1-1-1225x125-V-ZN	1164	323	1825	507	2637	732
NOVA-B-1-1-1225x125-R1-H-ZN	542	151	882	245	1311	364
NOVA-B-1-1-1225x125-R1-V-ZN	522	145	875	243	1295	360
NOVA-B-2-1-1225x125-H-ZN	1044	290	1654	459	2412	670
NOVA-B-2-1-1225x125-V-ZN	1044	290	1654	459	2412	670
NOVA-B-2-1-1225x125-R1-H-ZN	487	135	773	215	1141	317
NOVA-B-2-1-1225x125-R1-V-ZN	487	135	773	215	1141	317
NOVA-B-1-1-1225x225-H-ZN	1763	490	3021	839	4660	1294
NOVA-B-1-1-1225x225-V-ZN	1693	470	2916	810	4546	1263
NOVA-B-1-1-1225x225-R1-H-ZN	715	199	1267	352	1999	555
NOVA-B-1-1-1225x225-R1-V-ZN	703	195	1229	342	1933	537
NOVA-B-2-1-1225x225-H-ZN	1497	416	2594	720	4072	1131
NOVA-B-2-1-1225x225-V-ZN	1497	416	2594	720	4072	1131
NOVA-B-2-1-1225x225-R1-H-ZN	643	179	1099	305	1721	478
NOVA-B-2-1-1225x225-R1-V-ZN	643	179	1099	305	1721	478
NOVA-B-1-1-1225x325-H-ZN	1973	548	3758	1044	6347	1763
NOVA-B-1-1-1225x325-V-ZN	1901	528	3619	1005	6139	1705
NOVA-B-1-1-1225x325-R1-H-ZN	759	211	1412	392	2348	652
NOVA-B-1-1-1225x325-R1-V-ZN	756	210	1364	379	2267	630
NOVA-B-2-1-1225x325-H-ZN	1656	460	3161	878	5381	1495
NOVA-B-2-1-1225x325-V-ZN	1656	460	3161	878	5381	1495
NOVA-B-2-1-1225x325-R1-H-ZN	616	171	1185	329	2008	558
NOVA-B-2-1-1225x325-R1-V-ZN	616	171	1185	329	2008	558
NOVA-B-1-1-1225x425-H-ZN	1912	531	4089	1136	7608	2113
NOVA-B-1-1-1225x425-V-ZN	1835	510	3929	1091	7309	2030
NOVA-B-1-1-1225x425-R1-H-ZN	700	194	1364	379	2419	672
NOVA-B-1-1-1225x425-R1-V-ZN	614	171	1275	354	2328	647
NOVA-B-2-1-1225x425-H-ZN	1570	436	3359	933	6259	1739
NOVA-B-2-1-1225x425-V-ZN	1570	436	3359	933	6259	1739

Item	20 dB(A)		25 dB(A)		30 dB(A)	
	m <sup>3</sup> /h	l/s	m <sup>3</sup> /h	l/s	m <sup>3</sup> /h	l/s
NOVA-B-2-1-1225x425-R1-H-ZN	556	154	1122	312	2014	559
NOVA-B-2-1-1225x425-R1-V-ZN	556	154	1122	312	2014	559
NOVA-B-1-1-1225x525-H-ZN	1629	453	4014	1115	8347	2319
NOVA-B-1-1-1225x525-V-ZN	1561	434	3826	1063	7962	2212
NOVA-B-1-1-1225x525-R1-H-ZN	447	124	1070	297	2192	609
NOVA-B-1-1-1225x525-R1-V-ZN	477	132	1076	299	2122	589
NOVA-B-2-1-1225x525-H-ZN	1313	365	3193	887	6632	1842
NOVA-B-2-1-1225x525-V-ZN	1313	365	3193	887	6632	1842
NOVA-B-2-1-1225x525-R1-H-ZN	407	113	910	253	1791	498
NOVA-B-2-1-1225x525-R1-V-ZN	407	113	910	253	1791	498

# Technical Parameters

Diagrams and technical parameters are available at [design.systemair.com](https://design.systemair.com)

# Installation

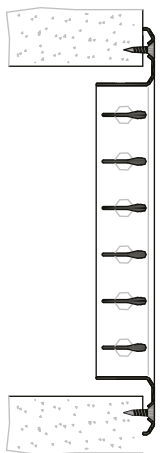
## IMPORTANT:

The mounting frame after installation must not be deformed by external forces (like by mounting into improperly formed and sized installation opening, etc.)

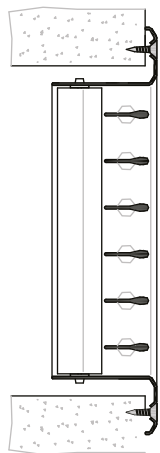
## Mounting

- 1 Screws
- 2 Spring clips
- 3 Safety mounting mechanism (non-standard; available upon request)

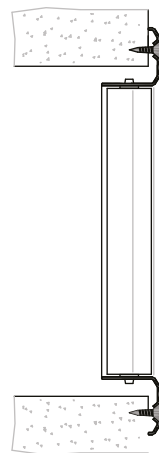
### 1 Screws



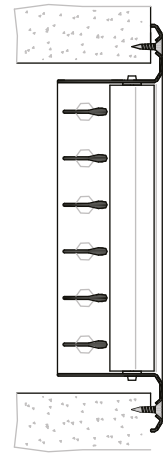
NOVA-B-1-1...H



NOVA-B-2-1...H



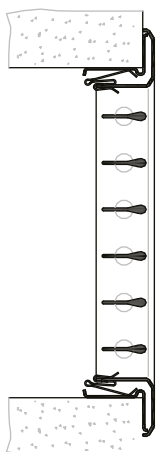
NOVA-B-1-1...V



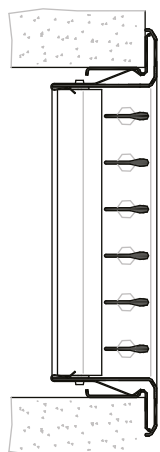
NOVA-B-2-1...V

NOTE: For mounting type "1" it is recommended to reduce the cut-out height dimension H by 10 mm. This helps fixing the grille in proper position.

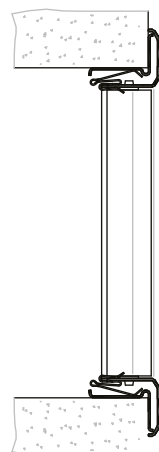
### 2 Spring clips



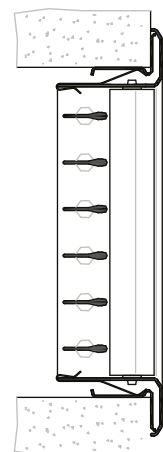
NOVA-B-1-2...H



NOVA-B-2-2...H

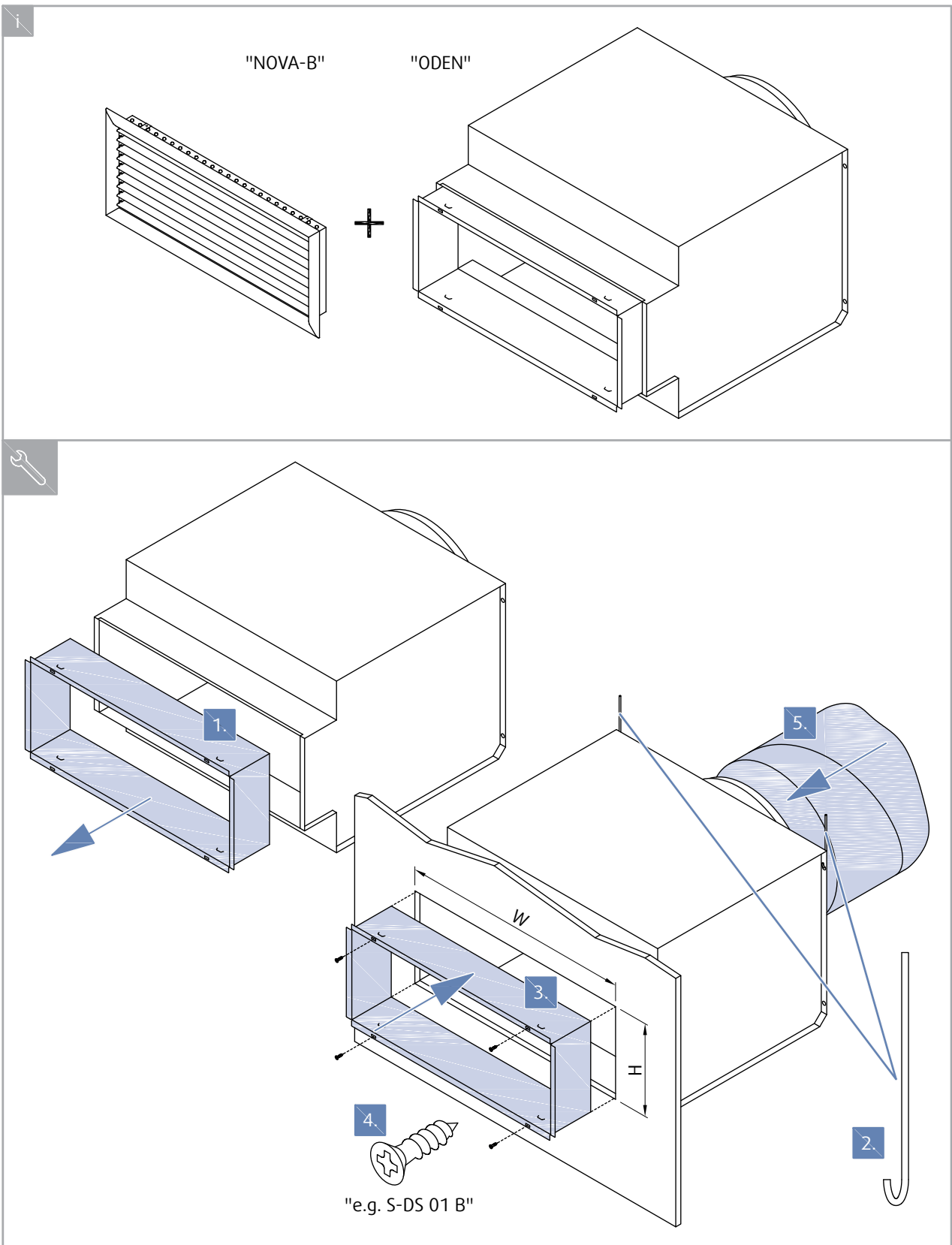


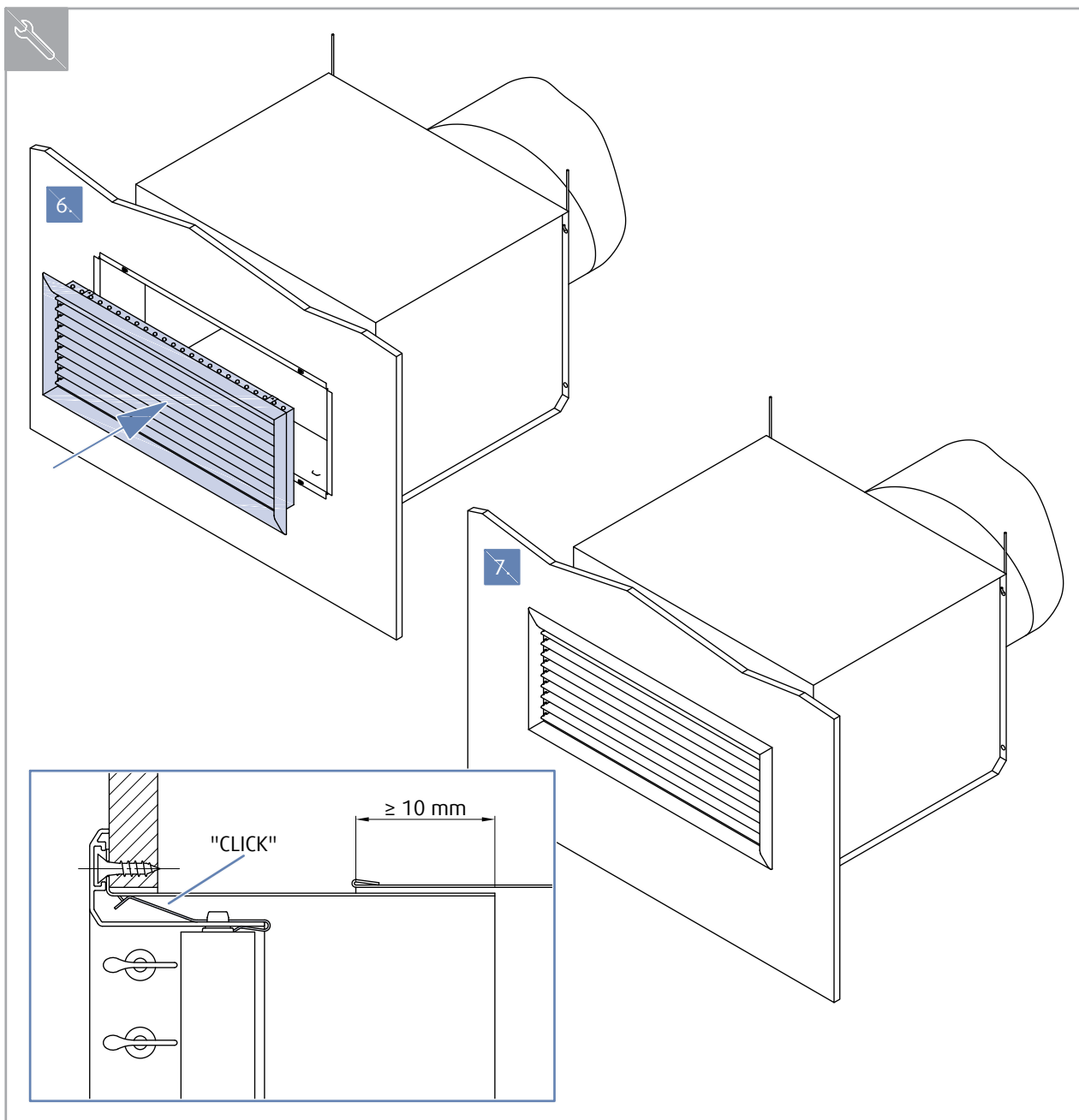
NOVA-B-1-2...V

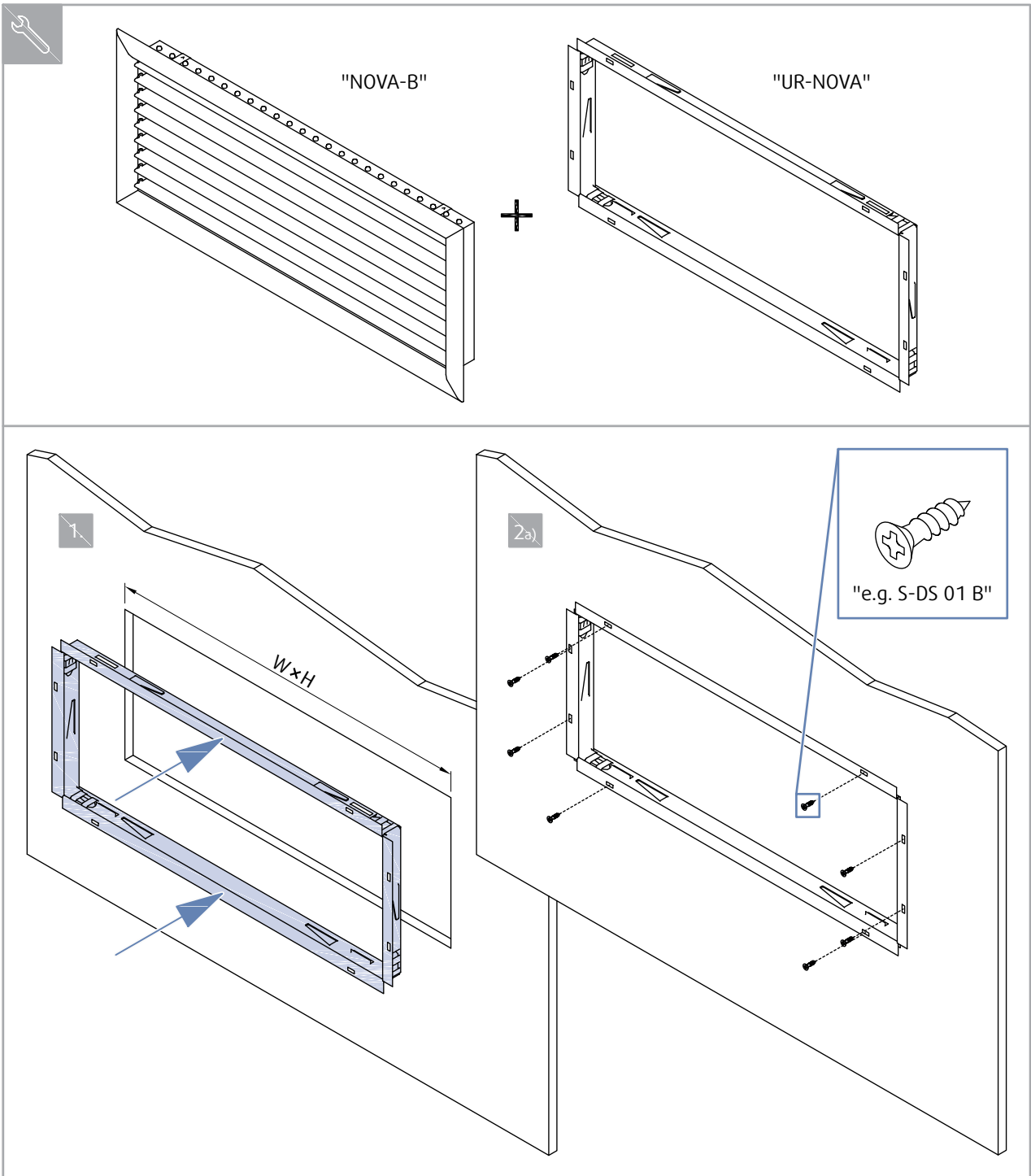


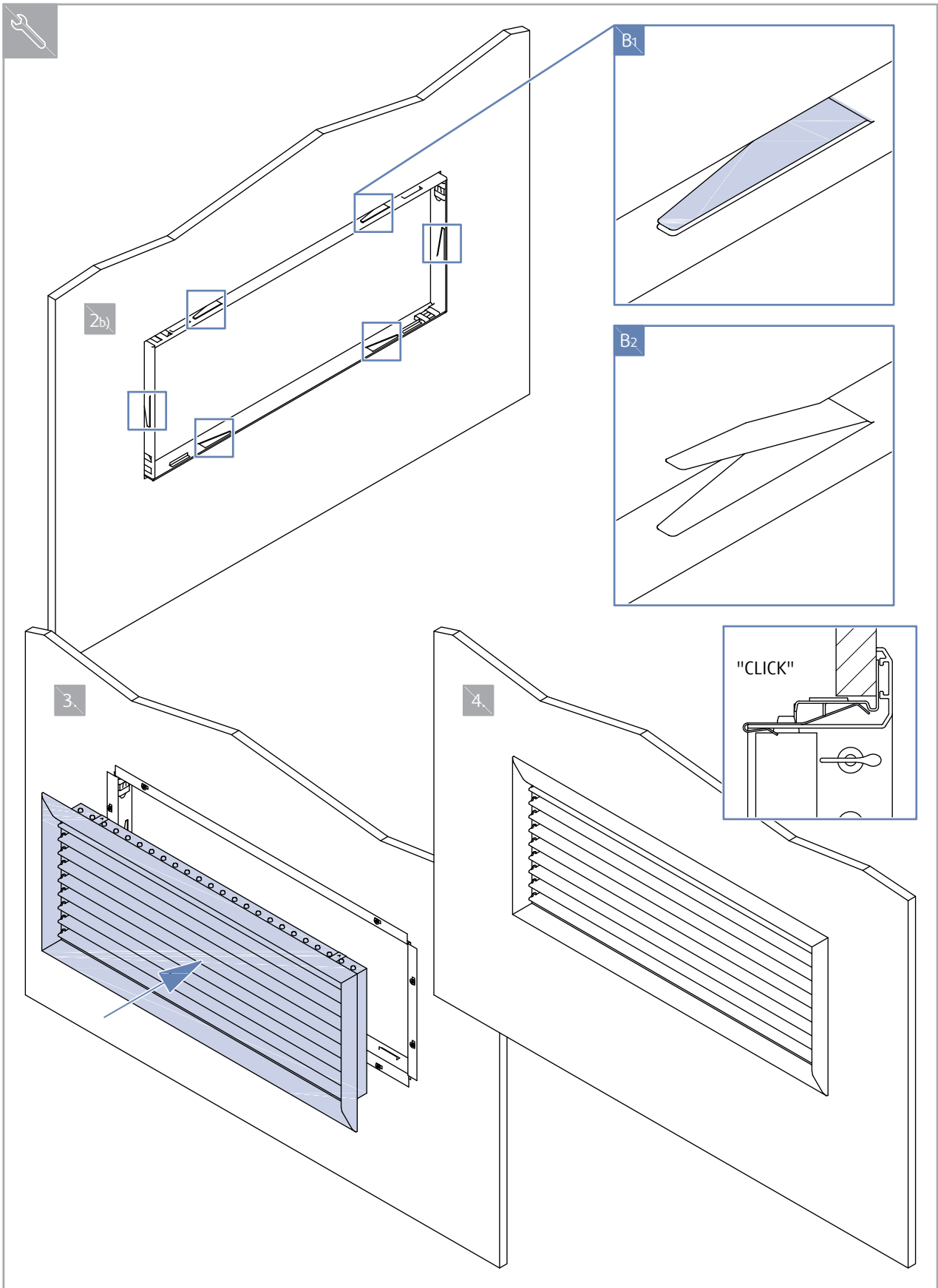
NOVA-B-2-2...V

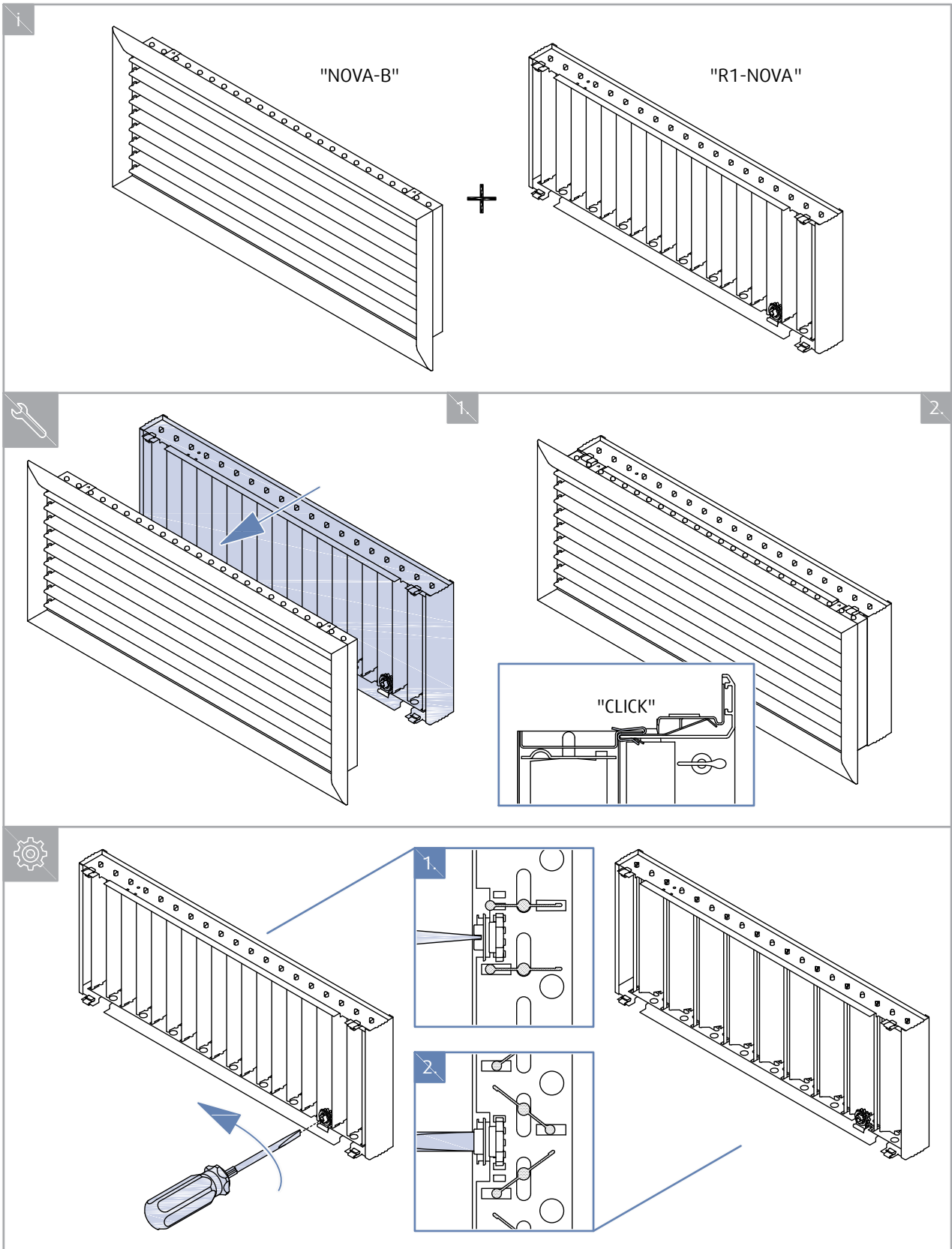




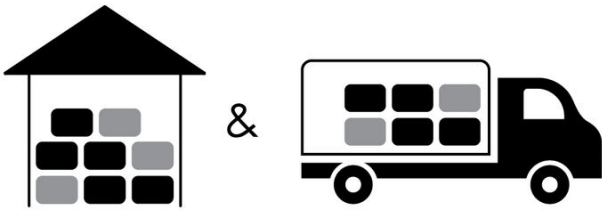









# Transport, Storage and Operation



 °C -40 °C ... +50 °C

 % ≤ 95%



 °C -20 °C ... +70 °C

 % ≤ 95%

# Supplement

Any deviations from the technical specifications contained herein and the terms should be discussed with the manufacturer. We reserve the right to make any changes to the product without prior notice, provided that these changes do not affect the quality of the product and the required parameters.

Current information on all products is available on [design.systemair.com](http://design.systemair.com).

