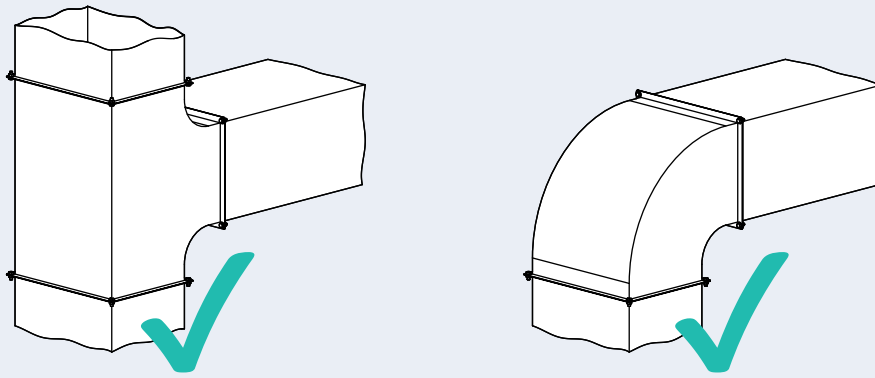


# OPTIMA-S

## REGOLATORI RETTANGOLARI A PORTATA VARIABILE VAV

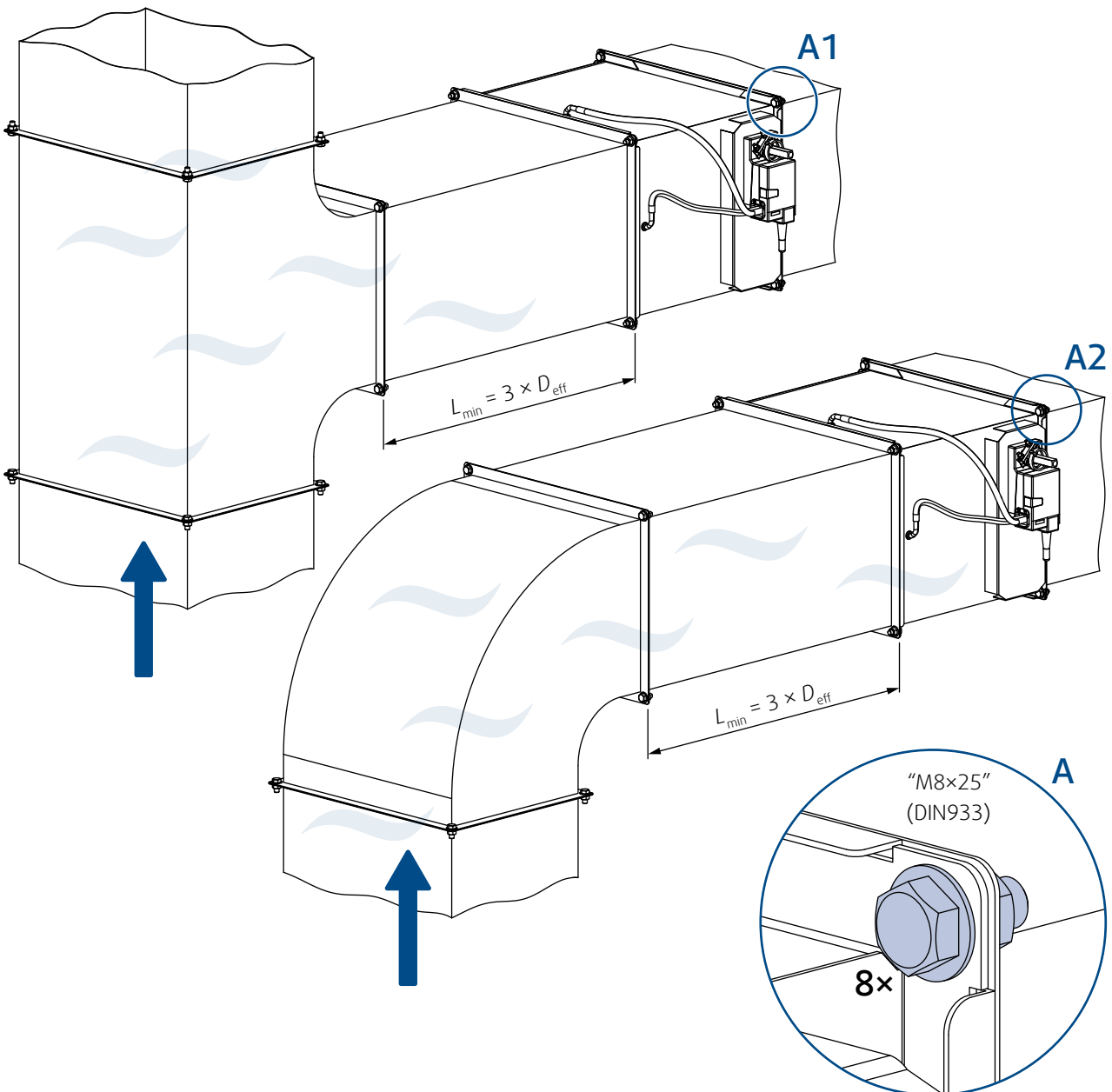
Manuale installazione, uso e manutenzione

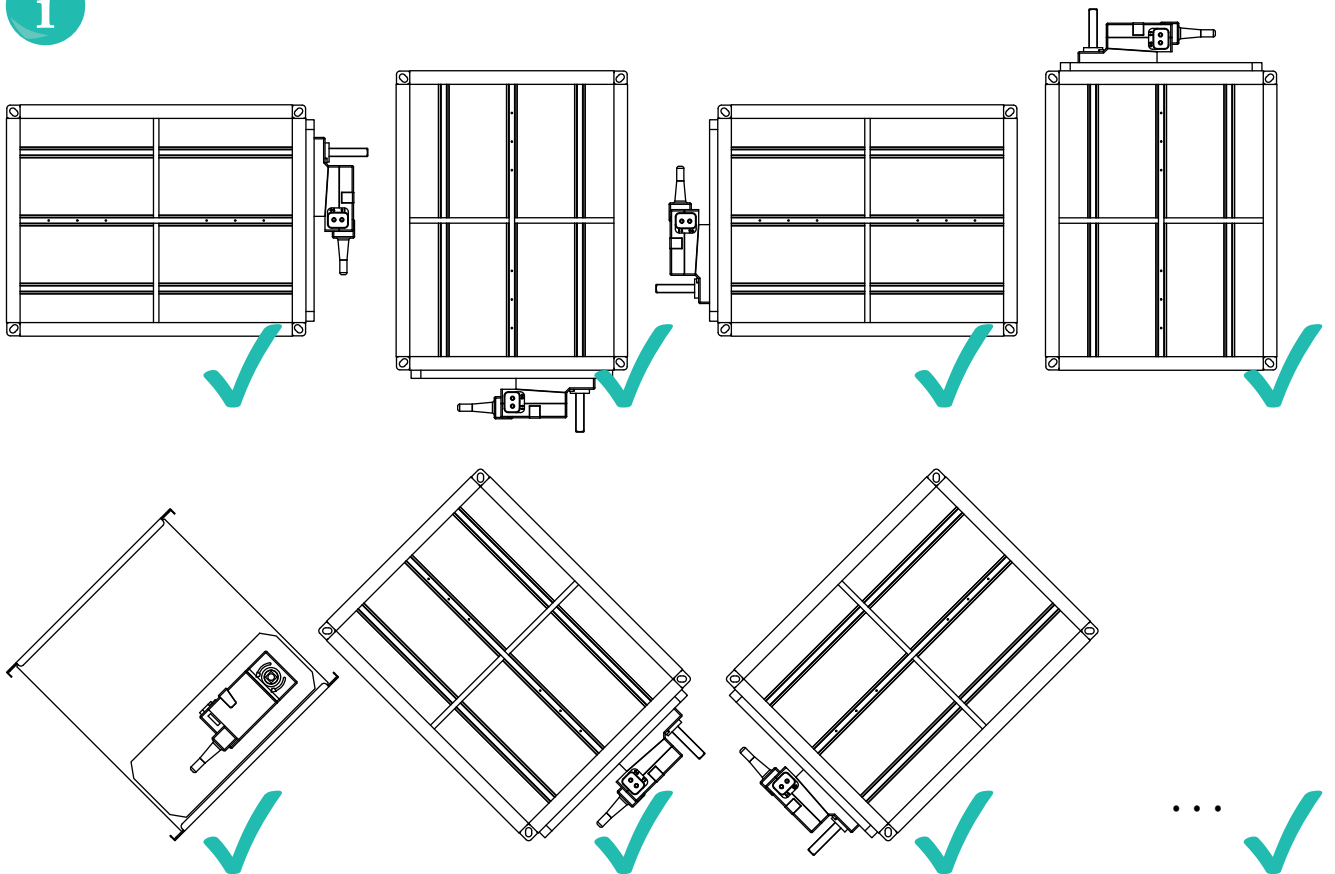
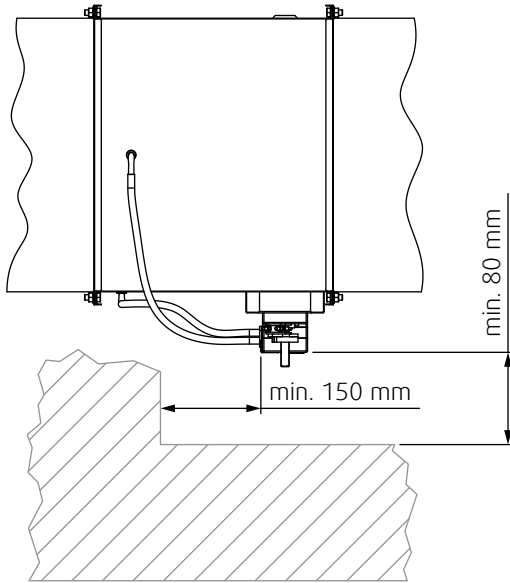


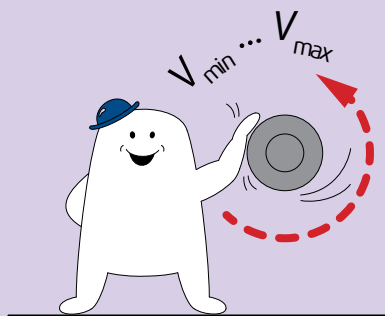


1.

$$D_{\text{eff}} = (2 \times W \times H) / (W + H)$$







OPTIMA-S...

-BLC1

-BLC1MOD

-GO

-BLC4

-BLC1LON

-GOMOD

-BLC1KNX

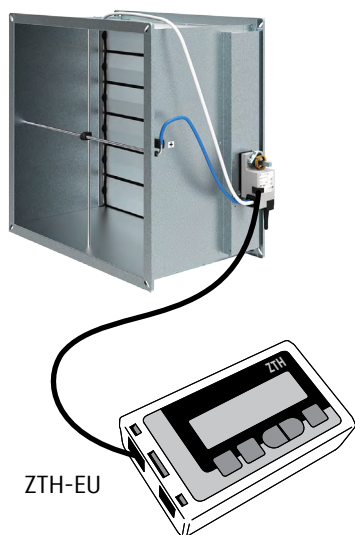
-BLC1

-BLC4

-BLC1MOD

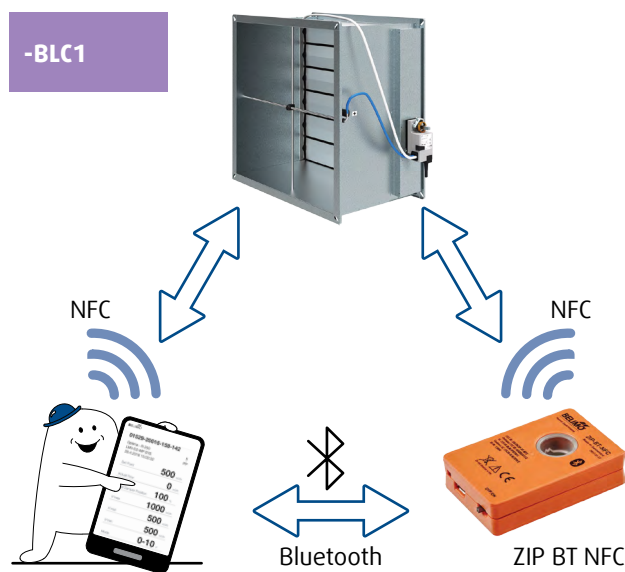
-BLC1LON

-BLC1KNX



ZTH-EU

-BLC1



NFC

NFC

Bluetooth

ZIP BT NFC

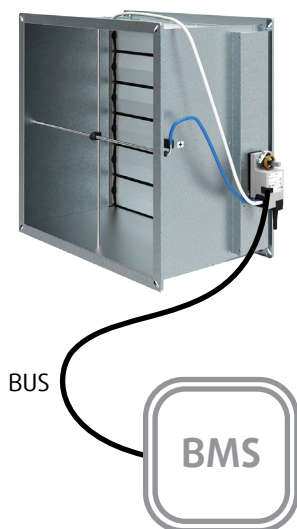
-BLC1MOD

-BLC1LON

-BLC1KNX

-BLC1

-GOMOD

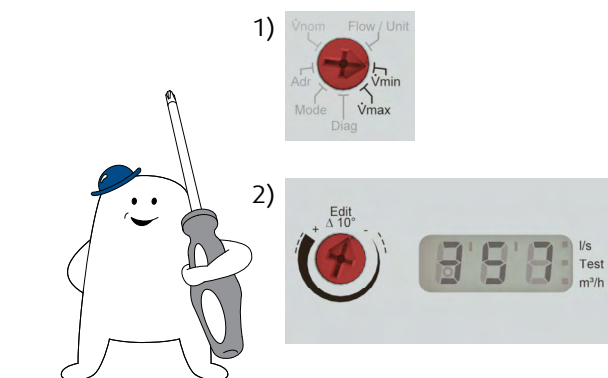


BUS

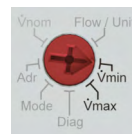
BMS

-GO

-GOMOD



1)



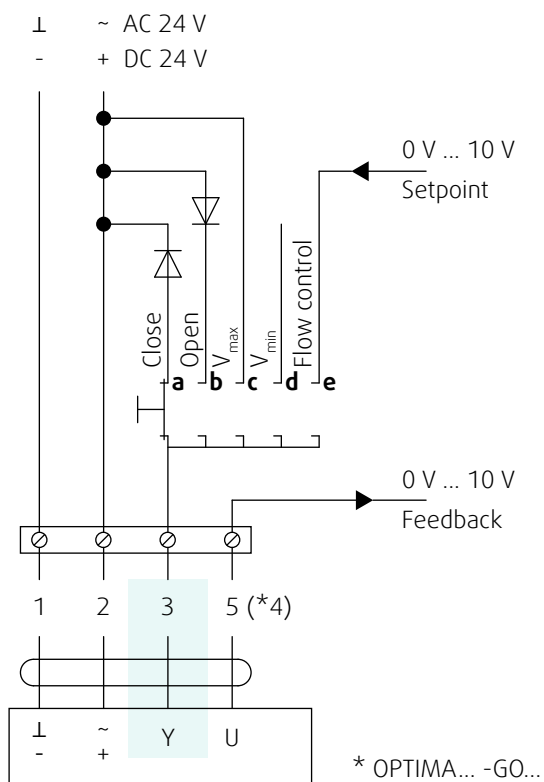
2)



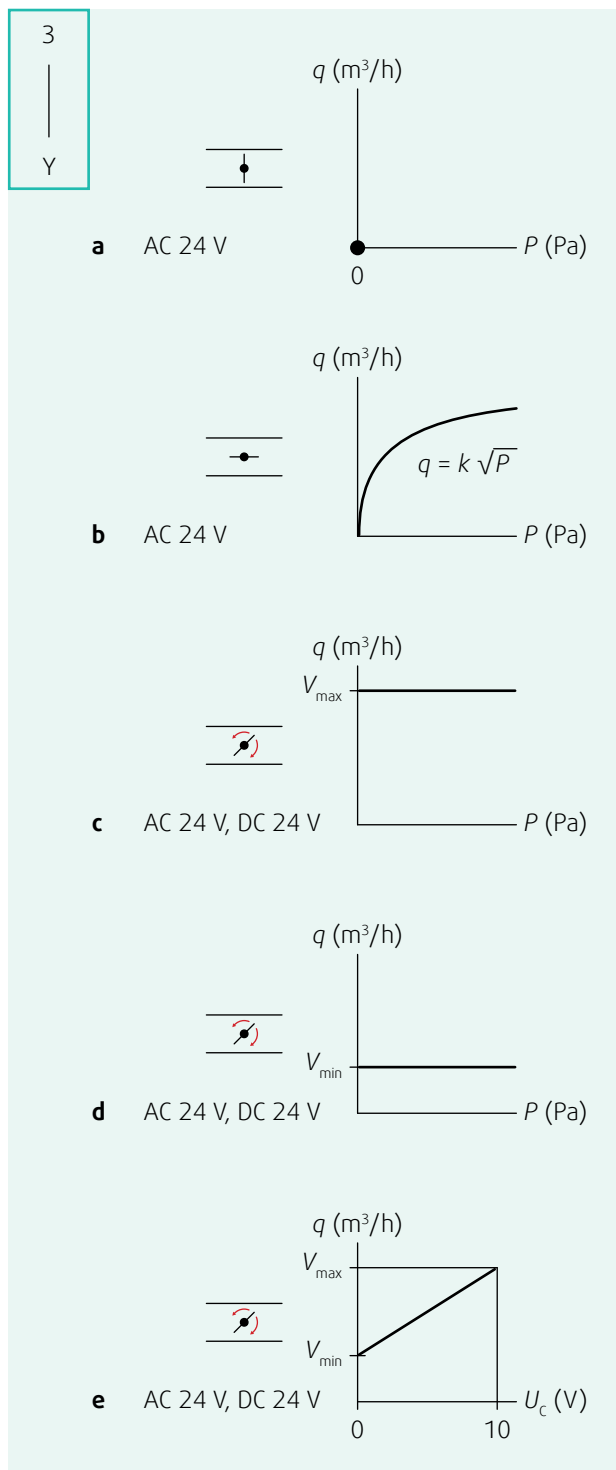
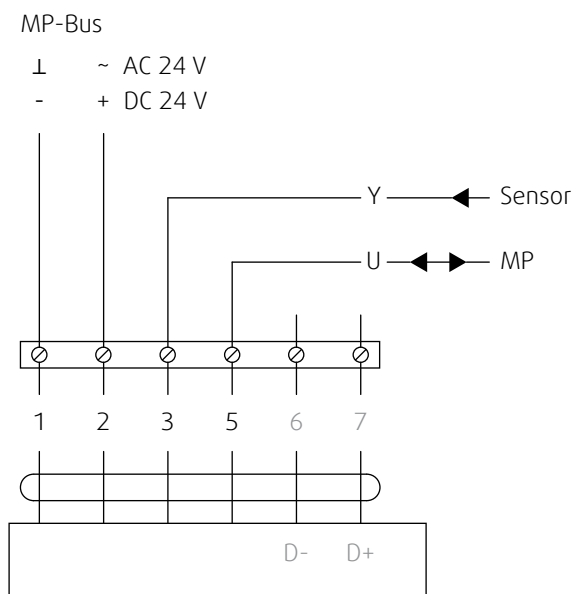


- OPTIMA-S...
- BLC1
- BLC4
- GO

(DC 0 V ... 10 V)



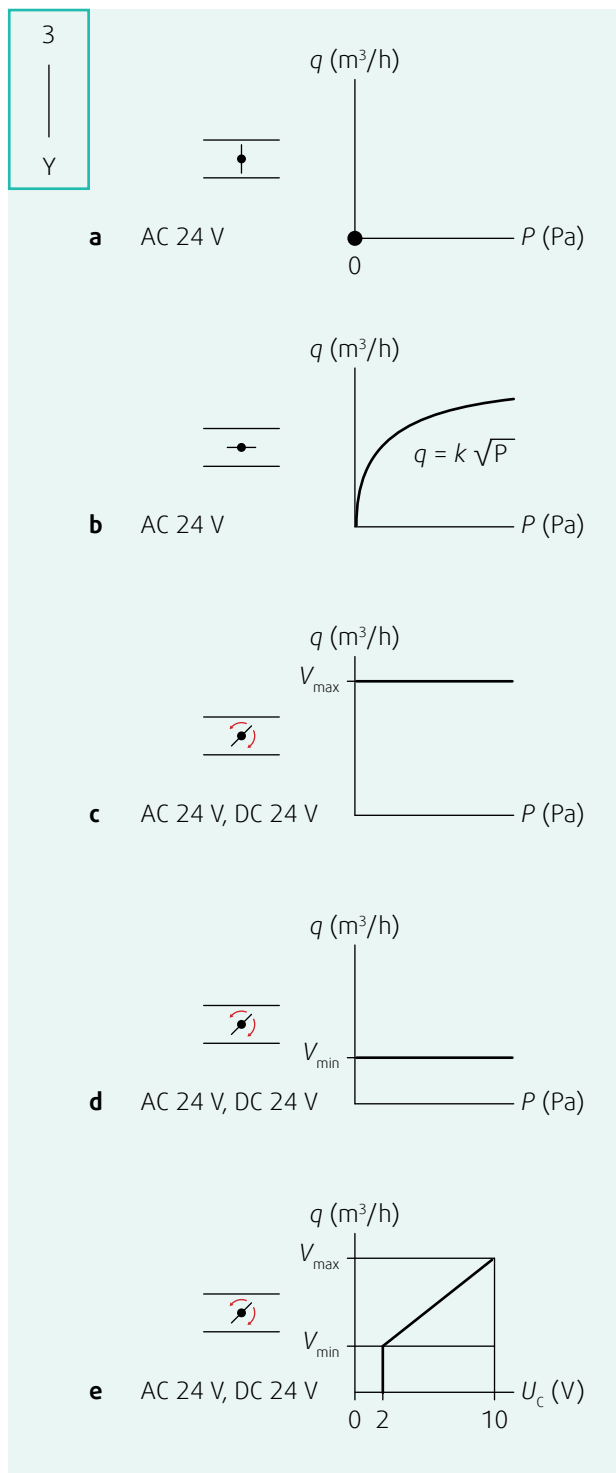
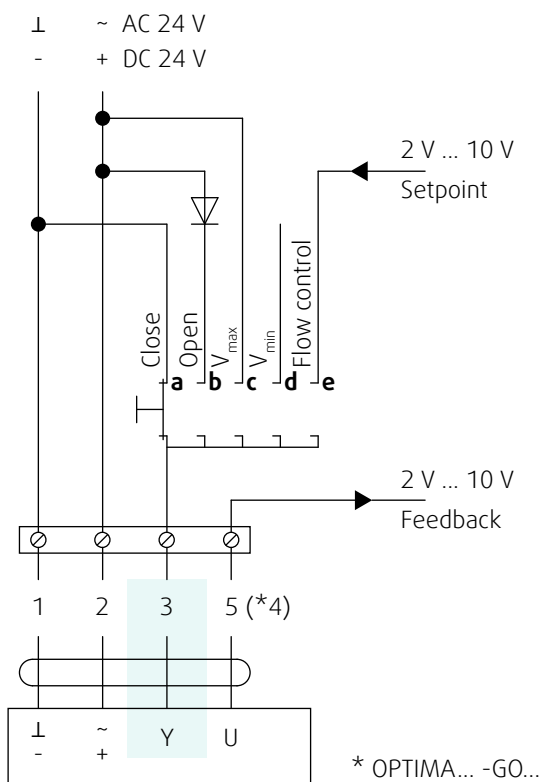
-BLC1





- OPTIMA-S...
- BLC1
- BLC4
- GO

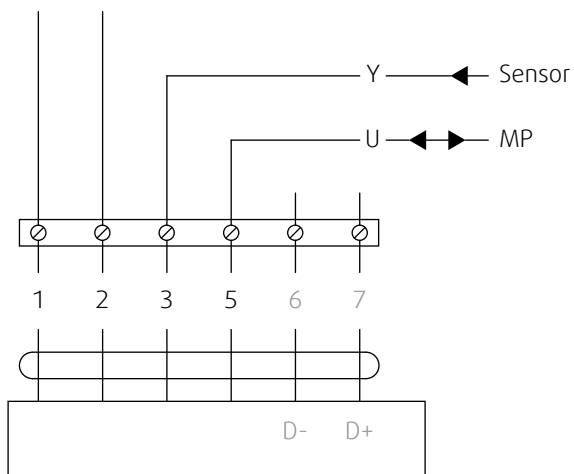
(DC 2 V ... 10 V)



-BLC1

MP-Bus

⊥ ~ AC 24 V  
- + DC 24 V

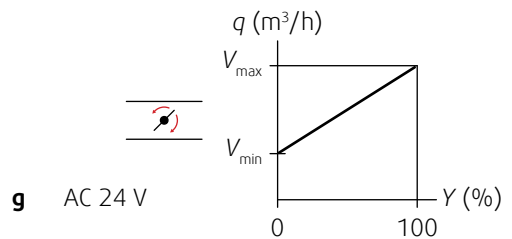
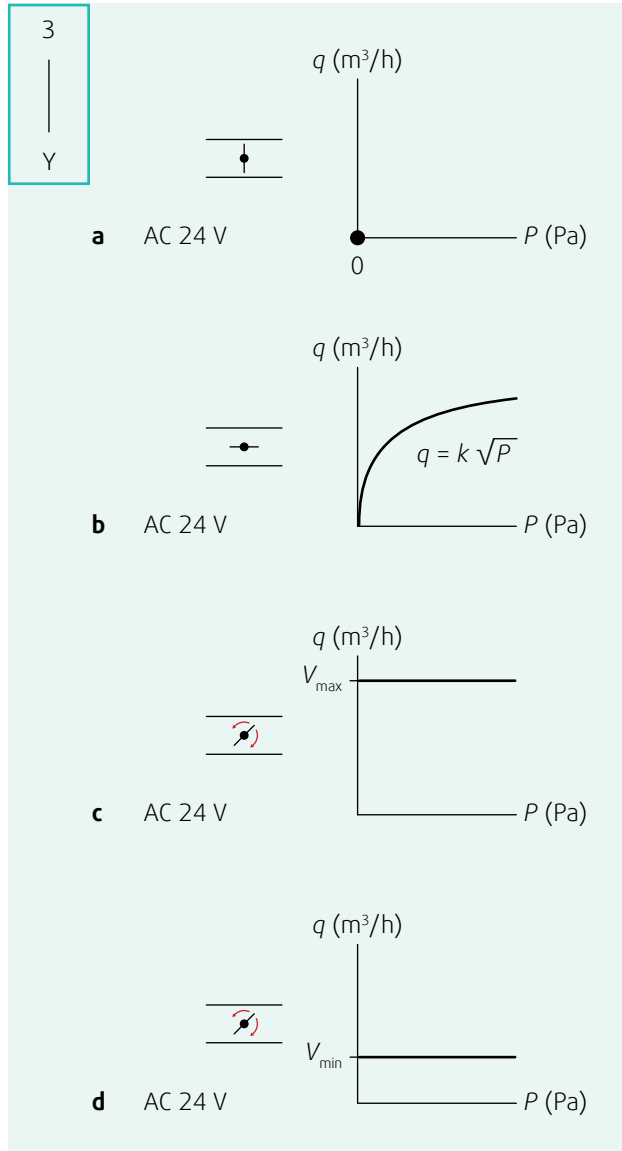
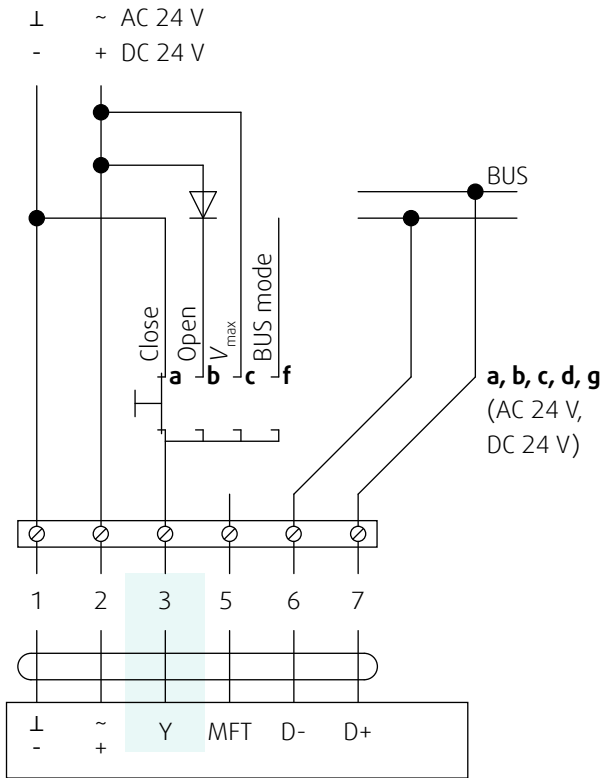




OPTIMA-S...

-BLC1KNX

(BUS)

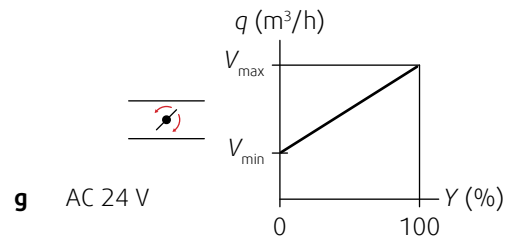
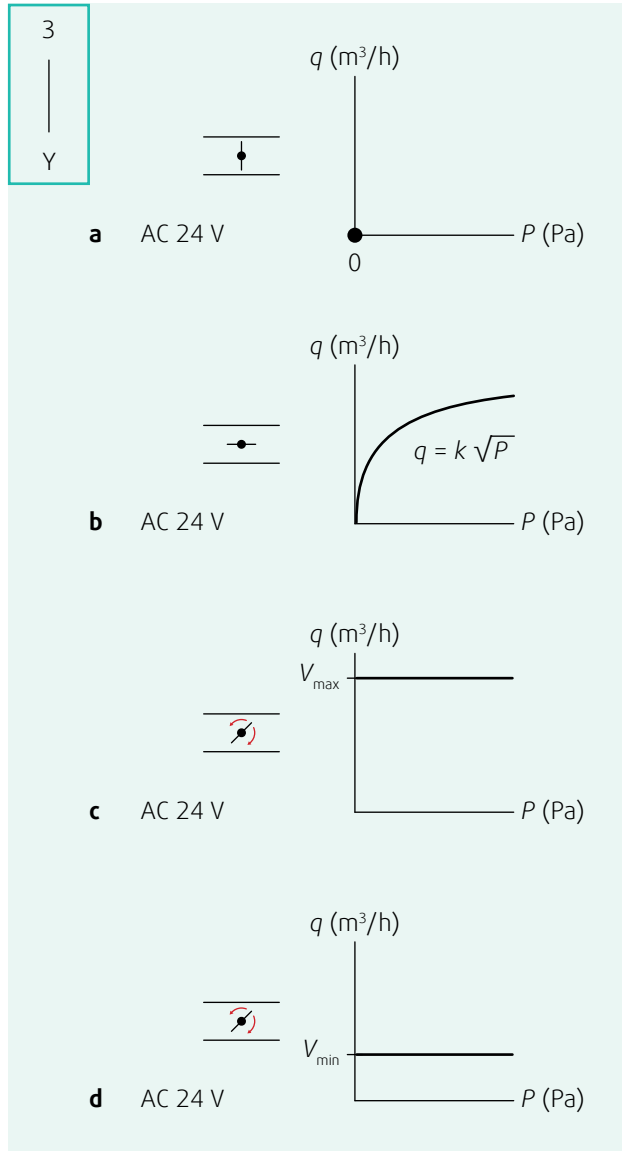
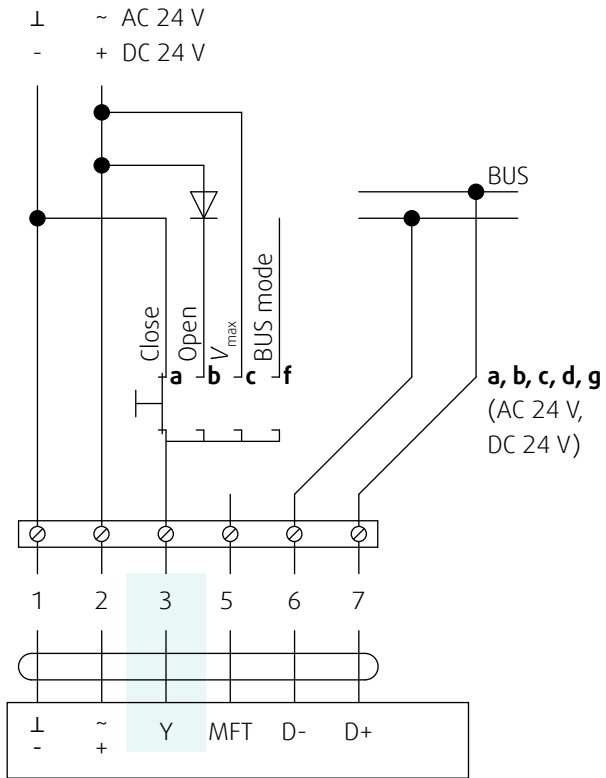




OPTIMA-S...

-BLC1LON

(BUS)



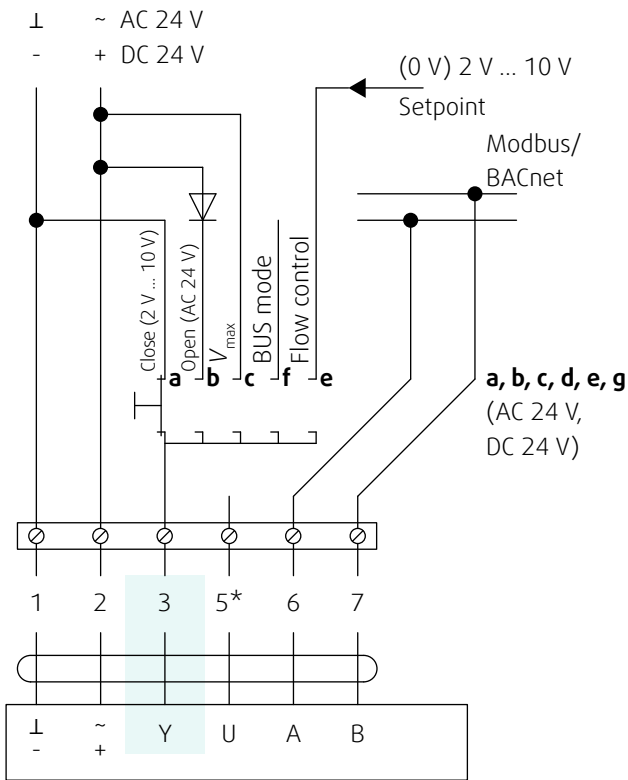




OPTIMA-S...

-BLC1MOD

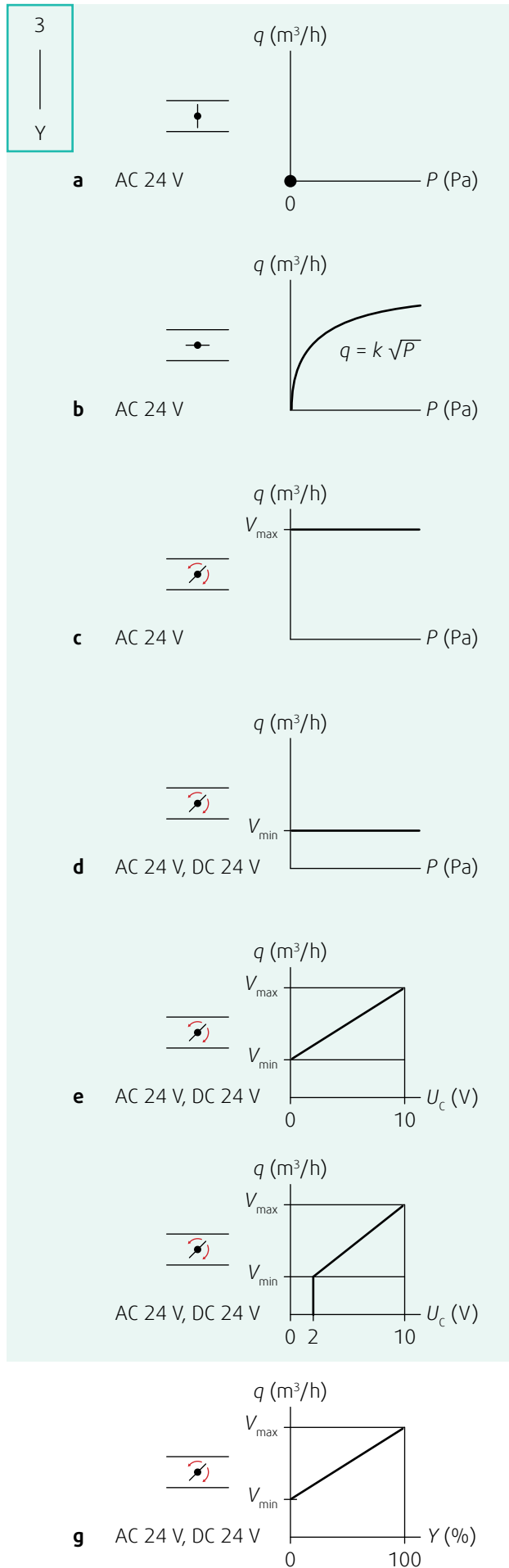
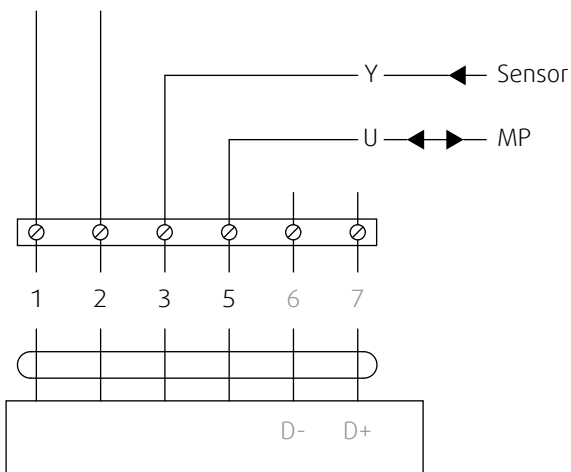
(BUS/DC (0V) 2 V ... 10 V)



\* 2 V ... 10 V Feedback

MP-Bus

$\perp$   $\sim$  AC 24 V  
 $-$  + DC 24 V

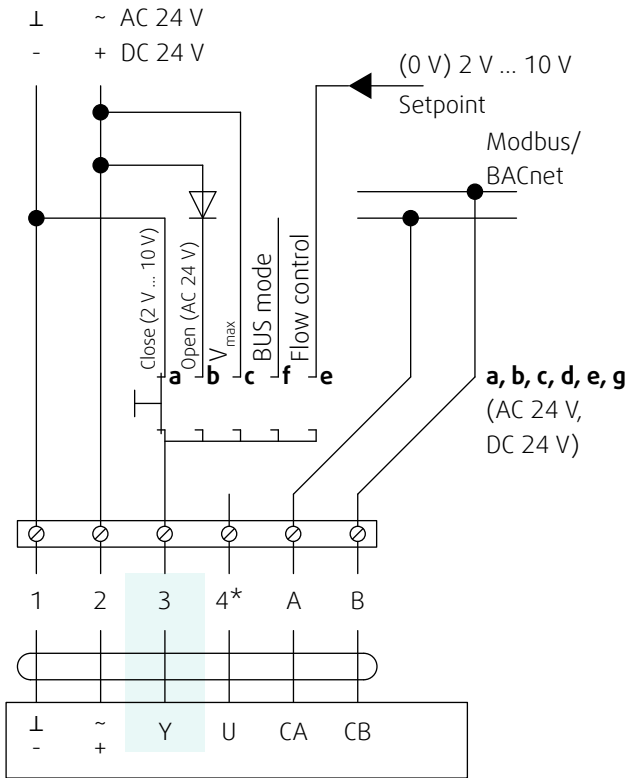




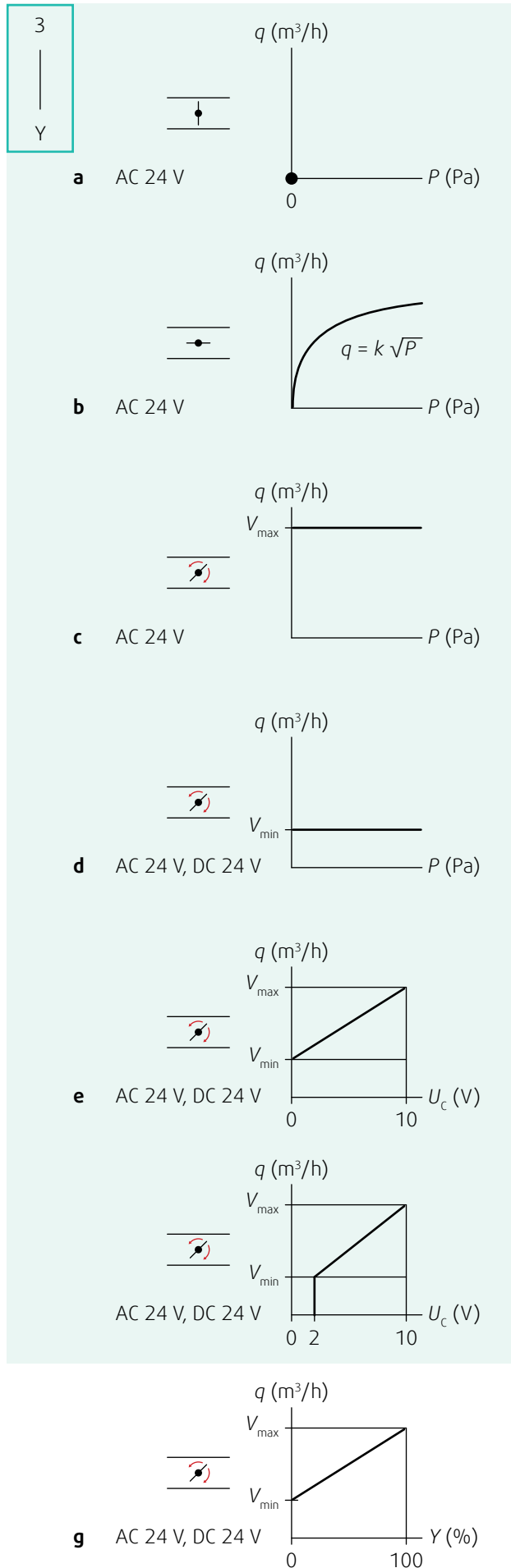
OPTIMA-S...

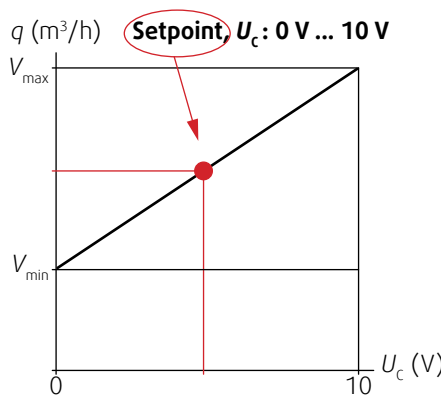
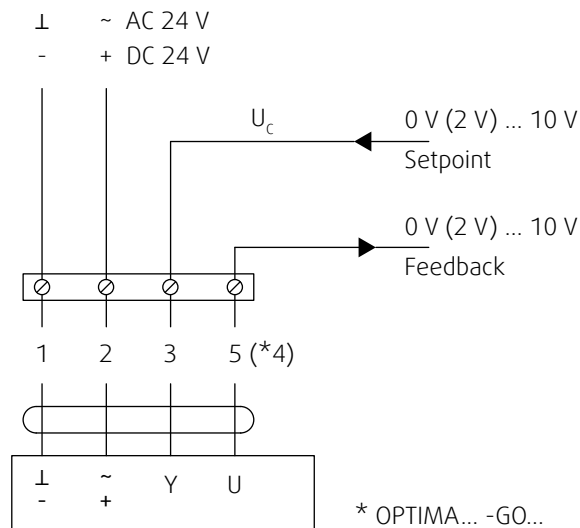
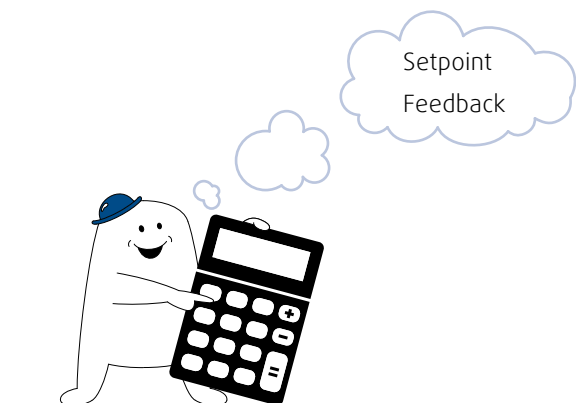
-GOMOD

(BUS/DC (0V) 2 V ... 10 V)

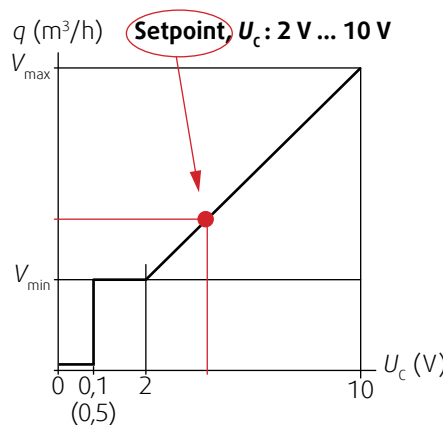


\* 0 V (2 V) ... 10 V Feedback

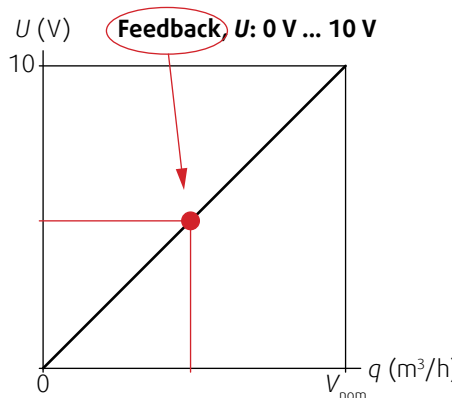




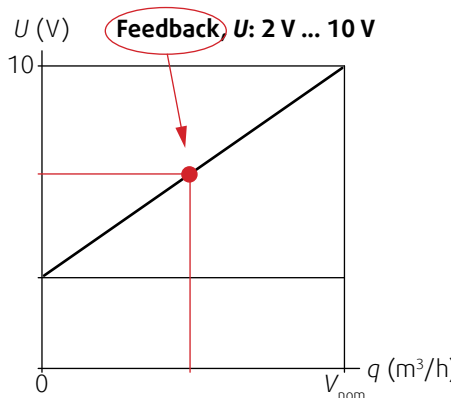
$$U_c = \frac{q - V_{\min}}{V_{\max} - V_{\min}} \cdot 10$$



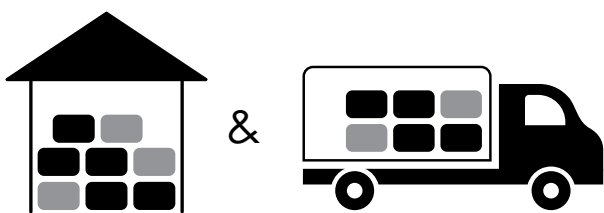
$$U_c = 2 + \frac{q - V_{\min}}{V_{\max} - V_{\min}} \cdot 8$$




$$q = \frac{U}{10} \cdot V_{\text{nom}}$$

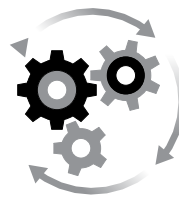


$$q = \frac{U - 2}{8} \cdot V_{\text{nom}}$$




 °C -20°C ... +50°C

 % ≤ 95%



 °C -20°C ... +50°C

 % ≤ 95%



[design.systemair.com](https://design.systemair.com)