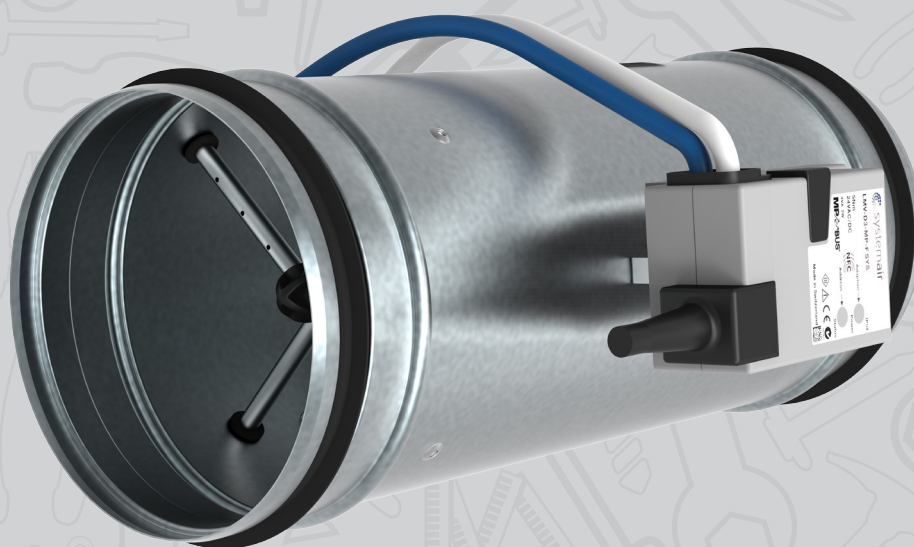
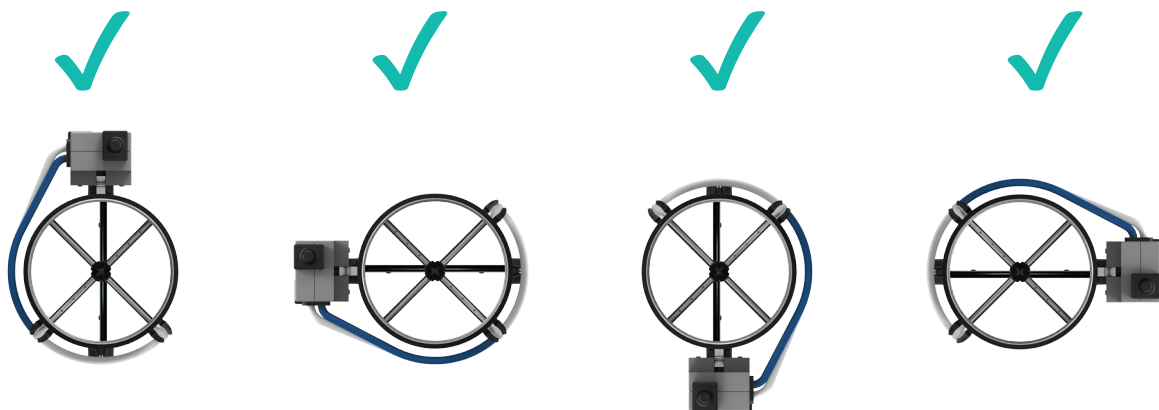
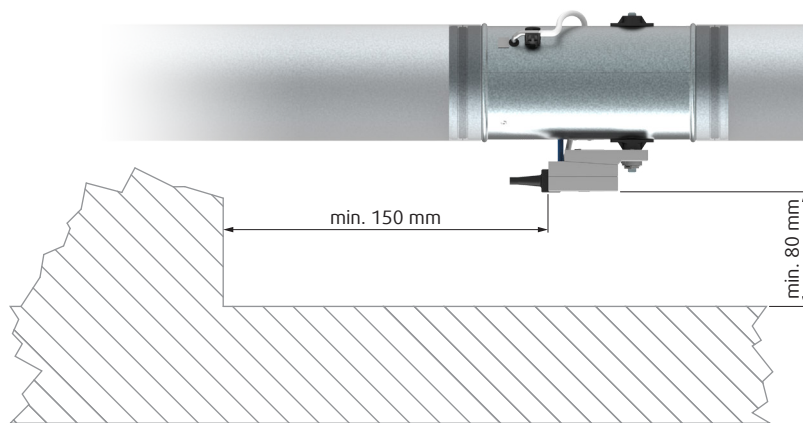
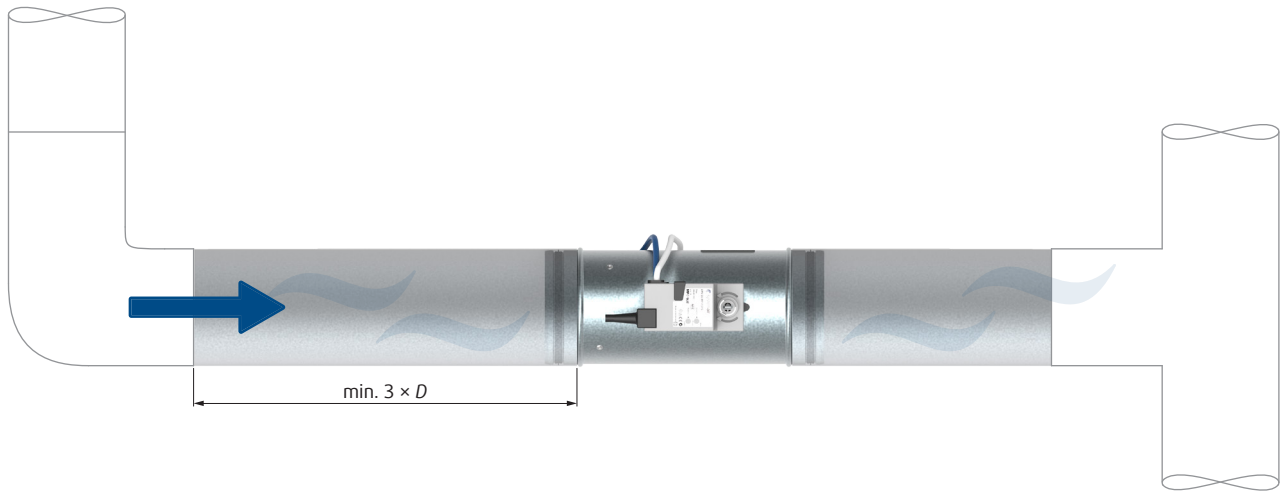


# OPTIMA-R

Installation, maintenance and operation instructions





OPTIMA-R...

- BLC1

- BLC1MOD

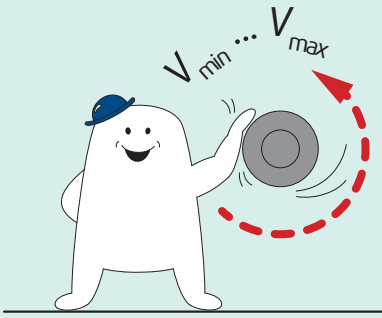
- GO

- BLC4

- BLC1LON

- GOMOD

- BLC1KNX



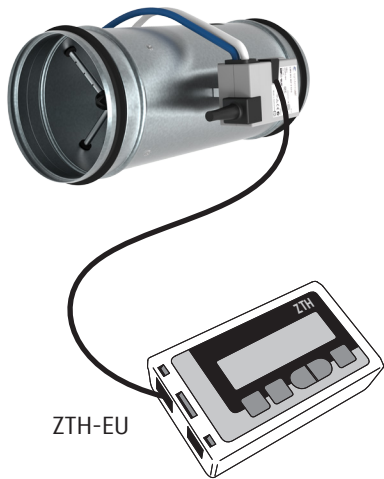
- BLC1

- BLC4

- BLC1MOD

- BLC1LON

- BLC1KNX



- BLC1



- BLC1MOD

- BLC1LON

- BLC1KNX

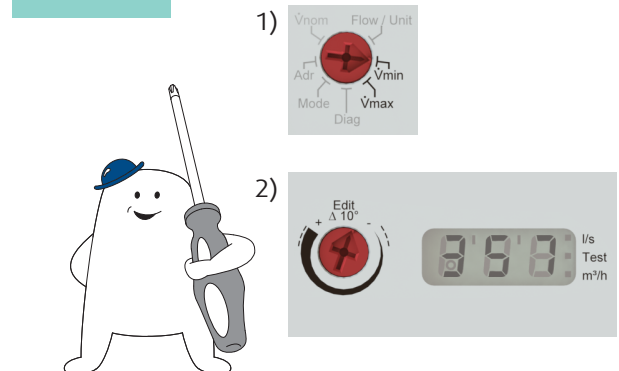
- GO

- GOMOD



- GO

- GOMOD



OPTIMA-R...

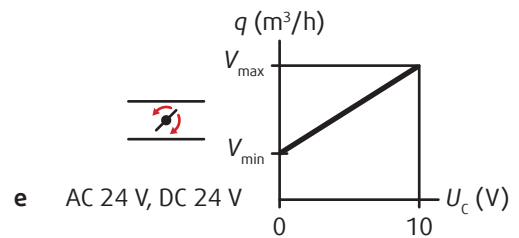
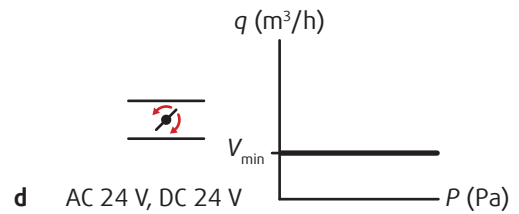
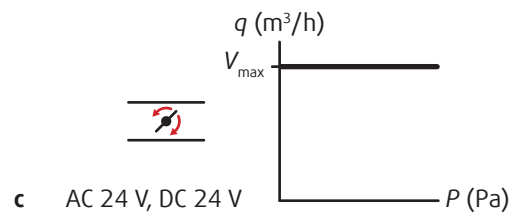
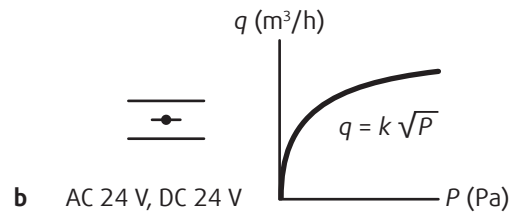
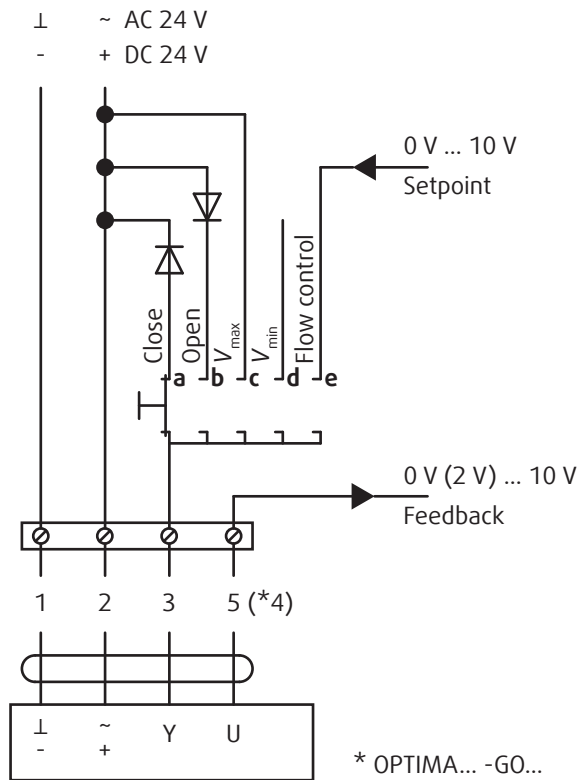
- BLC1

- BLC4

- GO

- GOMOD

(DC 0 V ... 10 V)



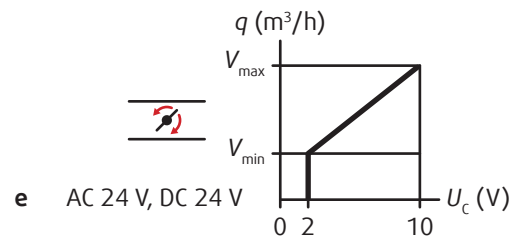
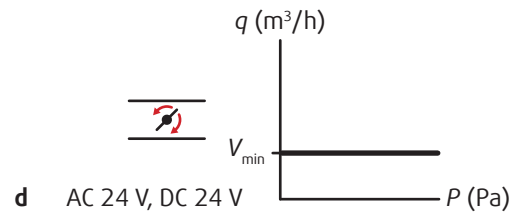
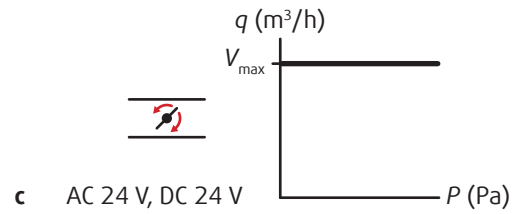
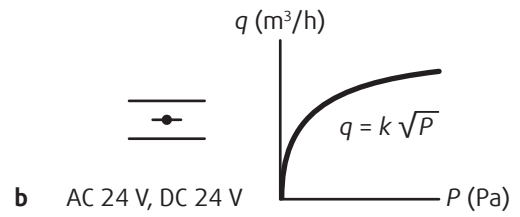
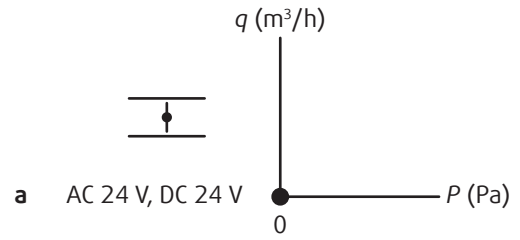
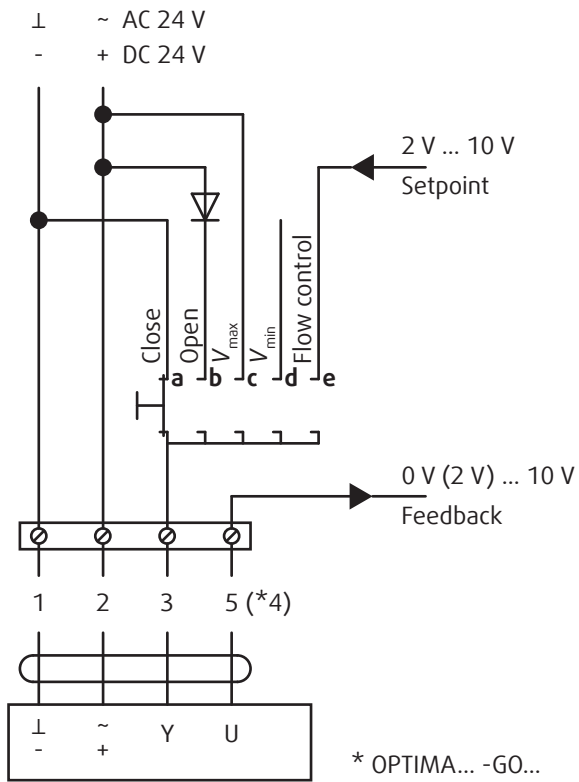
OPTIMA-R...

- BLC1

- BLC4

- GO

(DC 2 V ... 10 V)



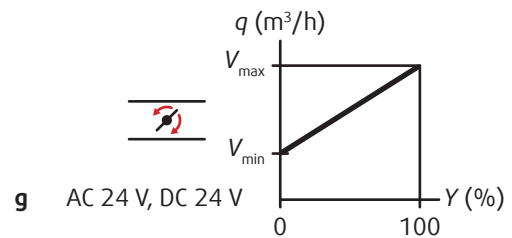
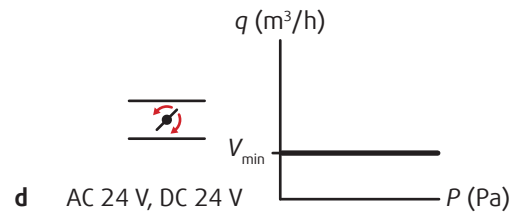
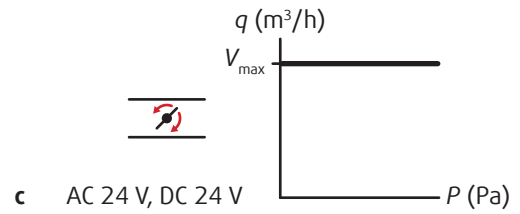
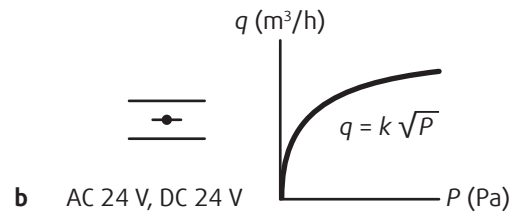
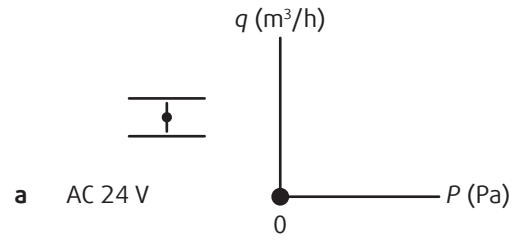
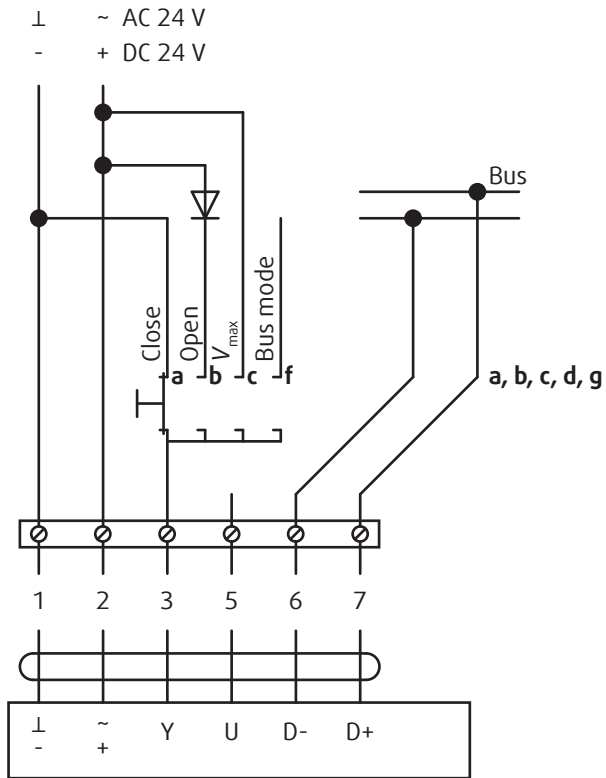
OPTIMA-R...

- BLC1MOD

- BLC1LON

- BLC1KNX

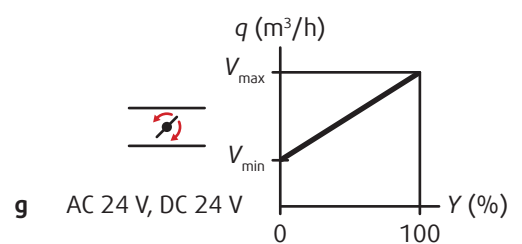
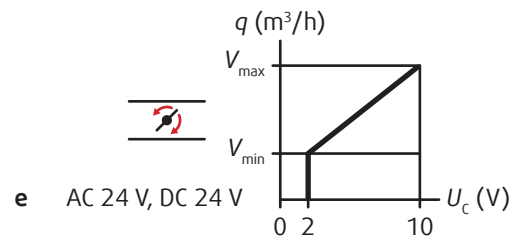
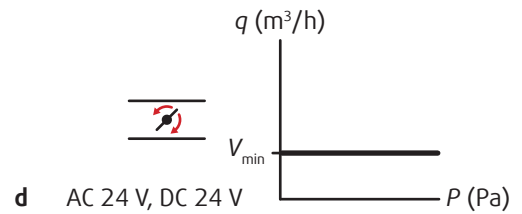
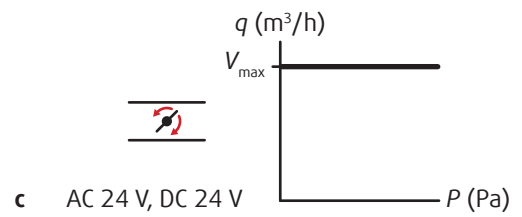
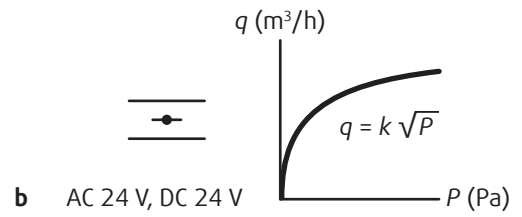
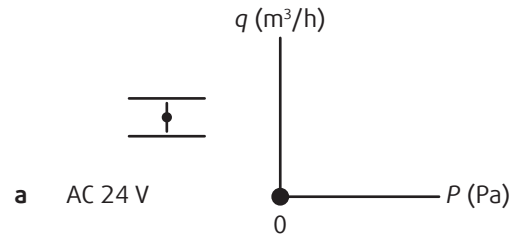
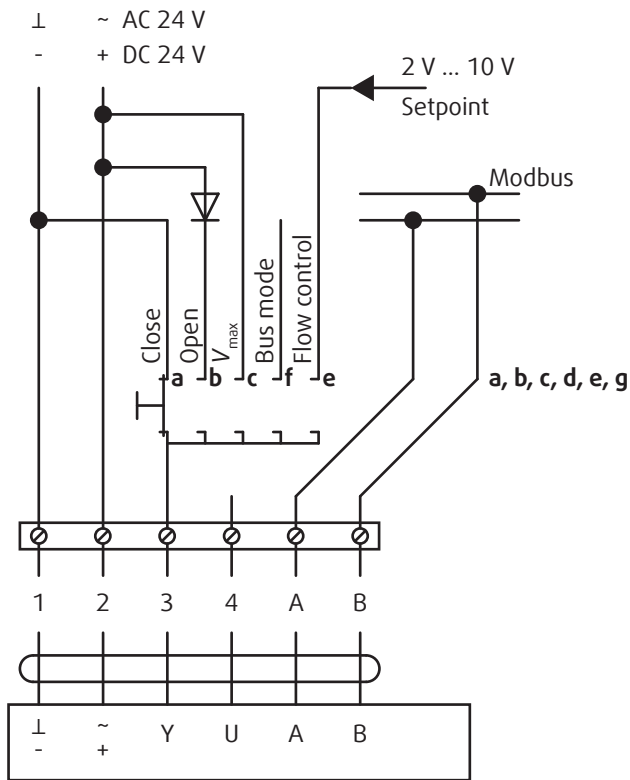
(Bus)

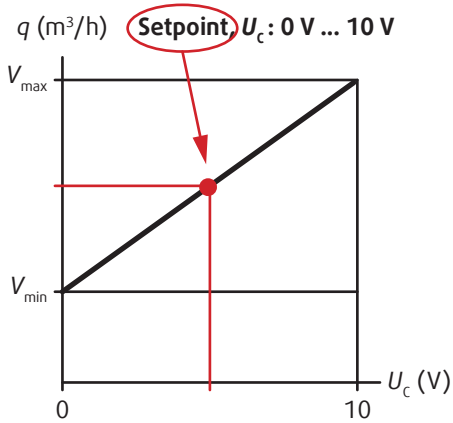
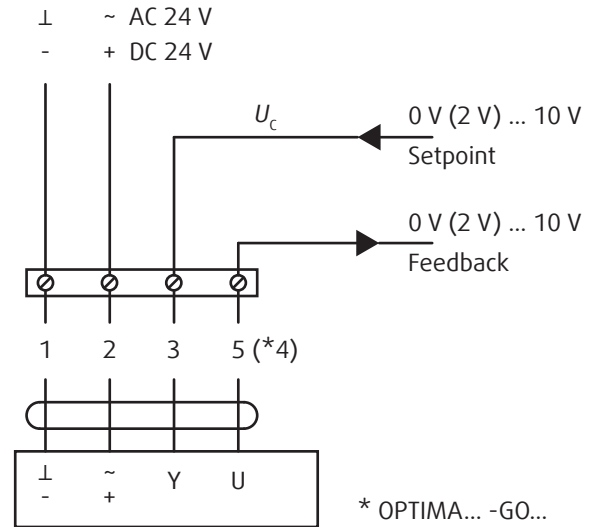


OPTIMA-R...

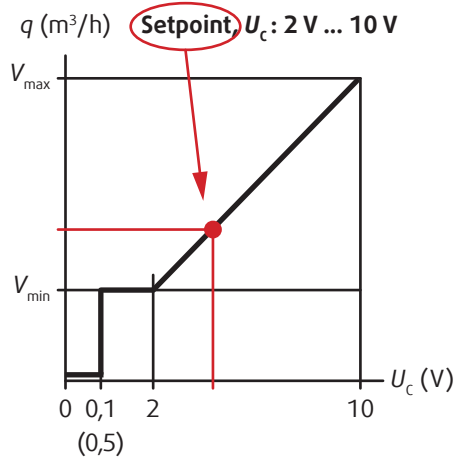
- GOMOD

(Bus / DC 2 V ... 10 V)

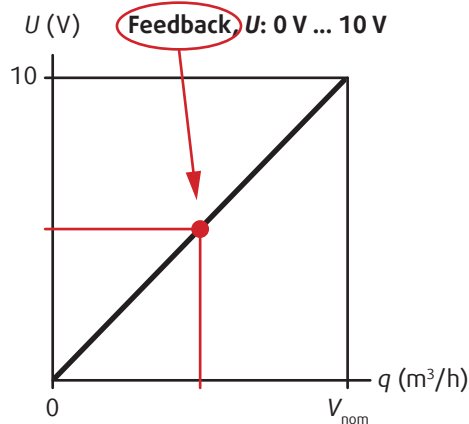




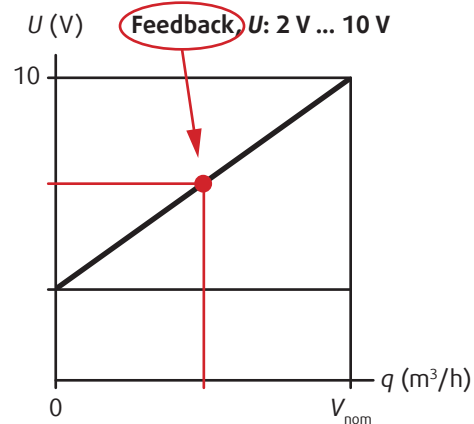
$$U_c = \frac{q - V_{\min}}{V_{\max} - V_{\min}} \cdot 10$$



$$U_c = 2 + \frac{q - V_{\min}}{V_{\max} - V_{\min}} \cdot 8$$



$$q = \frac{U}{10} \cdot V_{\text{nom}}$$



$$q = \frac{U - 2}{8} \cdot V_{\text{nom}}$$