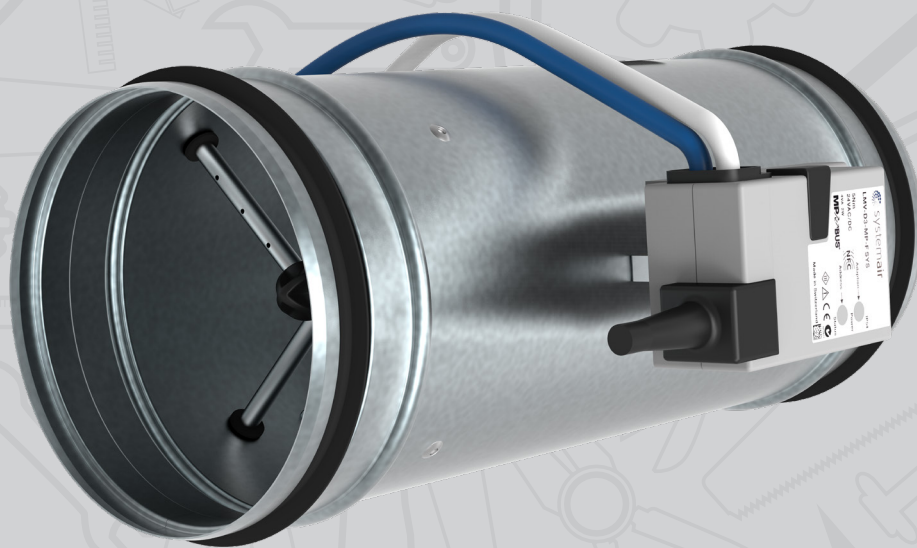
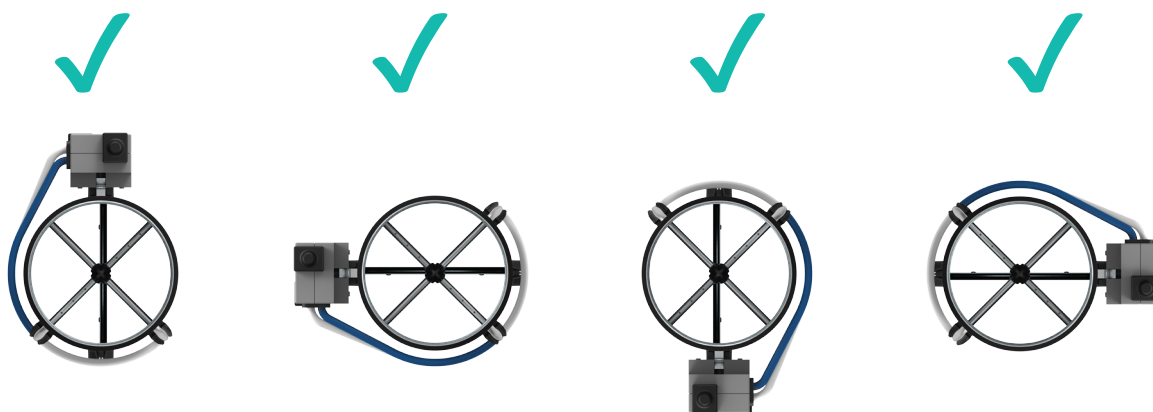
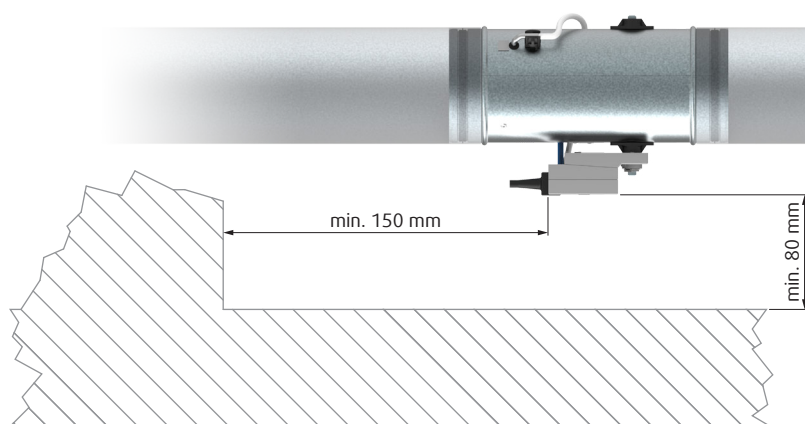
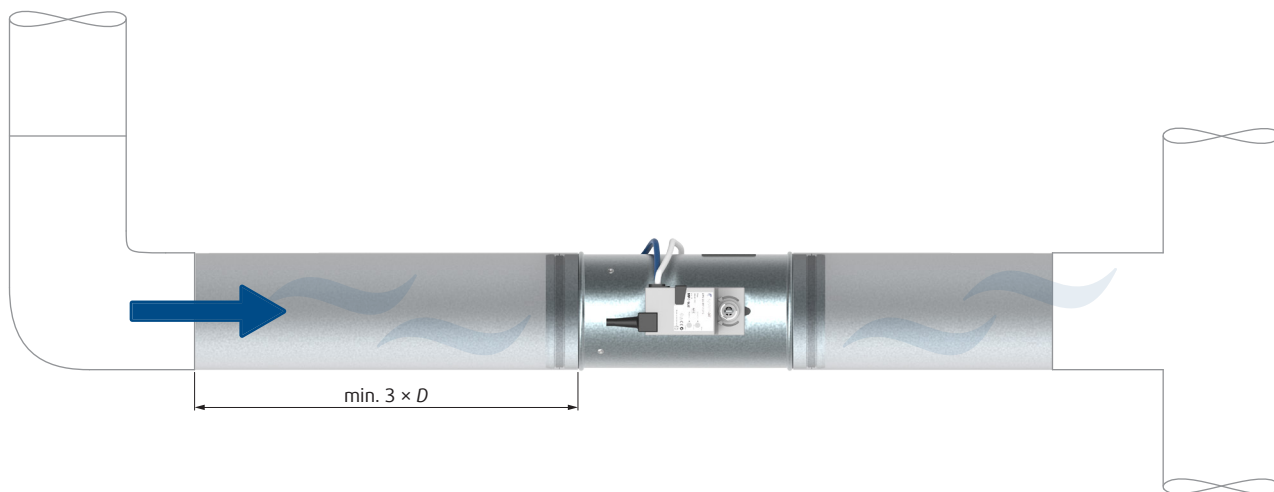


OPTIMA-R

Installations-, Wartungs- und Betriebsanleitung





OPTIMA-R...

- BLC1

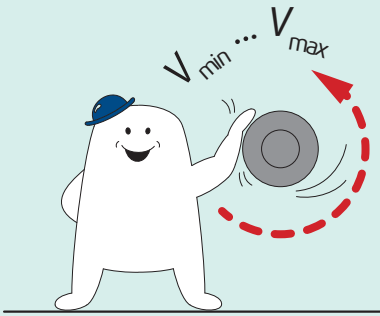
- BLC1MOD

- GO

- BLC4

- BLC1KNX

- GOMOD

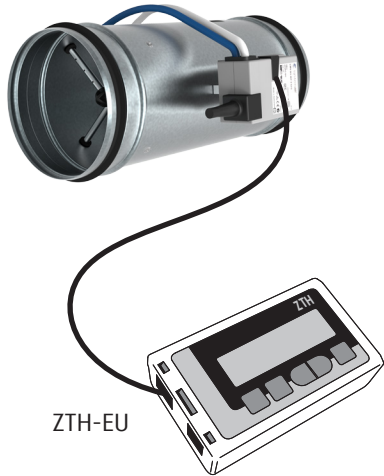


- BLC1

- BLC4

- BLC1MOD

- BLC1KNX



- BLC1



- BLC1MOD

- BLC1KNX

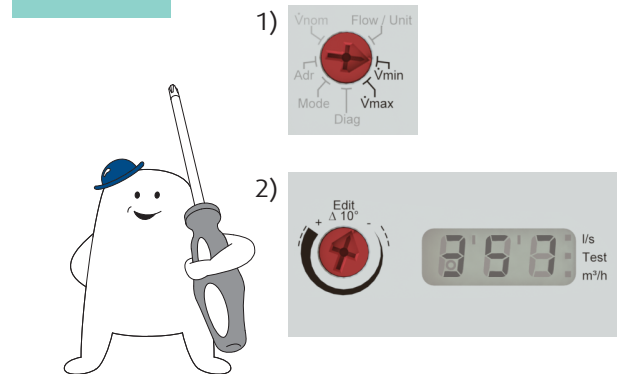
- GO

- GOMOD



- GO

- GOMOD



OPTIMA-R...

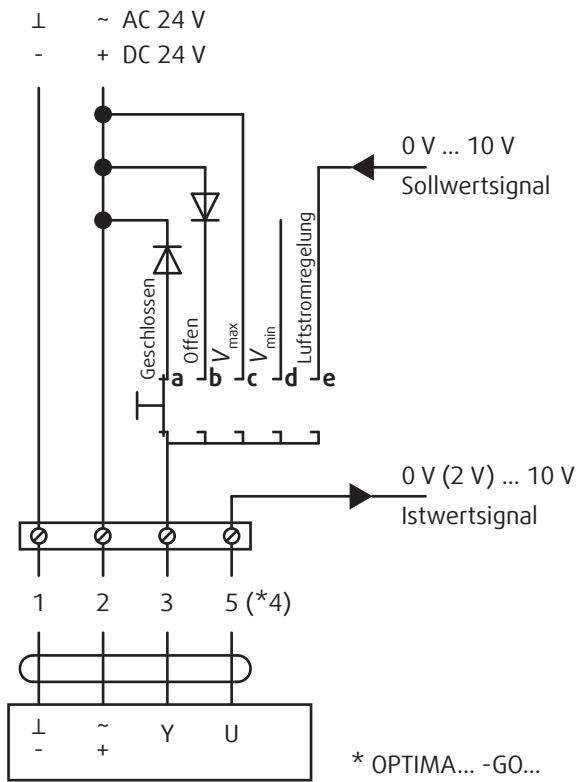
- BLC1

- BLC4

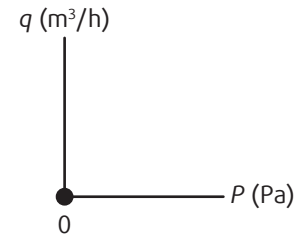
- GO

- GOMOD

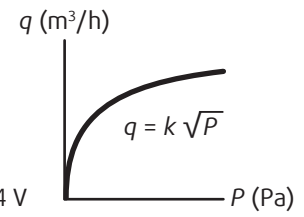
(DC 0 V ... 10 V)



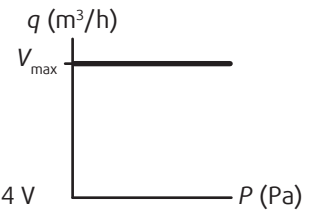
a AC 24 V



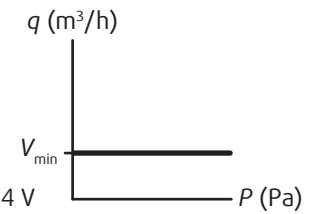
b AC 24 V, DC 24 V



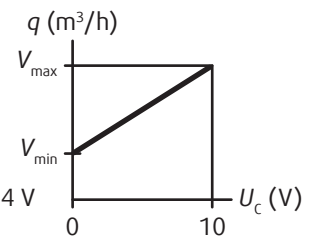
c AC 24 V, DC 24 V



d AC 24 V, DC 24 V



e AC 24 V, DC 24 V



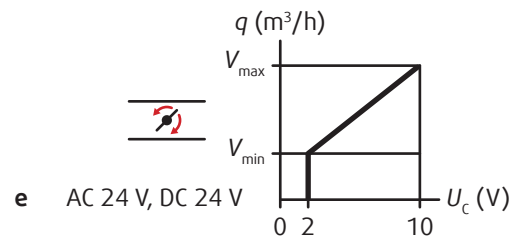
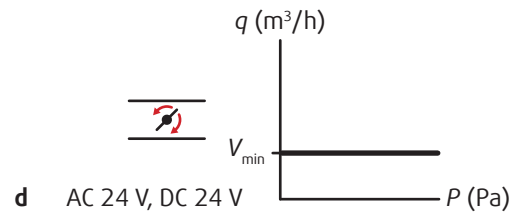
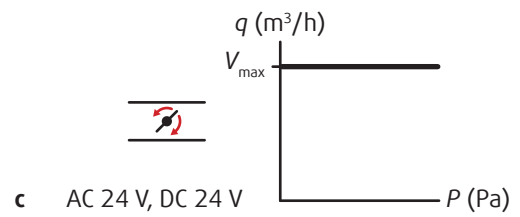
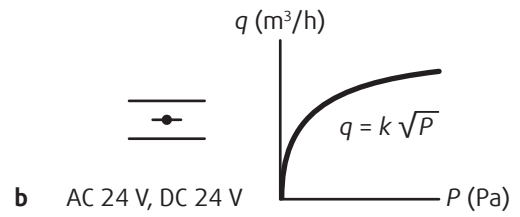
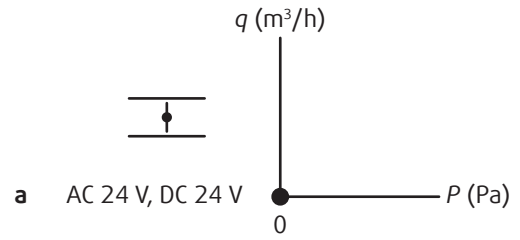
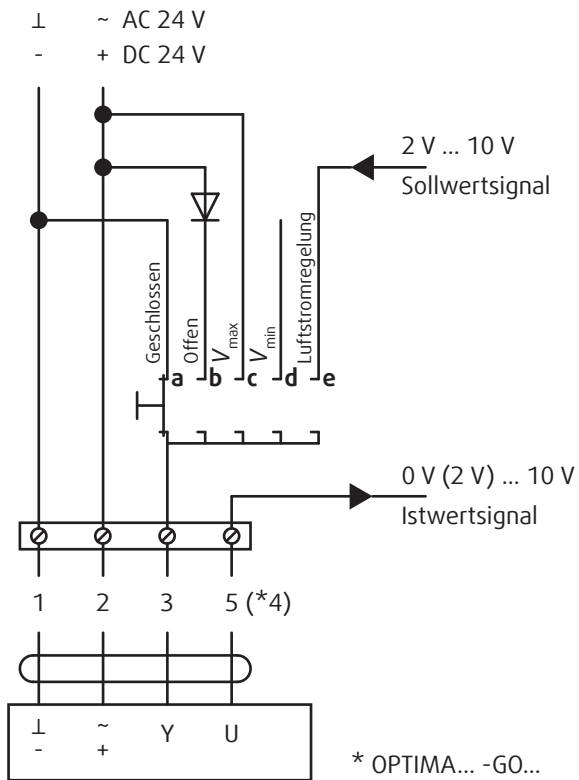
OPTIMA-R...

- BLC1

- BLC4

- GO

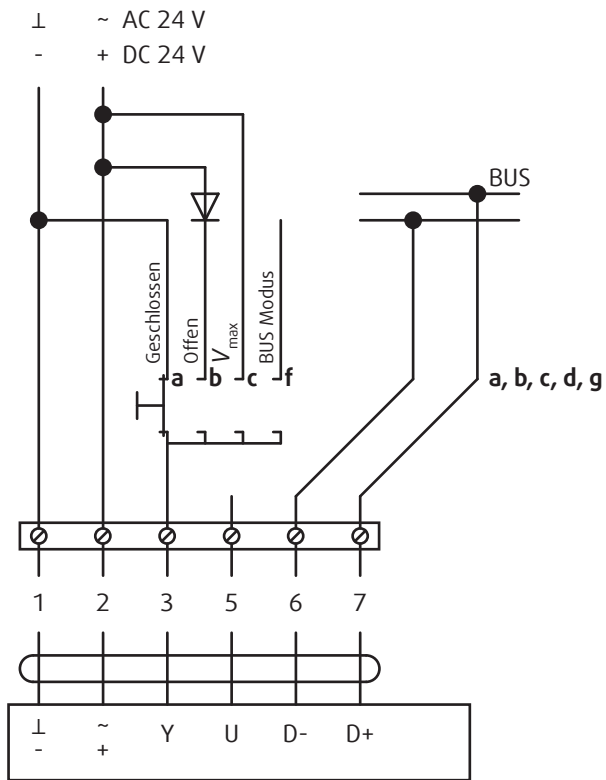
(DC 2 V ... 10 V)



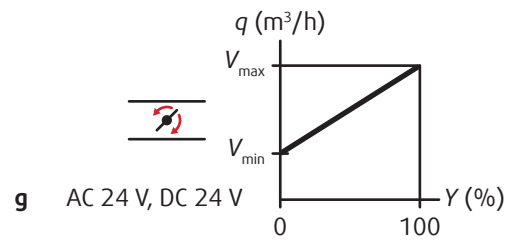
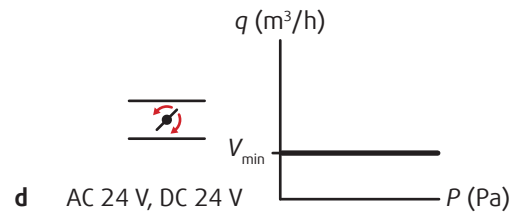
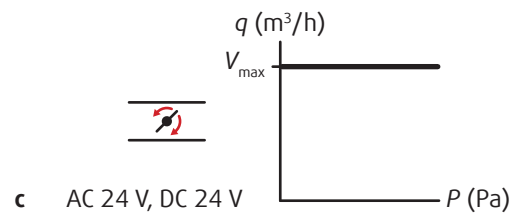
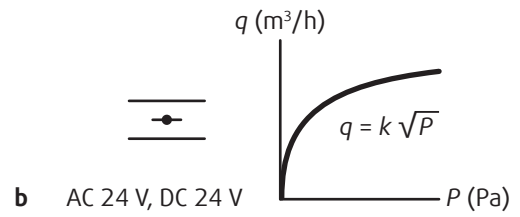
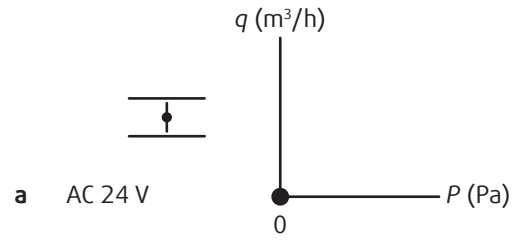
OPTIMA-R...

- BLC1MOD

- BLC1KNX



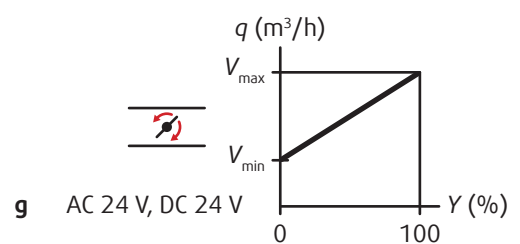
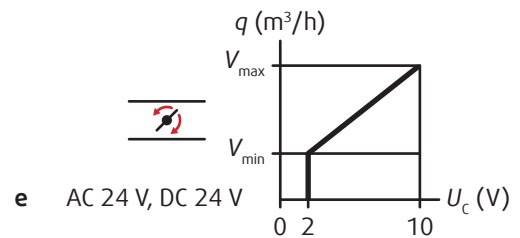
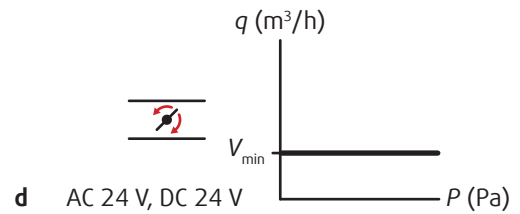
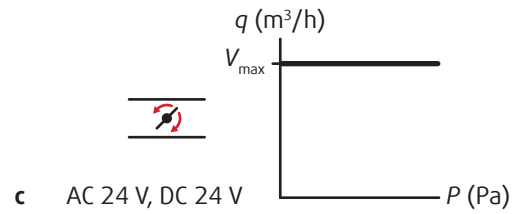
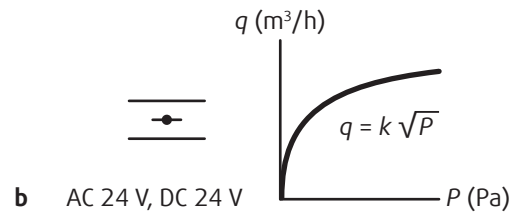
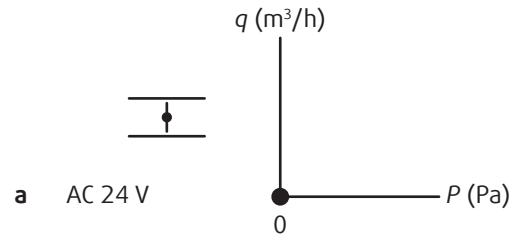
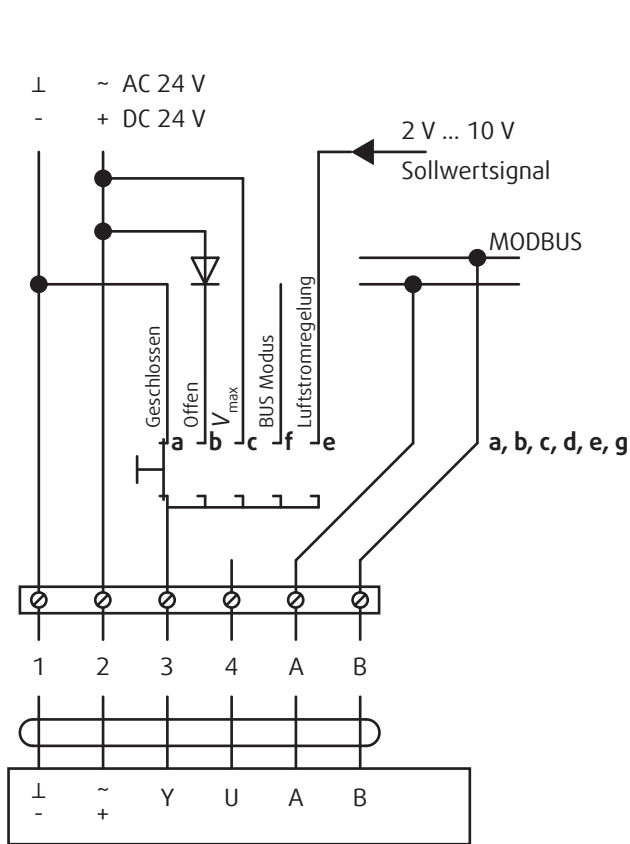
(BUS)

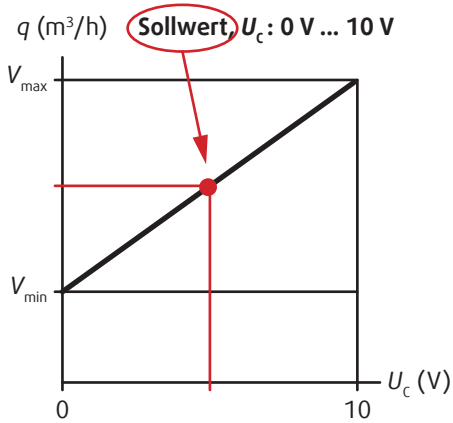
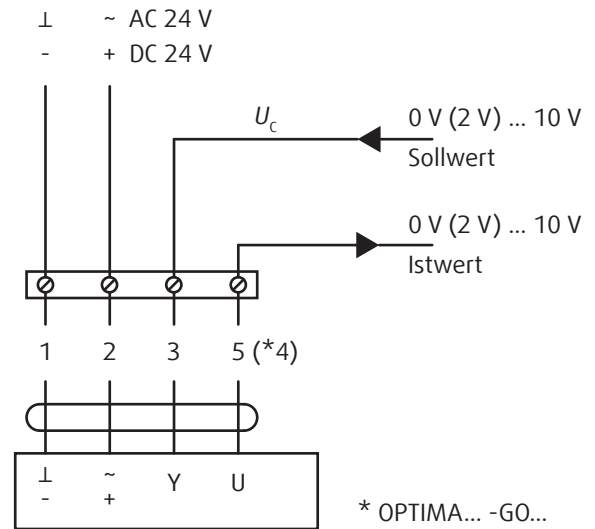
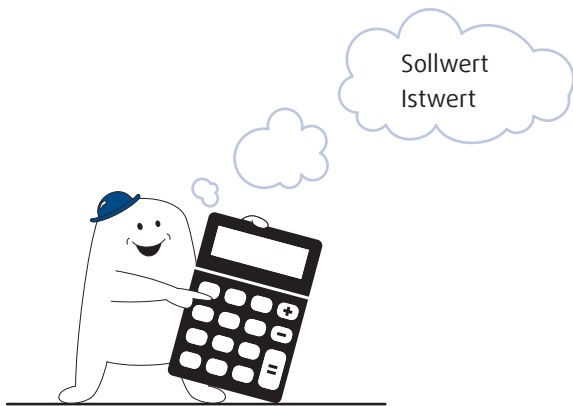


OPTIMA-R...

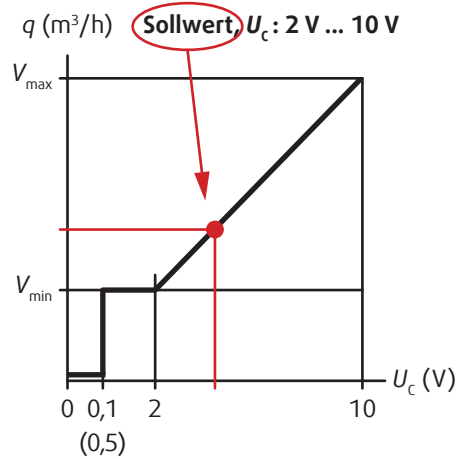
- GOMOD

(BUS / DC 2 V ... 10 V)

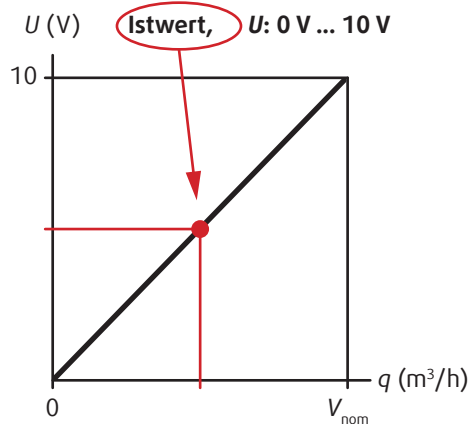




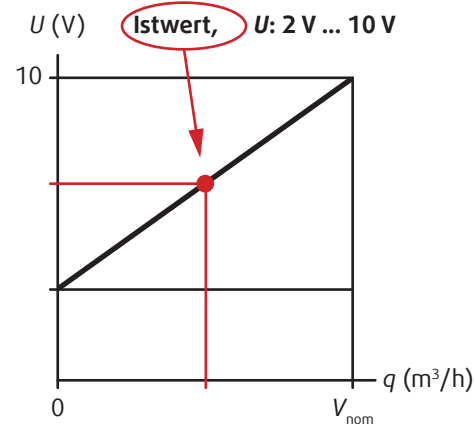
$$U_c = \frac{q - V_{\min}}{V_{\max} - V_{\min}} \cdot 10$$



$$U_c = 2 + \frac{q - V_{\min}}{V_{\max} - V_{\min}} \cdot 8$$



$$q = \frac{U}{10} \cdot V_{\text{nom}}$$



$$q = \frac{U - 2}{8} \cdot V_{\text{nom}}$$

