

OPTIMA-R-PC...BM

Pressure Controller

Handbook



Table of Contents

Description3
Dimensions & Weights9
Ordering Codes11
Accessories13
Technical Parameters18
Installation33
Electrical Connections35
Transport, Storage and Operation43
Supplement44



Description

OPTIMA-R-PC is a variable pressure controller with or without an insulation. The product is intended to control the air pressure in a ventilation system. The product is installed into circular ducts of 80 mm up to 630 mm in diameter. Field of application is e.g. offices, public spaces, laboratories, health care premises and industrial plants.

Highlights

- Damper tightness class 4 according to EN 1751
- Casing tightness class C according to EN 1751
- High measurement/control accuracy of 5 %
- Pressure control range up to 600 Pa
- Static sensor capable of measurement also in dust polluted atmosphere
- Actuators with quick transition or safety positioning function available
- Insulated version OPTIMA-RI-PC...BM with external insulation for sound reduction

Types of Product

- **OPTIMA-R-PC...BM**: Non-insulated pressure controller
- **OPTIMA-RI-PC...BM**: Insulated pressure controller

Type of Controller

- **BM**: Belimo VRU-M1-BAC, pressure range 600 Pa with static sensor, Modbus-RTU or BACnet MS/TP switchable port for communication of all variables, analog setpoint and feedback signals DC 0 (2) V ... 10 V applicable

Types of Actuators

- **S**: Standard actuator
- **Q**: Actuator with short transition time
- **QE**: Actuator with short transition time and electric safety function
- **F**: Actuator with mechanical safety function – spring return

List of Accessories

- **ZTH-EU**: Handheld Tool
- **ZIP-BT-NFC**: Communication Port Bluetooth/NFC

- **IDC-OPTIMA:** Impulse Tube Duct Connector
- **ITP-OPTIMA:** Impulse Tube
- **ITC-OPTIMA:** Impulse tube clamp

Design

OPTIMA-R-PC...BM is manufactured from galvanized steel sheet. The product consists of a casing, a duct connection with a rubber gasket, a damper blade with a rubber gasket and a modular pressure control device. OPTIMA-RI-PC...BM is equipped by an insulation for sound reduction. The insulation is a 19 mm thick closed cell foam mat, protected by galvanized steel sheet. The modular pressure control device consists of polyurethane measurement tubes for connection to the pressure impulse tapping spots, an air pressure transmitter, a modular control unit and an actuator.

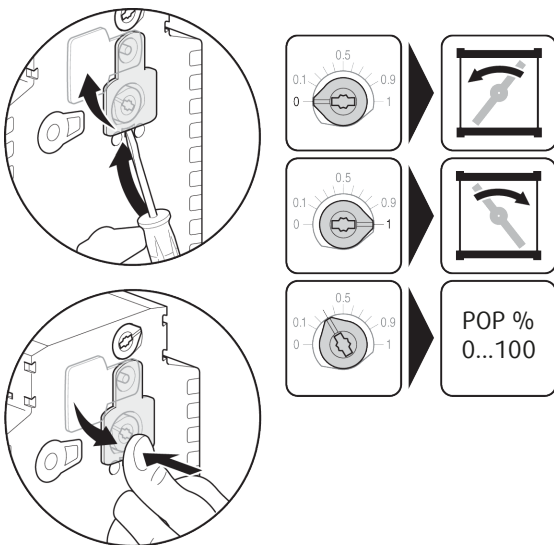
Actuators

- **S:** Standard actuator
- **Q:** Actuator with short transition time
- **QE:** Actuator with short transition time and electric safety function

The default manufacturer setting of the actuator safety function is **closing after power supply interruption**.

Upon request the manufacturer setting can be changed to **opening after power supply interruption**. Adjustment of intermediate final safety position (0% ... 100% opening) is possible.

The possibility to change the safety function on site is available.



- **F:** Actuator with mechanical safety function – spring return

The default manufacturer setting of the actuator safety function is **closing after power supply interruption**.

Upon request the manufacturer setting can be changed to **opening after power supply interruption**.

DN	T _{max} (Nm)	OPTIMA-R...BM-S/Q/QE/F			
		S	Q	QE	F
80	4	LM24A-VST	LMQ24A-VST	NKQ24A-VST	LF24A-VST
100	4				
125	4				
140	4				
160	4				
180	4				
200	4				
225	4				
250	4				
280	4				
315	4				
355	5				
400	5	NM24A-VST	NMQ24A-VST	-	NF24A-VST
500	8		SMQ24A-VST	-	
630	10				

	∠	⌚	⌚⊗	P _r (VA)	P (W)
LM24A-VST	90°	⌚/⌚120 s	-	4	2,5
NM24A-VST	90°	⌚/⌚120 s	-	6	3,5
LMQ24A-VST	90°	⌚/⌚2,5 s	-	25	14,5
NMQ24A-VST	90°	⌚/⌚4 s	-	25	14,5
SMQ24A-VST	90°	⌚/⌚7 s	-	28	16,5
NKQ24A-VST	90°	⌚/⌚4 s	⌚4 s	24	12,5
LF24A-VST	90°	⌚/⌚120 s	⌚<20 s	7	4
NF24A-VST	90°	⌚/⌚120 s	⌚<20 s	10	6,5

Legend

∠

Positioning angle

⌚

Transition time

⌚⊗

Transition time without power supply (safety function)

P_r (VA)

Power rating (actuator + controller VRU...)

P (W)

Power consumption in operation (actuator + controller VRU...)

Noise and thermal insulation material for OPTIMA-RI-PC...BM

Base	NBR/PVC
Cellular Structure	Closed
Colour	Black
Density	80 kg/m ³
Water Absorption	2 % < 5 %
Resistance	Air+ U.V.-Good
Thermal Conductivity (t. + 40 °C)	< 0,039 W/m K
	Class 1 (DM 26/06/84)
	UL 94-HF1
Fire Resistance	Class 0 - BS 476 part6-7 UK
	NF certificate n.38 (until mm.32) France
	B-s3,d0 (EN 13501-1) Euroclass
Marine and Shipbuilding	MED B - MED D - DNV type approval
Steam Diffusion	MU > 7.000
Noise Reduction (DIN 4109)	Up to 30 dB
Ecological Compatibility	NO CFC - HCFC, asbest free

Controls

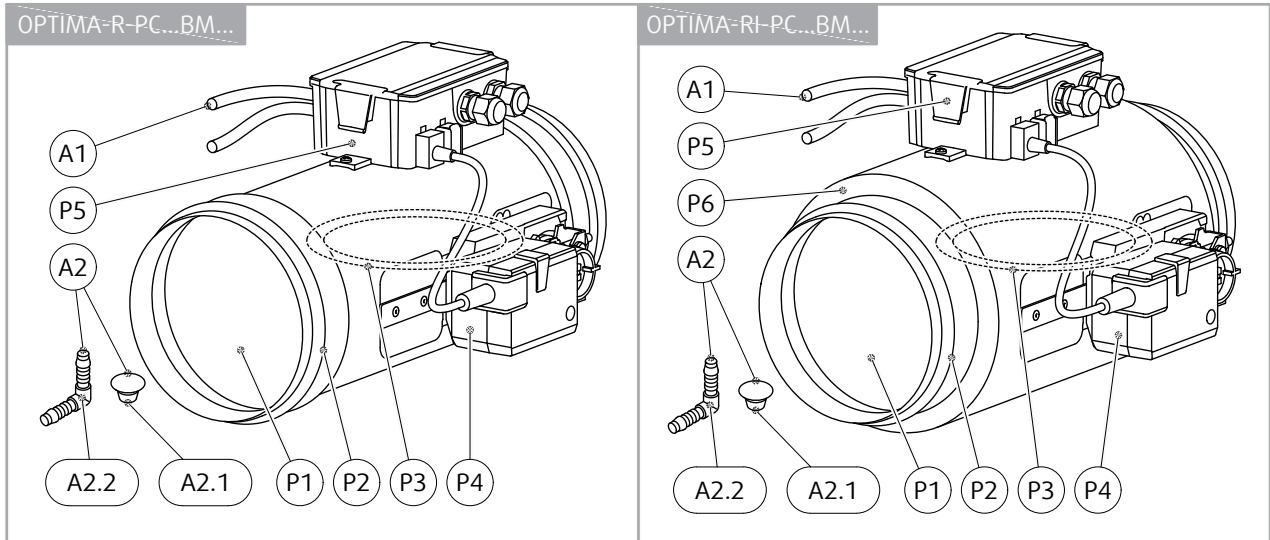
The air pressure controllers are equipped by OEM control module and actuator from Belimo. The control units are factory calibrated as standard to the air pressure control range P_{\min} ... P_{\max} . The dimension table shows this standard setting.

Upon request the control range P_{\min} ... P_{\max} can be adjusted to customized settings prior to dispatch. The pressure limits can also be re-adjusted on site with ZTH-EU hand held service tool. If specific air values for P_{\min} and P_{\max} would be required from factory, this must be indicated prior to order of the units for adequate calibration.

Modular Control/Actuator Unit Functionality Description

Control Module / Actuator Unit	Analog Input	BUS Communication	Parameters Setup	Hard Wired Override	Feedback Signal	Feedback Values	Main BUS Com. Variables	Power Supply
BM-S BM-Q BM-QE BM-F	DC 0 V (2 V) ... 10 V	Modbus-RTU BACnet MS/TP	ZTH-EU ZIP-BT-NFC	OPEN, CLOSE, P _{min} , P _{max}	Modbus-RTU BACnet MS/TP DC 0(2) V ... 10 V	Actual pressure, Damper angle	Read/write : Setpoint, P _{min} , P _{max} , OPEN, CLOSE Read: Actual pressure, damper angle, serial number, fault/alarm messages	AC/DC 24 V

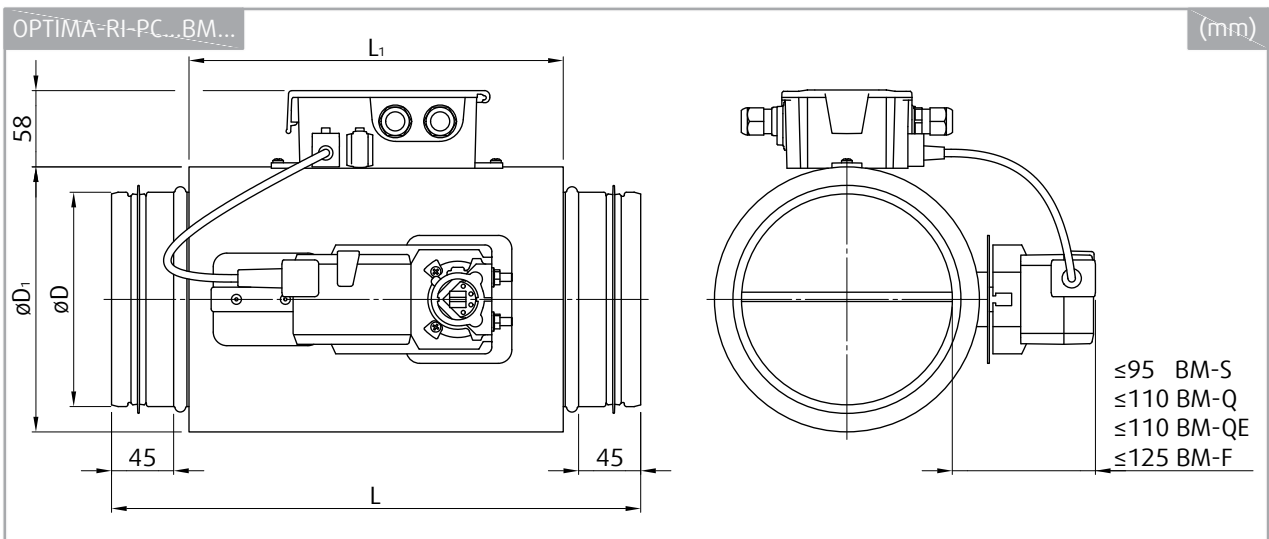
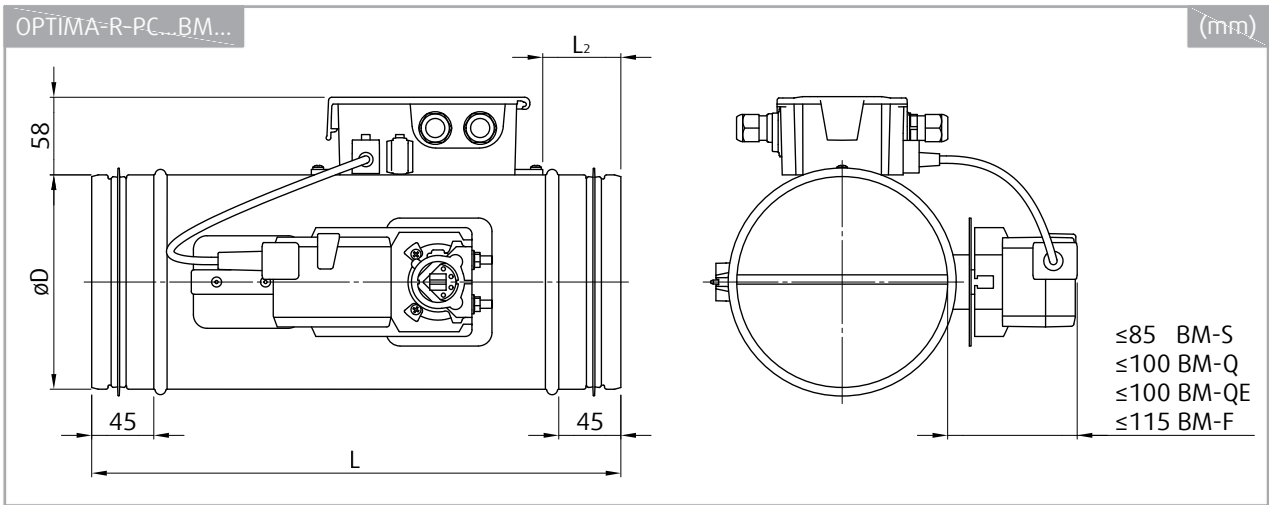
Product Parts







Legend

- P1** Casing
- P2** Duct connection with gasket
- P3** Damper blade with gasket
- P4** Actuator module
- P5** Pressure control module
- P6** Insulation
- A1** ITP-OPTIMA: Impulse Tube
- A2** IDC-OPTIMA: Impulse Tube Duct Connector
- A2.1** Gasket
- A2.2** Impulse tube duct connector

Dimensions & Weights



	$\varnothing D$	L	$\varnothing D_1$	L_1	$L_2 (R)$	m (R)	m (RI)	S 	Q 	QE 	F 				
DN	mm					kg									
80	DN-2	290	117	180	53	0,7	1,1	LM24A-VST	LMQ24A-VST	NKQ24A-VST	LF24A-VST				
100			137			0,8	1,2								
125			162			1,3	2,2								
140	390	280	177	58	1,4	2,4									
160			197		1,5	2,6									
180			217		1,8	3									
200			237		2,3	4,1									
225	DN-2,5	490	262	380	70	2,7	4,7								
250			287		90	3,5	5,7								
280			317		105	4,7	7,8								
315	590	480	352	125	5,3	8,8									
355			392		150	6,3	10,2								
400			437		168	6,7	11								
500			DN-3		790	537	680					457	10,1	17,7	NM24A-VST
630	667	13		22,4		SMQ24A-VST						-			

Ordering Codes

OPTIMA-R-PC...BM

Non-insulated Pressure Controller

OPTIMA-R-PC

Nominal Size

DN

OEM Belimo, Communication Type

BM Switchable: Modbus-RTU or BACnet MS/TP or MP-Bus or analog setpoint/feedback DC 0 (2) V ... 10 V

Actuator Type

S Standard actuator

Q Actuator with short transition time

QE Actuator with short transition time and electric safety function (only for sizes \leq DN 400)

F Actuator with mechanical safety function – spring return

OPTIMA-RI-PC...BM

Insulated Pressure Controller

OPTIMA-RI-PC

Nominal Size

DN

OEM Belimo, Communication Type

BM Switchable: Modbus-RTU or BACnet MS/TP or MP-Bus or analog setpoint/feedback DC 0 (2) V ... 10 V

Actuator Type

S Standard actuator

Q Actuator with short transition time

QE Actuator with short transition time and electric safety function (only for sizes \leq DN 400)

F Actuator with mechanical safety function – spring return

Example of the Ordering Code

OPTIMA-RI-PC-125-BM-F

Insulated pressure controller, nominal size 125, with spring return safety function actuator.

NOTES:

Standard setup of the control module is Modbus communication.

Standard setup of the P_{\min} is 0 Pa and P_{\max} is 600 Pa. It can be changed upon request, if requested as a note to the order.

Accessories

ZTH-EU

Handheld Tool



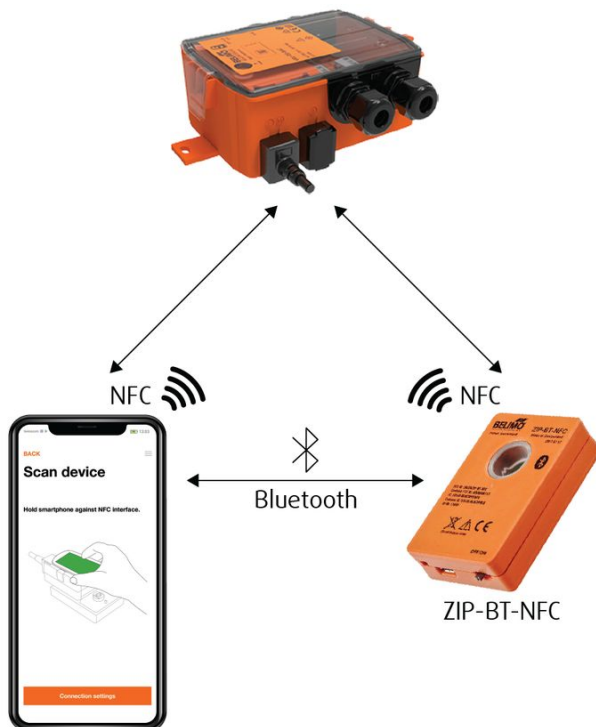
ZTH-EU is a handheld tool for Pressure controllers and communicative actuators. The product enables the customer to change the configuration of the Pressure controllers.

ZIP-BT-NFC

Communication Port Bluetooth/NFC



ZIP-BT-NFC is a wireless interface connecting the smartphone with configuration app Belimo Assistant via Bluetooth to the Pressure controller VRU... with NFC communication protocol.



Parametrisation

Configuration with ZTH-EU or by Belimo Assistant app via NFC or via Bluetooth through ZIP BT NFC

			Tool		Authorisation
Parameter/Function	Unit/Value	Function/Description/ (Area)	Assistant App	ZTH-EU	Expert/OEM
VAV Unit/Air Duct Pressure Control Butterfly Valve - Manufacturer Parameters (OEM Values - Not Variable)					
OSN Actuator	xxxxx-xxxxx-xxx-xxx	Actuator series number	r	-	
Rotation Direction	CCW/CW	Actuator direction of rotation setting	r/w	-	E
Range of rotation	Adapted/programmed	Actuator adapted/programmed 30°...95°	r/w	-	E
Power on behaviour	No action/synch. / adaption	Actuator power on behaviour	r/w	-	E
Parametrisation - Project-specific Settings					
Position	Text string	Plant designation (64 Z./ZTH 16 Z.)	r/w	r	
Max	Pa (PC-tool/ZTH %) % (position)	ΔP step max. 20...100% P_{nom} Damper position (pos. ctrl.) 0% ... 100%	r/w	r/w	
Min	Pa (PC-tool/ZTH %) % (position)	ΔP step max. 20...100% P_{nom} Damper position (pos. ctrl.) 0% ... 100%	r/w	r/w	
Altitude compensation	ON/OFF	Switch function ON/OFF	r/w	-	E
Altitude of installation	0 m	Compensated Δp and volumetric flow values to set the altitude of installation (above sea level)	r/w	-	E
Function	ΔP /position control	Control function	r/w	-	E
Setpoint	Analogue/bus	Analogue and hybrid mode/bus	r/w	-	E
Setpoint offset	0	VAV: $\pm 5\%$ compensation ABL unit	r/w	-	E
Reference signal Y	2 V ... 10 V/0 V ... 10 V/ adjustable	Setting for ΔP control	r/w	-	E
Feedback type	Δp /position	Pressure: Δp /damper position	r/w	-	E
Feedback U	2 V ... 10 V/0 V ... 10 V/ adjustable	Setting U signal	r/w	-	E

Bus parameter

			Tool		Authorisation
Parameter/Function	Unit/Value	Function/Description/ (Area)	Assistant App	ZTH-EU	Expert/OEM
Parametrisation – Communication					
Bus protocol	BACnet MS/TP / Modbus / MP		r/w	–	E
Bus protocol	BACnet MS/TP				
MAC address	0...127		r/w	–	E
Baudrate	9600 / ... / 115200		r/w	–	E
Terminating resistor	OFF/ON		r/w	–	E
Instance number	1...4194304		r/w	–	E
Device name	VAV universal	(32 Z.)	r/w	–	E
Max master	1...127		r/w	–	E
Bus protocol	Modbus RTU				
Address	1...247		r/w	–	E
Baudrate	9600 / ... / 115200		r/w	–	E
Terminating resistor	OFF/ON		r/w	–	E
Parity	1-8-N-2/...E-1/...-0-1/...- N-1		r/w	–	E
Bus protocol	Modbus RTU				
MP address	PP/MP1...8	PP (MP off)/MP1...8	r/w	–	E
Bus fail position	0	0% ... 100% (min...max)	r/w	–	E
Compatibility mode	Default/VRP-M	Default: Belimo MP datapool device VRP-M: VRP-M replacement in existing MP system	r/w	–	E

Legend

X Application supports function

r Tool: read

w Tool: write

– Tool: Does not support parameter

E Only visible in Expert Mode Authorisations - functionally relevant settings are only accessible via the Expert Level of the Belimo Assistant App.

IDC-OPTIMA

Impulse Tube Duct Connector



Description

IDC-OPTIMA is an impulse tube duct connector for differential pressure tapping on the ventilation duct. The product can be also used for ending and mechanical fixing of the impulse tube on other places foreseen for pressure tapping.

Package unit: 2 connectors

Ordering Code

IDC-OPTIMA

ITP-OPTIMA

Impulse Tube



Description

ITP-OPTIMA is an impulse tube for connection between differential pressure tapping spots and pressure transmitter.

Ordering Code

ITP-OPTIMA-L ¹⁾

NOTES:

¹⁾ L: Length (m), 3 lengths are available: 2 m, 5 m, 10 m

Package unit: length (m)

Maximum recommended length for one impulse tube: 10 m.

Both impulse tubes must have the same length.

ITC-OPTIMA

Impulse Tube Clamp



Description

ITC-OPTIMA is an impulse tube clamp. The product is intended to fix the impulse tubes in the installation position. ITC-OPTIMA helps to avoid mechanical stress and deformation of the tube. It is recommended to fix the impulse tubes at least every 1,5 m of the length.

Ordering Codes

ITC-OPTIMA-n

NOTES:

Impulse tube clamps in package units with n pieces of clamps.

n = 2 (package with 2 pieces)

n = 6 (package with 6 pieces)

n = 10 (package with 10 pieces)

Technical Parameters

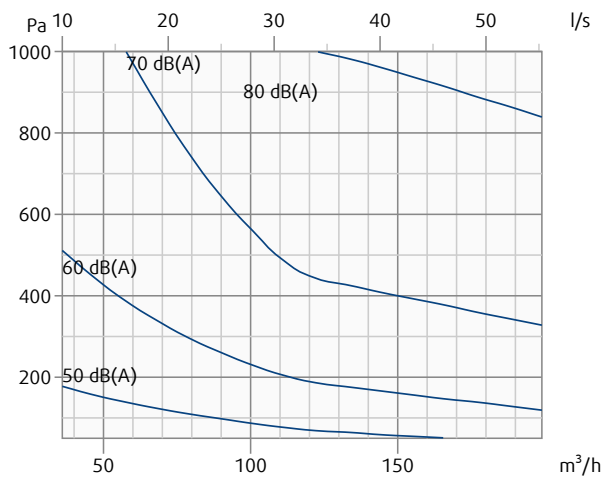
Standard setup of the P_{min} is 0 Pa and P_{max} is 600 Pa.

Legend

- p_s (Pa) Pressure drop
- q_v (m³/h or l/s) Air flow volume
- L_{WA} (dB(A)) A-weighted total radiated sound power level
- L_W (dB) Non weighted total sound power level

OPTIMA-R-PC-80-BM-F

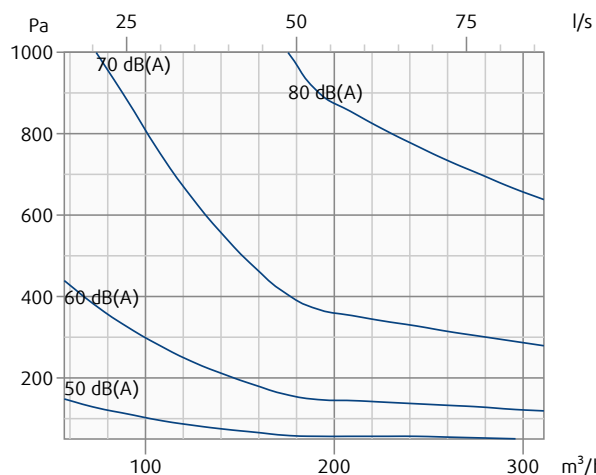
Pressure drop & A-weighted sound power level in dB(A)



	q_v	p_s	L_{WA}	L_W	L_W							
	m ³ /h	Pa	dB		63 Hz	125 Hz	250 Hz	500 Hz	1 kHz	2 kHz	4 kHz	8 kHz
36	100	100	45,2	50,4	43,0	44,2	43,2	43,8	41,3	35,0	27,8	23,7
	250	53,1	55,5	44,5	45,1	47,7	49,9	49,7	44,5	40,8	36,6	
	500	59,8	60,9	45,7	45,7	51,1	54,8	56,1	51,8	50,8	46,5	
	750	64,0	64,6	46,5	46,1	53,1	57,7	59,8	56,2	56,7	52,4	
	1000	67,2	67,5	47,1	46,4	54,6	59,8	62,5	59,2	60,9	56,5	
118	100	53,3	61,6	54,5	57,4	55,9	51,4	46,3	43,4	39,2	34,2	
	250	63,1	67,3	55,3	60,0	61,4	61,9	58,5	53,5	49,3	45,0	
	500	71,3	73,8	55,9	61,9	65,9	70,0	67,6	61,2	57,0	53,1	
	750	76,3	78,2	56,2	63,1	68,7	74,8	73,0	65,8	61,4	57,9	
	1000	79,8	81,5	56,4	63,9	70,7	78,2	76,8	69,1	64,6	61,3	
199	100	58,3	64,9	57,5	60,1	58,8	56,4	50,6	50,8	47,0	45,1	
	250	67,2	71,4	59,5	63,4	66,0	66,1	61,6	58,7	54,7	52,4	
	500	74,4	77,5	61,0	66,0	71,4	73,5	69,8	64,7	60,6	57,8	
	750	78,8	81,4	61,9	67,6	74,7	78,0	74,7	68,3	64,0	61,1	
	1000	81,9	84,4	62,5	68,7	77,0	81,1	78,1	70,9	66,5	63,3	

OPTIMA-R-PC-100-BM-F

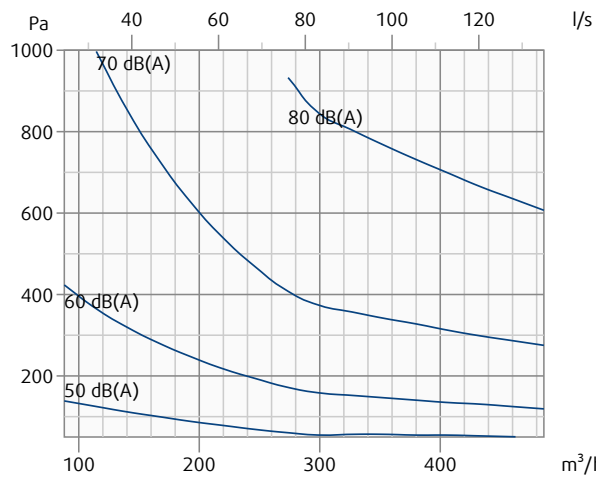
Pressure drop & A-weighted sound power level in dB(A)



	q_v	p_s	L_{WA}	L_W	L_W							
	m³/h	Pa	dB		63 Hz	125 Hz	250 Hz	500 Hz	1 kHz	2 kHz	4 kHz	8 kHz
OPTIMA-R(I)...100-BM...	57	100	46,8	55,3	48,8	52,4	46,1	44,5	42,8	36,2	28,4	23,6
		250	54,7	58,7	48,5	52,1	52,0	52,2	51,1	45,6	41,2	36,4
		500	61,3	63,5	48,4	51,9	56,5	58,2	57,4	52,8	50,9	46,1
		750	65,4	66,9	48,3	51,9	59,3	61,7	61,0	57,1	56,6	51,8
		1000	68,3	69,6	48,2	51,8	61,2	64,3	63,6	60,1	60,6	55,9
184	100	55,9	63,9	56,8	60,3	56,8	54,3	50,0	46,5	40,5	35,1	
	250	65,6	71,0	60,1	65,2	65,7	64,6	60,6	55,3	50,3	46,1	
	500	73,2	77,4	62,6	68,9	72,4	72,4	68,7	62,2	57,8	54,5	
	750	77,7	81,4	64,1	71,1	76,4	77,0	73,5	66,3	62,2	59,4	
	1000	80,9	84,4	65,2	72,6	79,3	80,2	76,9	69,3	65,3	62,9	
311	100	58,0	60,7	47,9	53,1	50,7	56,1	52,4	51,0	47,3	46,0	
	250	68,7	71,7	56,5	63,2	63,8	67,7	63,8	60,3	55,5	53,9	
	500	77,0	80,3	63,0	70,9	73,7	76,4	72,4	67,4	61,9	59,9	
	750	82,0	85,4	66,9	75,4	79,5	81,6	77,5	71,5	65,6	63,4	
	1000	85,6	89,1	69,7	78,6	83,6	85,3	81,1	74,5	68,3	65,9	

OPTIMA-R-PC-125-BM-F

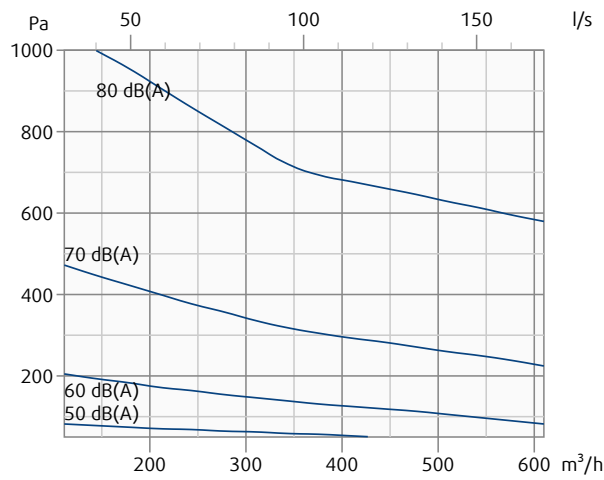
Pressure drop & A-weighted sound power level in dB(A)



	q_v	p_s	L_{WA}	L_W	L_W							
	m³/h	Pa	dB		63 Hz	125 Hz	250 Hz	500 Hz	1 kHz	2 kHz	4 kHz	8 kHz
OPTIMA-R(D)...125-BM...	88	100	47,2	55,6	49,1	52,5	46,1	46,2	42,0	36,7	28,6	23,6
		250	55,2	59,7	51,3	53,1	52,5	54,2	49,8	46,2	40,8	36,6
		500	61,6	64,5	53,0	53,8	57,4	60,2	55,8	53,5	50,1	46,5
		750	65,5	67,8	54,0	54,3	60,3	63,8	59,2	57,8	55,6	52,3
		1000	68,4	70,3	54,7	54,8	62,4	66,3	61,7	60,8	59,5	56,4
OPTIMA-R(D)...125-BM...	287	100	55,1	67,7	63,1	64,5	58,5	52,7	47,7	40,8	35,0	28,5
		250	65,0	72,3	64,1	67,7	66,9	64,2	59,1	52,7	47,2	42,3
		500	73,3	78,1	65,0	70,2	73,6	72,9	67,7	61,8	56,6	52,8
		750	78,3	82,2	65,6	71,8	77,7	78,0	72,8	67,1	62,0	58,9
		1000	81,8	85,4	66,0	72,9	80,7	81,6	76,4	71,0	65,9	63,2
OPTIMA-R(D)...125-BM...	486	100	57,9	67,1	60,6	64,4	58,3	55,3	52,7	47,3	44,5	40,7
		250	68,9	75,4	65,4	71,4	69,1	67,9	63,6	57,4	53,5	49,7
		500	77,5	82,7	69,2	76,9	77,3	77,4	72,1	65,2	60,3	56,6
		750	82,7	87,4	71,4	80,3	82,1	83,0	77,2	69,9	64,2	60,6
		1000	86,4	90,8	73,0	82,7	85,5	87,0	80,8	73,2	67,1	63,5

OPTIMA-R-PC-140-BM-F

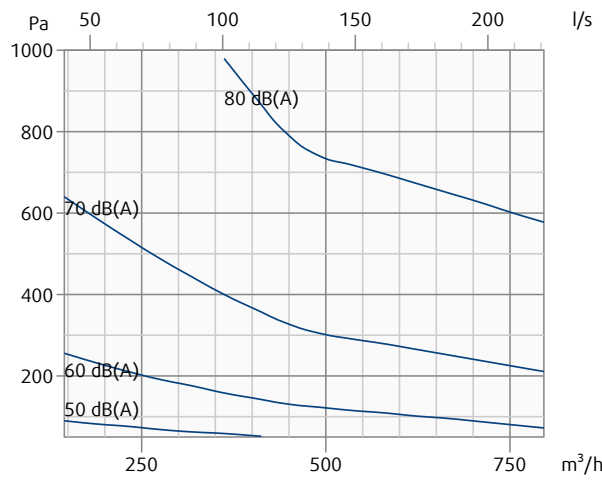
Pressure drop & A-weighted sound power level in dB(A)



	q_v	p_s	L_{WA}	L_W	L_W							
	m ³ /h	Pa	dB		63 Hz	125 Hz	250 Hz	500 Hz	1 kHz	2 kHz	4 kHz	8 kHz
OPTIMA-R(D)...140-BM...	111	100	52,0	64,0	59,8	60,7	52,9	51,2	45,3	38,1	31,7	25,5
		250	62,4	69,5	62,0	65,2	62,9	61,6	56,8	51,1	45,3	40,2
		500	70,7	75,5	63,7	68,8	70,5	69,5	65,6	60,9	55,6	51,4
		750	75,7	79,6	64,7	71,1	75,0	74,1	70,8	66,7	61,7	57,9
		1000	79,3	82,7	65,5	72,7	78,1	77,3	74,5	70,7	66,0	62,5
OPTIMA-R(D)...140-BM...	360	100	56,5	67,6	63,9	63,3	58,1	54,5	50,9	44,8	40,6	35,0
		250	67,4	75,4	67,8	71,8	68,7	66,4	61,7	55,8	51,3	46,6
		500	75,9	82,5	71,1	78,3	76,7	75,4	69,9	64,2	59,5	55,4
		750	80,8	86,9	73,1	82,3	81,4	80,6	74,7	69,0	64,2	60,6
		1000	84,4	90,1	74,5	85,1	84,8	84,4	78,2	72,5	67,6	64,2
OPTIMA-R(D)...140-BM...	610	100	61,9	66,7	58,3	62,1	58,3	58,5	58,0	52,8	50,9	47,6
		250	71,1	76,6	66,0	72,5	69,7	69,2	66,5	61,1	58,2	55,1
		500	78,4	84,5	71,9	80,5	78,4	77,4	73,2	67,4	63,7	60,7
		750	82,8	89,2	75,4	85,3	83,4	82,2	77,2	71,1	66,9	64,0
		1000	86,0	92,6	77,8	88,7	87,0	85,6	80,1	73,7	69,2	66,3

OPTIMA-R-PC-160-BM-F

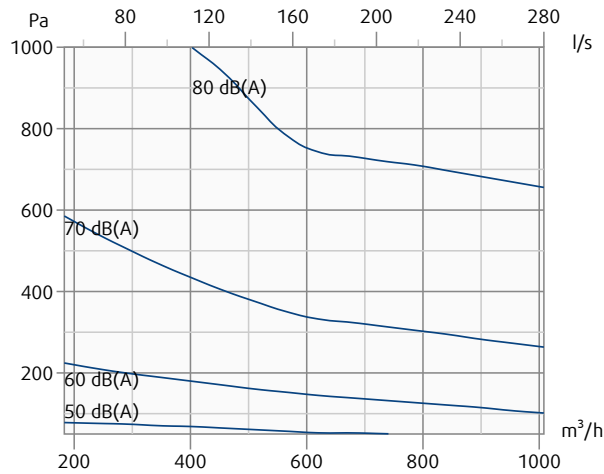
Pressure drop & A-weighted sound power level in dB(A)



	q_v	p_s	L_{WA}	L_W	L_W							
	m ³ /h	Pa	dB		63 Hz	125 Hz	250 Hz	500 Hz	1 kHz	2 kHz	4 kHz	8 kHz
OPTIMA-R(I)...160-BM...	145	100	50,9	60,3	55,3	56,8	50,6	50,7	44,6	37,9	31,1	25,9
		250	59,8	64,5	54,3	58,9	57,7	58,8	54,6	50,4	44,0	39,7
		500	67,2	69,8	53,8	60,8	63,1	65,0	62,3	59,9	53,8	50,1
		750	71,8	73,6	53,7	62,1	66,2	68,6	66,9	65,4	59,5	56,3
		1000	75,2	76,5	53,6	63,0	68,5	71,2	70,2	69,4	63,6	60,6
OPTIMA-R(I)...160-BM...	470	100	57,6	72,3	70,8	65,4	59,1	55,4	51,6	46,0	40,5	34,4
		250	67,5	75,9	70,4	71,3	68,9	66,2	61,8	56,7	51,5	46,7
		500	75,3	81,3	70,5	75,9	76,4	74,4	69,6	64,8	59,7	55,9
		750	80,0	85,1	70,8	78,6	80,8	79,2	74,2	69,5	64,6	61,4
		1000	83,3	88,1	71,1	80,6	83,9	82,6	77,5	72,9	68,0	65,3
OPTIMA-R(I)...160-BM...	796	100	62,9	70,0	65,1	65,6	59,9	60,2	59,2	53,1	50,1	46,5
		250	71,7	78,7	70,6	75,4	70,6	69,9	67,0	61,6	58,0	54,6
		500	78,6	85,8	74,9	82,9	78,7	77,2	73,0	68,1	63,9	60,7
		750	82,7	90,2	77,5	87,4	83,5	81,5	76,7	71,9	67,4	64,2
		1000	85,6	93,3	79,4	90,6	86,9	84,6	79,3	74,5	69,9	66,7

OPTIMA-R-PC-180-BM-F

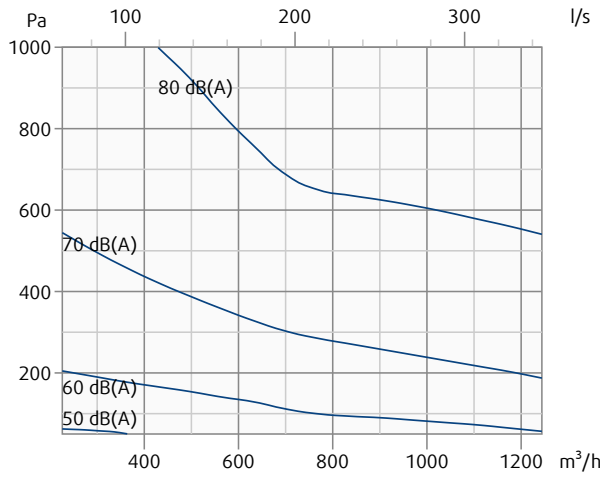
Pressure drop & A-weighted sound power level in dB(A)



	q_v	p_s	L_{WA}	L_W	L_W							
	m³/h	Pa	dB		63 Hz	125 Hz	250 Hz	500 Hz	1 kHz	2 kHz	4 kHz	8 kHz
OPTIMA-R(I)...180-BM...	183	100	52,3	61,0	56,4	56,8	51,0	52,8	45,1	39,5	32,9	26,1
		250	61,1	65,4	54,9	58,8	58,4	60,8	55,4	51,4	45,4	40,0
		500	68,3	70,9	54,3	60,8	64,0	66,8	63,2	60,4	55,0	50,5
		750	72,7	74,7	54,1	62,1	67,3	70,3	67,8	65,6	60,6	56,6
		1000	76,0	77,5	54,1	63,2	69,6	72,8	71,1	69,3	64,5	61,0
	595	100	55,7	72,4	71,2	65,0	57,4	53,2	48,8	44,6	39,6	32,0
		250	66,3	75,1	70,4	70,0	67,9	65,3	60,0	55,8	51,2	45,5
		500	74,9	80,6	70,0	74,1	76,1	74,4	68,5	64,2	59,9	55,8
		750	80,0	84,9	70,0	76,6	80,9	79,7	73,5	69,2	65,1	61,8
		1000	83,7	88,2	70,1	78,4	84,4	83,5	77,1	72,6	68,7	66,0
	1008	100	59,9	71,0	69,3	63,9	57,3	56,9	56,3	50,5	47,5	43,9
		250	69,5	78,0	73,3	73,9	68,9	67,7	64,5	59,6	56,3	52,9
		500	77,0	84,9	76,6	81,6	77,8	75,9	70,8	66,5	62,9	59,7
		750	81,5	89,3	78,7	86,1	82,9	80,7	74,6	70,5	66,7	63,6
		1000	84,8	92,5	80,3	89,4	86,6	84,1	77,3	73,4	69,5	66,5

OPTIMA-R-PC-200-BM-F

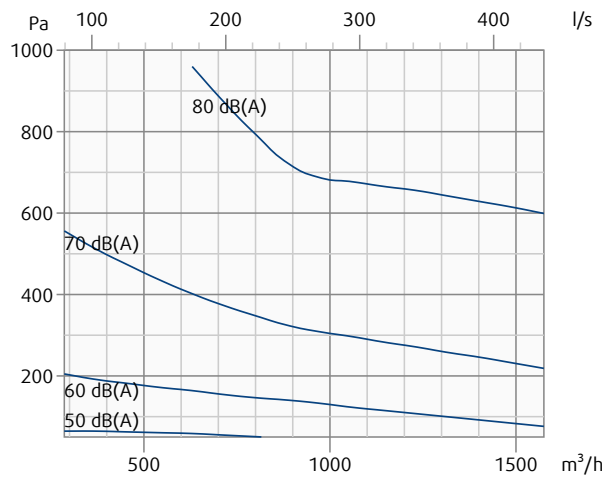
Pressure drop & A-weighted sound power level in dB(A)



	q_v	p_s	L_{WA}	L_W	L_W							
	m³/h	Pa	dB		63 Hz	125 Hz	250 Hz	500 Hz	1 kHz	2 kHz	4 kHz	8 kHz
OPTIMA-R(I)...200-BM...	226	100	53,5	65,4	63,3	59,2	53,0	54,1	45,3	39,8	32,5	26,4
		250	61,9	67,9	61,4	62,0	60,3	61,9	55,8	51,9	45,4	40,3
		500	69,1	72,6	60,1	64,7	65,9	67,8	63,8	61,0	55,2	50,8
		750	73,5	76,1	59,3	66,5	69,1	71,3	68,6	66,3	61,0	57,0
		1000	76,8	78,8	58,8	67,9	71,4	73,8	72,1	70,1	65,1	61,4
	735	100	59,9	79,5	79,0	69,4	58,0	55,3	50,5	45,5	38,9	32,3
		250	68,2	80,6	78,9	73,6	69,3	67,2	61,4	57,0	51,2	45,5
		500	76,6	84,0	78,8	77,5	77,9	76,3	69,7	65,7	60,5	55,5
		750	81,7	87,6	78,8	80,2	83,0	81,6	74,6	70,7	66,0	61,4
		1000	85,4	90,6	78,8	82,2	86,7	85,3	78,1	74,3	69,8	65,5
	1244	100	64,5	78,3	77,3	69,6	60,9	61,6	60,7	53,9	50,0	46,0
		250	72,6	84,3	82,3	78,0	71,7	70,9	67,3	62,4	58,3	54,4
		500	79,2	89,5	86,1	84,8	79,9	78,1	72,6	68,8	64,6	60,7
		750	83,3	93,0	88,3	88,9	84,7	82,3	75,8	72,5	68,3	64,4
		1000	86,2	95,6	89,9	91,8	88,1	85,3	78,1	75,2	70,9	67,1

OPTIMA-R-PC-225-BM-F

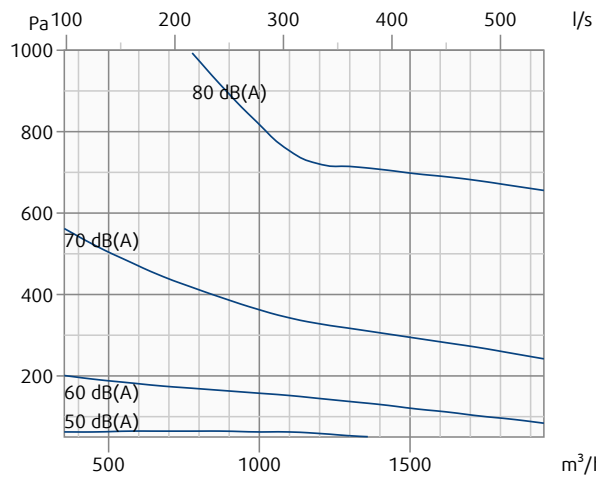
Pressure drop & A-weighted sound power level in dB(A)



	q_v	p_s	L_{WA}	L_W	L_W							
	m ³ /h	Pa	dB		63 Hz	125 Hz	250 Hz	500 Hz	1 kHz	2 kHz	4 kHz	8 kHz
OPTIMA-R(I)...225-BM...	286	100	53,6	63,5	59,4	59,2	53,4	54,2	46,1	40,5	33,0	26,6
		250	61,9	67,6	59,1	62,0	60,8	61,7	56,1	52,1	45,7	40,4
		500	68,9	72,5	58,9	64,6	66,3	67,5	63,8	60,9	55,3	51,0
		750	73,2	75,9	58,8	66,3	69,6	70,8	68,3	66,0	61,0	57,1
		1000	76,4	78,5	58,8	67,6	71,9	73,2	71,5	69,6	65,0	61,5
	930	100	56,7	72,9	71,4	66,7	57,1	54,5	49,3	44,4	37,3	30,3
		250	67,2	76,8	72,6	72,1	68,6	66,4	60,6	56,2	50,3	44,3
		500	75,9	82,5	73,6	77,0	77,5	75,4	69,2	65,1	60,1	55,0
		750	81,1	86,7	74,2	80,1	82,6	80,7	74,3	70,4	65,9	61,2
		1000	84,7	90,0	74,6	82,4	86,3	84,4	77,9	74,1	69,9	65,6
	1575	100	62,5	74,7	72,7	68,8	61,3	61,1	56,7	52,1	47,4	43,0
		250	71,3	81,3	77,5	77,0	71,6	70,1	65,0	61,1	56,7	52,3
		500	78,2	87,1	81,2	83,4	79,5	77,0	71,3	67,9	63,7	59,4
		750	82,3	90,7	83,3	87,3	84,0	81,2	75,0	71,9	67,8	63,5
		1000	85,2	93,5	84,9	90,0	87,3	84,1	77,7	74,7	70,7	66,4

OPTIMA-R-PC-250-BM-F

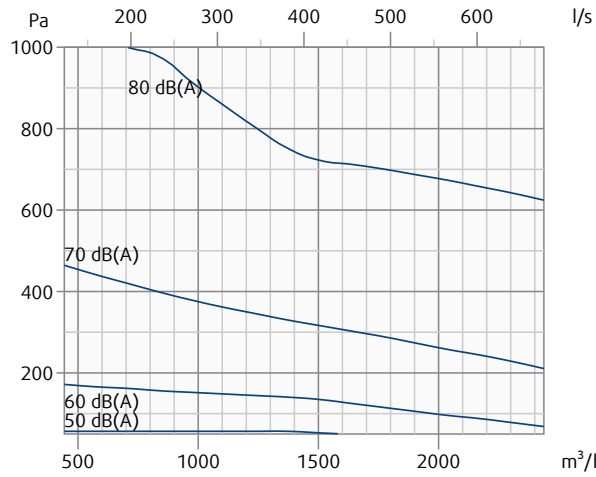
Pressure drop & A-weighted sound power level in dB(A)



	q_v	p_s	L_{WA}	L_W	L_W							
	m³/h	Pa	dB		63 Hz	125 Hz	250 Hz	500 Hz	1 kHz	2 kHz	4 kHz	8 kHz
OPTIMA-R(I)...250-BM...	353	100	53,9	63,1	57,8	59,2	53,8	54,5	46,9	41,3	33,5	26,7
		250	62,1	67,6	57,7	62,1	61,2	61,7	56,5	52,3	46,0	40,6
		500	68,8	72,5	58,1	64,6	66,8	67,3	63,8	60,7	55,4	51,1
		750	73,0	75,8	58,5	66,1	70,1	70,5	68,1	65,7	61,0	57,3
		1000	76,0	78,4	58,8	67,3	72,4	72,8	71,2	69,1	64,9	61,7
	1149	100	55,3	71,4	70,2	64,2	56,3	53,7	48,2	43,4	35,7	28,3
		250	66,4	75,4	70,5	71,0	68,0	65,5	59,9	55,5	49,4	43,2
		500	75,2	81,7	71,0	76,6	77,0	74,5	68,8	64,6	59,7	54,5
		750	80,5	86,3	71,5	80,1	82,3	79,8	74,0	70,0	65,7	61,1
		1000	84,2	89,7	71,9	82,7	86,1	83,6	77,6	73,8	70,0	65,7
	1944	100	61,6	77,0	76,1	68,3	61,7	60,7	53,7	50,2	44,9	40,0
		250	70,3	81,1	78,0	76,1	71,5	69,2	63,1	59,8	55,0	50,3
		500	77,2	86,0	79,8	82,1	79,0	76,0	70,2	67,0	62,7	58,0
		750	81,4	89,4	81,0	85,7	83,4	80,0	74,3	71,3	67,2	62,6
		1000	84,3	92,0	82,0	88,3	86,5	83,0	77,3	74,3	70,4	65,8

OPTIMA-R-PC-280-BM-F

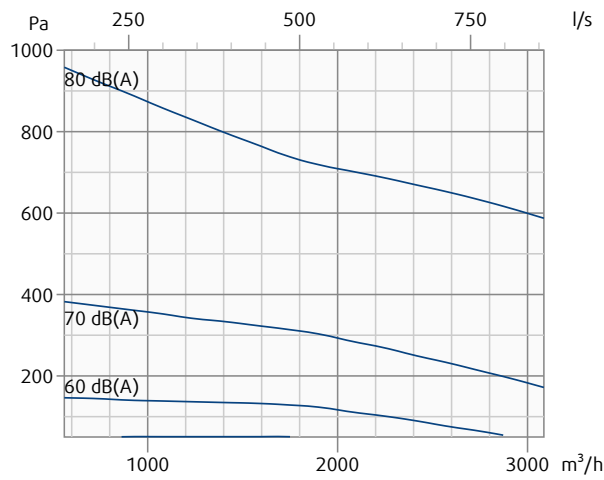
Pressure drop & A-weighted sound power level in dB(A)



	q_v	p_s	L_{WA}	L_W	L_W							
	m ³ /h	Pa	dB		63 Hz	125 Hz	250 Hz	500 Hz	1 kHz	2 kHz	4 kHz	8 kHz
OPTIMA-R(I)...280-BM...	443	100	55,0	65,2	59,9	62,0	55,1	54,7	48,9	43,3	34,9	27,5
		250	63,7	69,9	60,8	65,2	63,7	62,7	58,5	54,2	47,6	41,9
		500	70,8	75,1	61,7	68,1	70,2	68,8	65,8	62,5	57,3	52,8
		750	75,0	78,6	62,3	70,0	74,0	72,4	70,1	67,4	63,0	59,2
		1000	78,1	81,3	62,8	71,4	76,7	74,9	73,2	70,8	67,0	63,7
	1441	100	56,2	71,6	70,1	65,0	56,9	54,8	49,5	45,0	37,9	30,7
		250	66,9	76,5	71,8	72,1	68,6	65,7	60,6	56,6	50,9	45,0
		500	75,4	82,6	73,3	78,1	77,5	74,1	69,0	65,3	60,7	55,8
		750	80,4	86,9	74,4	81,7	82,7	79,0	73,9	70,5	66,5	62,2
		1000	83,9	90,1	75,2	84,4	86,4	82,5	77,4	74,1	70,6	66,7
	2438	100	63,3	76,1	74,5	68,7	62,7	63,4	55,6	52,3	47,6	43,3
		250	71,5	81,8	78,2	77,0	72,3	70,8	64,3	61,2	56,8	52,6
		500	77,9	87,1	81,4	83,3	79,7	76,6	70,9	67,9	63,8	59,7
		750	81,7	90,5	83,4	87,0	83,9	80,0	74,8	71,8	67,9	63,8
		1000	84,4	93,0	84,9	89,7	87,0	82,4	77,5	74,6	70,8	66,7

OPTIMA-R-PC-315-BM-F

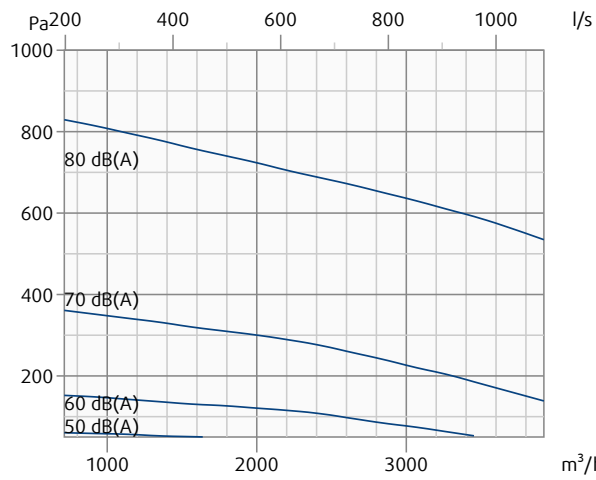
Pressure drop & A-weighted sound power level in dB(A)



	q_v	p_s	L_{WA}	L_W	L_W							
	m³/h	Pa	dB		63 Hz	125 Hz	250 Hz	500 Hz	1 kHz	2 kHz	4 kHz	8 kHz
OPTIMA-R(D)...315-BM...	561	100	56,3	67,7	62,3	65,1	56,4	54,9	50,8	45,4	36,3	28,4
		250	65,5	72,5	64,0	68,4	66,2	63,8	60,6	56,1	49,3	43,2
		500	72,9	77,9	65,4	71,7	73,6	70,4	68,0	64,3	59,2	54,4
		750	77,3	81,7	66,2	73,8	77,9	74,3	72,3	69,1	65,0	61,0
		1000	80,5	84,5	66,8	75,5	81,0	77,1	75,4	72,5	69,1	65,7
	1824	100	57,2	71,9	70,2	65,9	57,6	56,0	50,7	46,6	40,1	33,2
		250	67,5	77,6	73,2	73,4	69,2	66,0	61,2	57,7	52,4	46,8
		500	75,6	83,7	75,7	79,7	78,0	73,7	69,2	66,0	61,8	57,2
		750	80,4	87,8	77,3	83,6	83,2	78,2	73,9	71,0	67,3	63,3
		1000	83,9	90,9	78,5	86,5	86,9	81,4	77,2	74,5	71,2	67,6
	3086	100	66,1	75,8	73,1	69,2	63,7	67,5	57,5	54,4	50,3	46,7
		250	72,9	82,6	78,6	78,0	73,1	72,8	65,5	62,6	58,6	55,0
		500	78,6	88,3	83,1	84,6	80,3	77,2	71,6	68,7	64,9	61,3
		750	82,1	91,9	86,0	88,5	84,5	80,0	75,2	72,3	68,5	65,0
		1000	84,7	94,5	88,1	91,3	87,5	82,0	77,7	74,9	71,1	67,6

OPTIMA-R-PC-355-BM-F

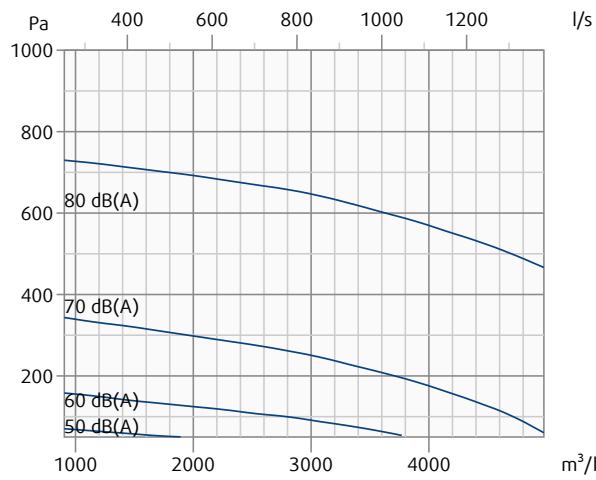
Pressure drop & A-weighted sound power level in dB(A)



	q_v	p_s	L_{WA}	L_W	L_W							
	m ³ /h	Pa	dB		63 Hz	125 Hz	250 Hz	500 Hz	1 kHz	2 kHz	4 kHz	8 kHz
OPTIMA-R(D)...355-BM...	713	100	55,2	66,8	63,8	62,4	55,3	53,7	50,0	44,4	35,6	28,1
		250	65,7	72,9	66,4	68,3	66,2	63,5	60,8	56,3	49,6	43,5
		500	73,9	79,2	68,5	73,3	74,5	71,0	69,0	65,3	60,2	55,2
		750	78,8	83,3	69,8	76,5	79,3	75,4	73,9	70,6	66,4	62,1
		1000	82,3	86,5	70,6	78,8	82,8	78,5	77,3	74,4	70,8	66,9
	2316	100	58,7	72,3	70,6	65,9	58,3	57,9	52,6	48,1	42,0	35,1
		250	68,6	78,3	74,4	73,6	69,3	67,0	62,8	59,2	54,1	48,5
		500	76,3	84,0	77,5	79,8	77,5	73,8	70,5	67,5	63,3	58,8
		750	80,9	87,8	79,4	83,6	82,4	77,9	75,0	72,4	68,7	64,7
		1000	84,2	90,7	80,8	86,3	85,8	80,7	78,2	75,9	72,5	69,0
	3920	100	67,8	77,1	74,4	69,9	64,7	69,7	59,7	56,2	51,8	48,2
		250	74,2	83,5	79,9	78,3	73,4	74,4	67,3	64,2	60,1	56,5
		500	79,5	88,9	84,4	84,6	80,0	77,9	73,1	70,3	66,4	62,7
		750	82,7	92,1	87,2	88,4	83,9	80,1	76,5	73,8	70,0	66,4
		1000	85,1	94,5	89,1	91,0	86,7	81,6	78,9	76,3	72,6	68,9

OPTIMA-R-PC-400-BM-F

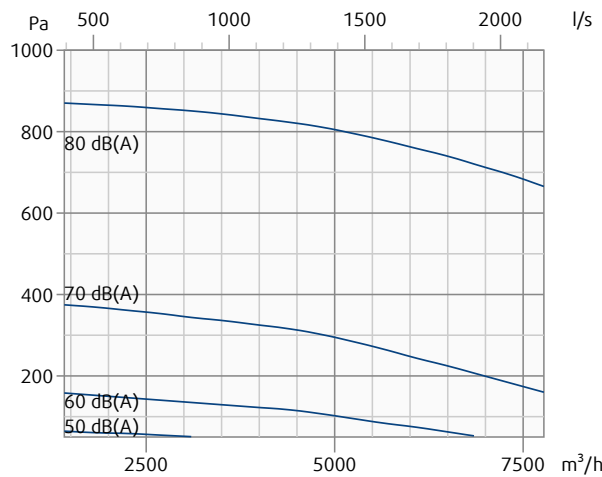
Pressure drop & A-weighted sound power level in dB(A)



	q_v	p_s	L_{WA}	L_W	L_W							
	m ³ /h	Pa	dB		63 Hz	125 Hz	250 Hz	500 Hz	1 kHz	2 kHz	4 kHz	8 kHz
OPTIMA-R(I)...400-BM...	905	100	54,3	67,0	65,5	59,7	54,4	52,6	49,1	43,4	34,9	27,9
		250	65,9	73,6	69,1	68,2	66,3	63,5	61,1	56,4	49,8	43,9
		500	75,0	80,6	71,8	75,1	75,4	71,9	70,1	66,3	61,1	56,0
		750	80,4	85,2	73,5	79,3	80,8	76,8	75,4	72,2	67,8	63,1
		1000	84,2	88,7	74,6	82,3	84,6	80,3	79,2	76,3	72,5	68,2
	2941	100	60,5	73,9	72,7	66,0	59,3	60,2	54,5	49,7	43,9	37,0
		250	69,8	79,8	77,1	73,9	69,4	68,0	64,4	60,7	55,8	50,3
		500	77,1	85,0	80,5	80,0	77,1	74,1	71,8	69,0	64,8	60,3
		750	81,6	88,4	82,5	83,7	81,6	77,7	76,2	73,9	70,0	66,2
		1000	84,7	91,0	84,0	86,3	84,8	80,2	79,3	77,4	73,8	70,4
	4976	100	71,6	80,0	77,0	70,6	66,0	75,0	61,9	58,0	53,3	49,7
		250	76,0	85,2	82,3	78,6	73,8	77,0	69,2	65,9	61,6	57,9
		500	80,5	89,8	86,5	84,7	79,8	78,9	74,6	71,8	67,9	64,1
		750	83,5	92,8	88,9	88,3	83,4	80,2	77,9	75,3	71,6	67,7
		1000	85,7	94,9	90,7	90,8	85,9	81,3	80,1	77,8	74,2	70,3

OPTIMA-R-PC-500-BM-F

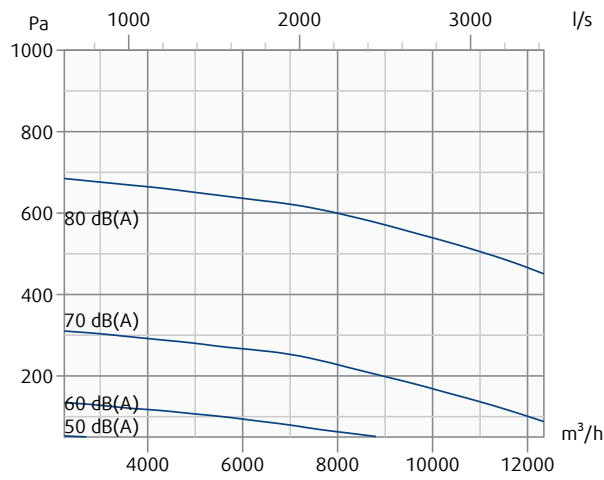
Pressure drop & A-weighted sound power level in dB(A)



	q_v	p_s	L_{WA}	L_W	L_W							
	m ³ /h	Pa	dB		63 Hz	125 Hz	250 Hz	500 Hz	1 kHz	2 kHz	4 kHz	8 kHz
OPTIMA-R(I)...500-BM...	1414	100	54,9	64,4	62,8	56,1	51,5	51,6	51,0	46,9	40,1	31,0
		250	65,3	72,1	67,7	66,3	63,9	62,0	60,8	57,2	52,3	46,2
		500	73,4	79,4	71,7	74,7	73,5	69,9	68,3	65,0	61,7	57,7
		750	78,2	84,2	74,1	79,8	79,1	74,5	72,7	69,7	67,2	64,4
		1000	81,7	87,8	75,8	83,5	83,1	77,8	75,8	72,9	71,1	69,2
	4595	100	58,8	72,0	70,8	63,6	58,9	55,5	53,7	49,3	43,9	35,6
		250	67,8	78,1	75,8	72,0	67,5	63,6	62,6	59,5	55,4	49,4
		500	74,8	83,4	79,8	78,4	74,3	69,7	69,4	67,3	64,2	59,9
		750	79,1	86,8	82,2	82,3	78,4	73,3	73,4	71,9	69,3	66,1
		1000	82,1	89,3	84,0	85,0	81,3	75,9	76,2	75,1	72,9	70,4
	7775	100	67,0	77,0	75,2	68,1	65,9	66,4	60,9	57,6	53,4	47,6
		250	73,0	83,3	81,2	76,6	71,9	70,4	67,3	64,7	61,3	56,7
		500	77,9	88,4	85,9	83,0	77,0	73,6	72,1	70,0	67,3	63,6
		750	80,9	91,6	88,8	86,7	80,2	75,5	75,0	73,2	70,8	67,7
		1000	83,1	93,9	90,9	89,4	82,5	76,9	77,0	75,4	73,3	70,5

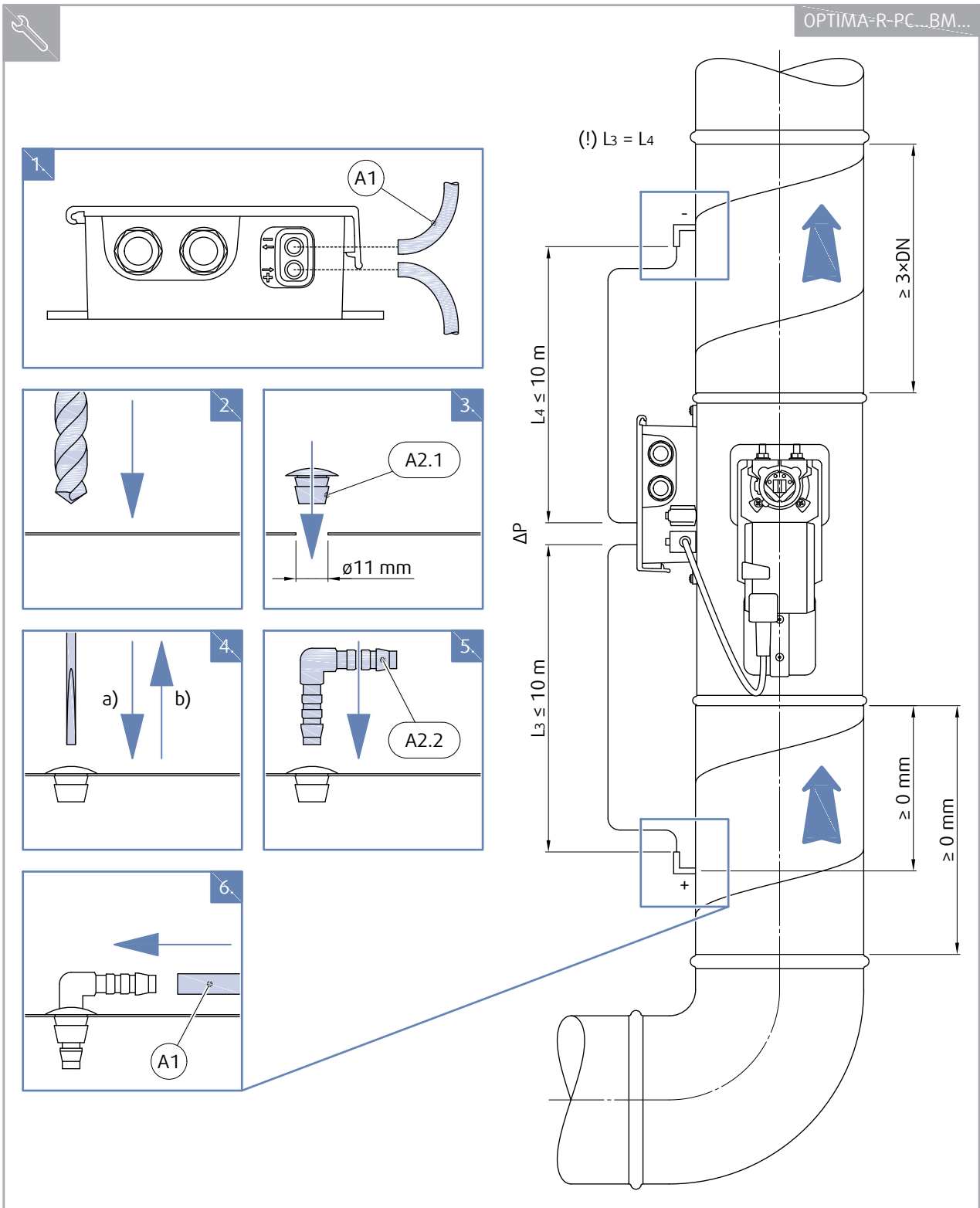
OPTIMA-R-PC-630-BM-F

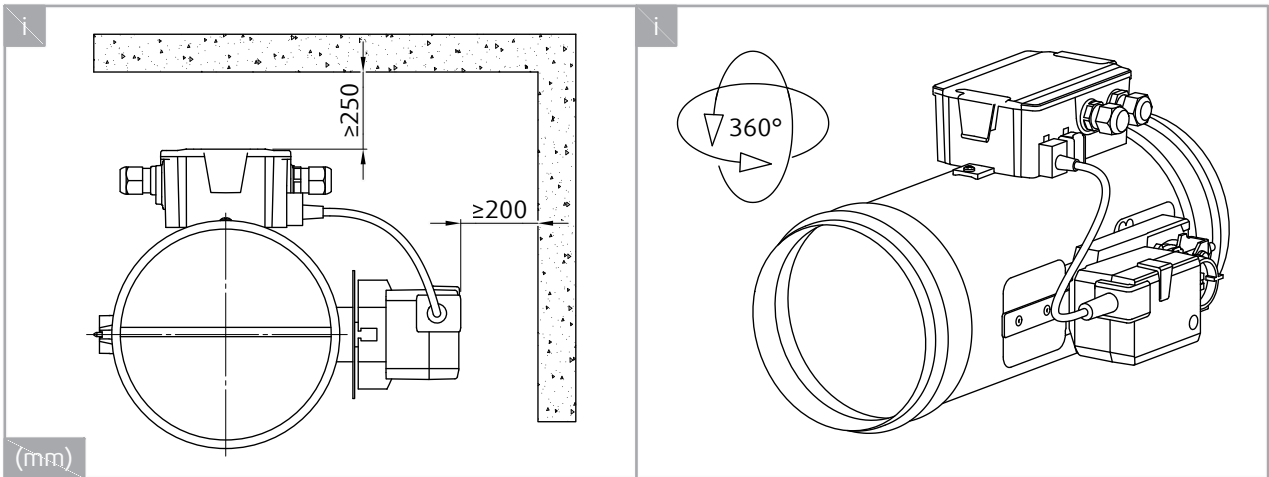
Pressure drop & A-weighted sound power level in dB(A)



	q_v	p_s	L_{WA}	L_w	L_w							
	m ³ /h	Pa	dB		63 Hz	125 Hz	250 Hz	500 Hz	1 kHz	2 kHz	4 kHz	8 kHz
OPTIMA-R(I)...630-BM...	2244	100	56,7	68,6	65,6	64,3	56,6	54,4	51,4	46,9	39,9	31,2
		250	67,4	74,8	69,4	70,3	66,7	65,0	62,4	58,6	54,7	48,8
		500	75,9	80,9	72,2	75,4	74,3	73,0	70,7	67,6	66,1	62,2
		750	81,2	85,0	73,9	78,6	78,8	77,7	75,6	72,8	72,8	70,0
		1000	85,1	88,2	75,1	81,0	82,0	81,0	79,1	76,5	77,6	75,5
	7294	100	62,1	77,4	74,5	73,5	63,9	58,8	54,3	49,3	43,8	36,7
		250	70,1	81,2	78,0	76,9	70,3	67,0	64,2	61,0	57,9	52,6
		500	77,5	84,7	80,6	79,6	75,2	73,3	71,8	69,9	68,7	64,7
		750	82,4	87,3	82,2	81,2	78,0	76,9	76,4	75,1	75,1	71,7
		1000	86,1	89,5	83,3	82,4	80,0	79,5	79,5	79,6	78,8	79,7
	12344	100	70,6	82,7	79,0	78,9	70,9	71,5	61,7	57,7	53,4	51,0
		250	75,8	86,6	83,4	82,0	74,8	75,0	69,0	66,2	63,9	61,1
		500	80,8	89,8	86,8	84,3	77,9	77,7	74,7	72,7	72,0	68,7
		750	84,2	91,7	88,8	85,7	79,8	79,4	78,0	76,5	76,8	73,3
		1000	86,7	93,3	90,3	86,7	81,1	80,7	80,4	79,2	80,2	76,5

Installation

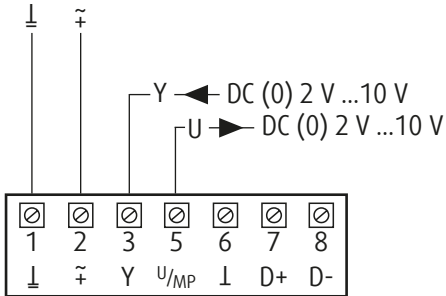




Electrical Connections

AC/DC 24 V, modulating (Pressure control)

The ΔP controller operates with setpoint adjusted through analog input signal (terminal 3) and feedback signal (terminal 5).



Additional functions can be activated by connecting the override inputs z1 and z2.

The priority of these functions is higher than the ΔP modulating operation with analog input.

Override control z1

Contact 11-9 = Motor STOP

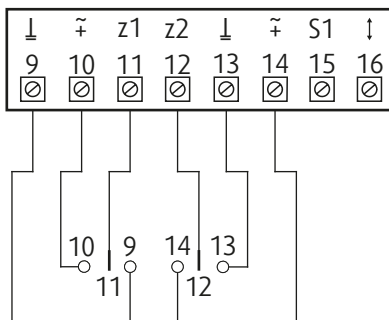
Contact 11-10 = Damper OPEN

Override control z2

Contact 12-13 = Damper CLOSED

Contact 12-14 = P_{\max}

11 and 12 without contact = no priority override through z1 or z2



Priority rule - Analog ΔP control

1. z1
2. z2
3. a) adaption (autonomous initializing controller function)
4. b) synchronisation (autonomous initializing controller function)
5. Y-Modulating: $P_{\min} \dots P_{\max}$ (through analog input)

AC/DC 24 V, contactor step control (Constant pressure control)

The ΔP controller operates with setpoint in discrete steps generated by different potentials connected to the analog input (terminal 3) and analog feedback signal (terminal 5).

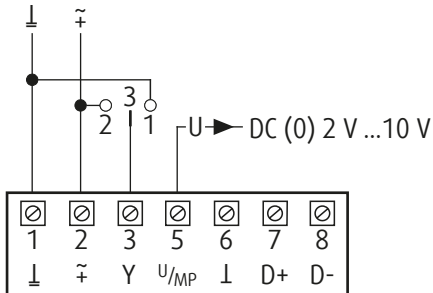
Contact 2-3 = P_{\max}

3 not connected = P_{\min}

Contact 1-3 = damper CLOSE (control signal mode 2...10V)

Contact 1-3 = P_{\min} (control signal mode 0...10 V)

The control signal mode can be adjusted in the ΔP controller by the handheld configuration tool ZTH-EU.



Additional functions can be activated by connecting the override inputs z1 and z2.

The priority of these functions is higher than the ΔP modulating operation with analog input.

Override control z1

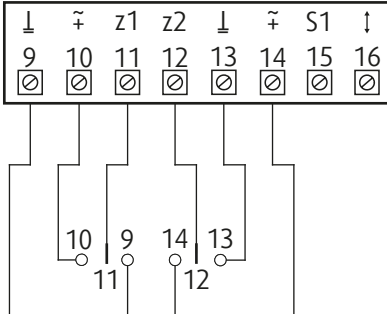
Contact 11-9 = Motor STOP

Contact 11-10 = Damper OPEN

Override control z2 Contact 12-13 = Damper CLOSED

Contact 12-14 = P_{\max}

11 and 12 without contact = no priority override through z1 or z2



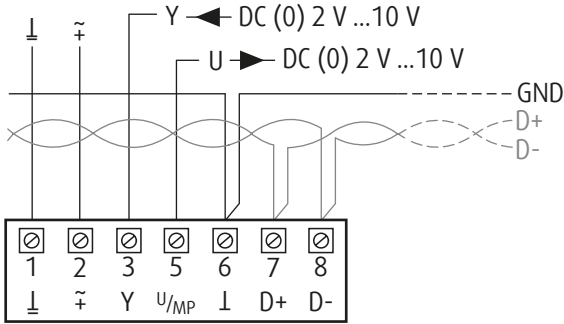
Priority rule - Step-Control

1. z1
2. z2
3. a) adaption (autonomous initializing controller function)
4. b) synchronisation (autonomous initializing controller function)
5. Y-Step Control: Close - P_{\min} - P_{\max} (through analog input)

BACnet MS/TP or Modbus RTU

(This operation mode requires parametrization)

ΔP control in $P_{min} \dots P_{max}$ range and other functionalities with all variables communicated through bus (terminals 7, 8) – by Modbus or BACnet protocol.



Additional functions can be activated by connecting the override inputs z1 and z2.

The priority of these functions is higher than the ΔP modulating operation with analog input.

Override control z1

Contact 11-9 = Motor STOP

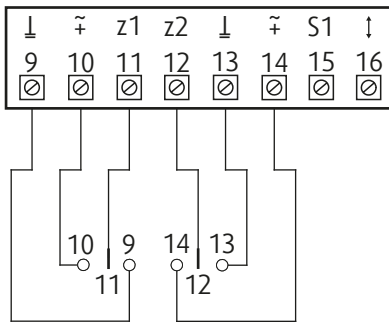
Contact 11-10 = Damper OPEN

Override control z2

Contact 12-13 = Damper CLOSED

Contact 12-14 = P_{max}

11 and 12 without contact = no priority override through z1 or z2



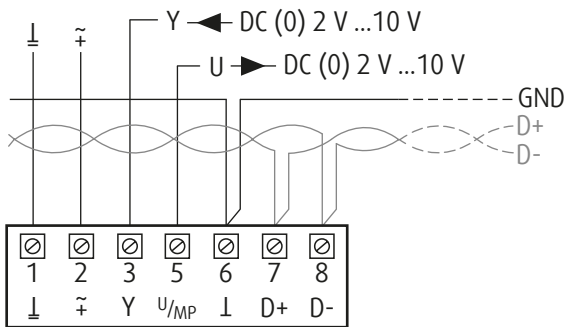
Priority rule – BACnet / Modbus Control

1. z1
2. z2
3. Bus Watchdog
4. a) adaption (autonomous initializing controller function)
5. b) synchronisation (autonomous initializing controller function)
6. Bus Override
7. Bus Setpoint: $P_{min} \dots P_{max}$

BACnet MS/TP or Modbus RTU with analog setpoint (hybrid mode)

(This operation mode requires parametrization)

ΔP control in $P_{\min} \dots P_{\max}$ range and other functionalities with setpoint reading through analog input (terminal 3) and feedback through analog output (terminal 5). All other variables are communicated through bus (terminals 7, 8) – by Modbus or BACnet protocol.



Additional functions can be activated by connecting the override inputs z1 and z2.

The priority of these functions is higher than the ΔP modulating operation with analog input.

Override control z1

Contact 11-9 = Motor STOP

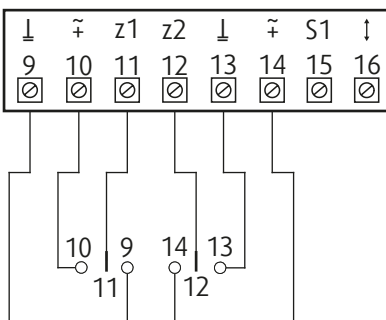
Contact 11-10 = Damper OPEN

Override control z2

Contact 12-13 = Damper CLOSED

Contact 12-14 = P_{\max}

11 and 12 without contact = no priority override through z1 or z2



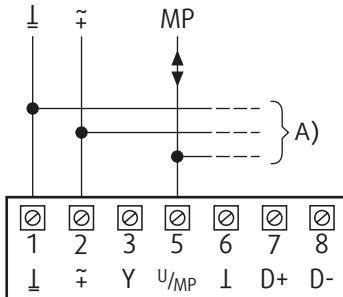
Priority rule – BACnet / Modbus Control

1. z1
2. z2
3. Bus Watchdog
4. a) adaption (autonomous initializing controller function)
5. b) synchronisation (autonomous initializing controller function)
6. Bus Override
7. Y-Step Control: Close – P_{\min} - P_{\max} (through analog input – see wiring for AC/DC 24V Step Control)
8. Y-Modulating: $P_{\min} \dots P_{\max}$ (through analog input – see wiring for Modulating VAV)

MP-Bus

(This operation mode requires parametrization)

ΔP control in $P_{\min} \dots P_{\max}$ range and other functionalities with all variables communicated through bus (terminals 1, 2, 5) – by MP-Bus protocol.



Additional functions can be activated by connecting the override inputs z1 and z2.

The priority of these functions is higher than the ΔP modulating operation with analog input.

Override control z1

Contact 11-9 = Motor STOP

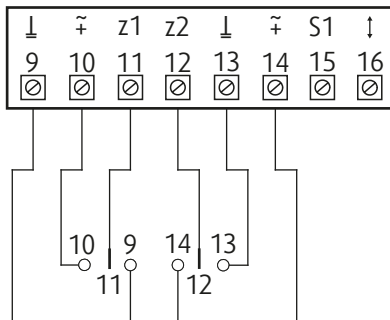
Contact 11-10 = Damper OPEN

Override control z2

Contact 12-13 = Damper CLOSED

Contact 12-14 = P_{\max}

11 and 12 without contact = no priority override through z1 or z2



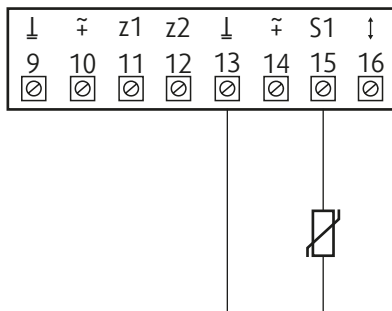
Priority rule – BACnet / Modbus Control

1. z1
2. z2
3. Bus Watchdog
4. a) adaption (autonomous initializing controller function)
5. b) synchronisation (autonomous initializing controller function)
6. Y-Step Control: Close – P_{\min} - P_{\max} (through analog input – see wiring for AC/DC 24V Step Control)
7. Bus Override
8. Bus Setpoint: $P_{\min} \dots P_{\max}$

Connection of passive sensor

(Available in bus operation)

The value measured by the passive sensor can be communicated as a variable by bus.

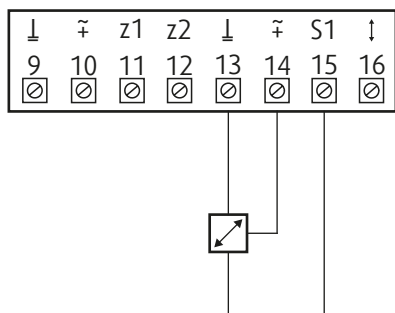


Suitable for Ni1000 and Pt1000

Connection of active sensor

(Available in bus operation)

The value measured by the active sensor can be communicated as a variable by bus.



Possible input voltage range:

DC 0...10 V (resolution 5 mV)

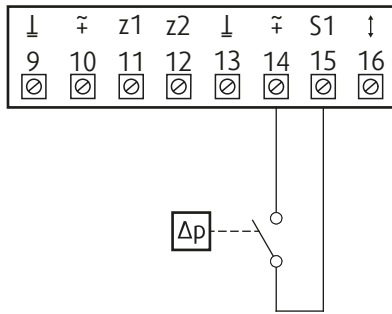
Example:

- Active temperature sensors
- setpoint generator
- humidity sensor

Connection switching contact

(Available in bus operation)

The binary value of the switching contact can be communicated as a variable by bus.



Requirements switching contact: The switch must be capable of switching a current of 10 mA @ 24 V cleanly.

Example:

- dP sensor
- window contact

Transport, Storage and Operation

Transport and storage temperature range: -20 °C to +40 °C, dry indoor conditions.

Operation temperature range: -20 °C ... +70 °C in the duct, -20 °C ... +50 °C on the actuator.

Supplement

Any deviations from the technical specifications contained herein and the terms should be discussed with the manufacturer. We reserve the right to make any changes to the product without prior notice, provided that these changes do not affect the quality of the product and the required parameters.

Current information on all products is available on design.systemair.com.

