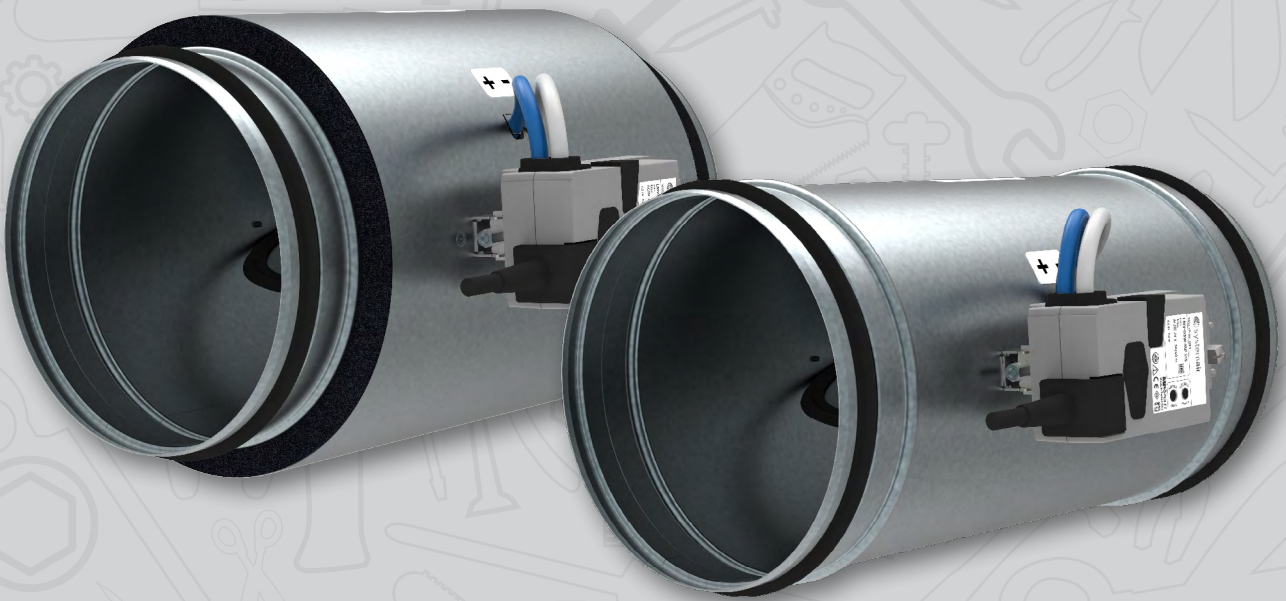
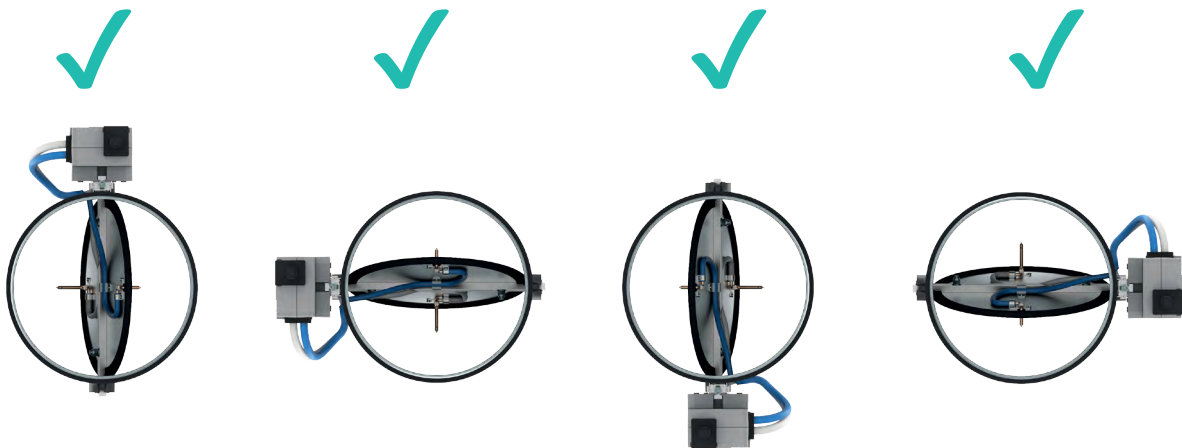
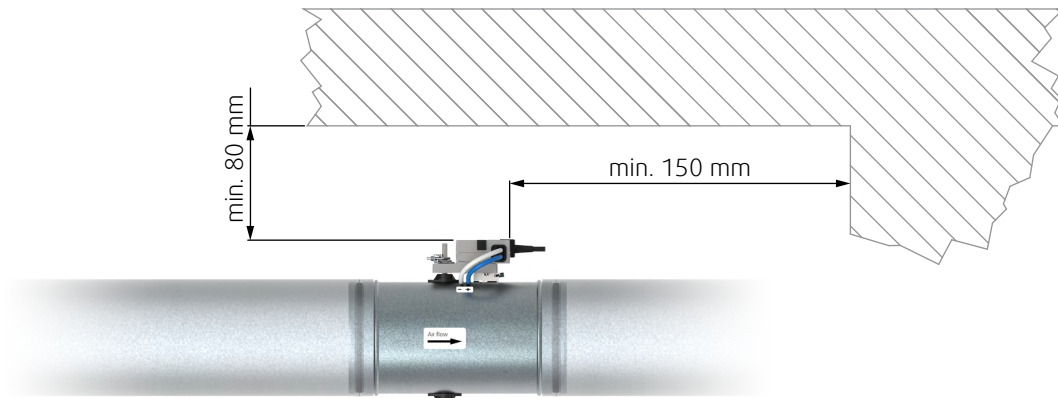
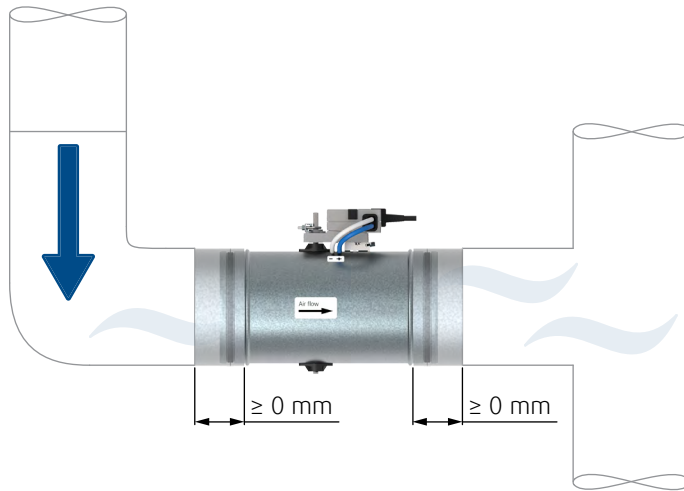


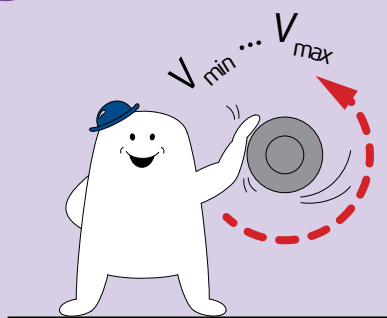
# OPTIMA-LV-R

Low Velocity VAV Controller

User Manual







<b>OPTIMA-LV...</b>	<b>-R</b>	<b>-R-MOD</b> (MODBUS)	<b>-R-MOD</b> (BACnet)
	<b>-RI</b>	<b>-RI-MOD</b> (MODBUS)	<b>-RI-MOD</b> (BACnet)

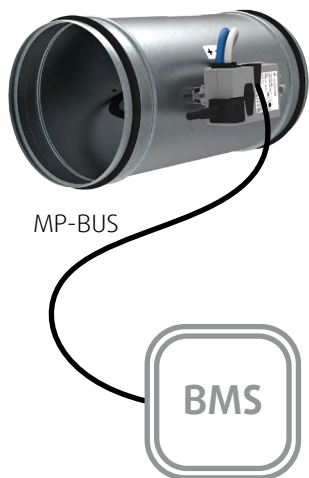
- R**
- RI**
- R-MOD**  
(MODBUS)
- RI-MOD**  
(MODBUS)



- R**
- RI**



- R**
- RI**



- R-MOD**  
(MODBUS)
- RI-MOD**  
(MODBUS)
- R-MOD**  
(BACnet)
- RI-MOD**  
(BACnet)



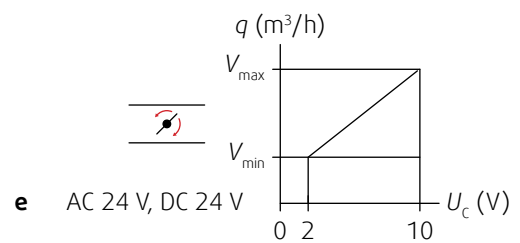
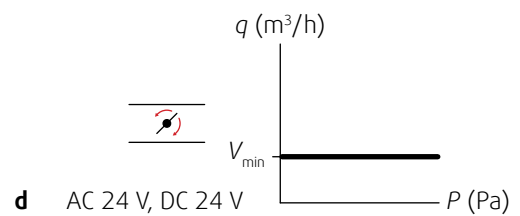
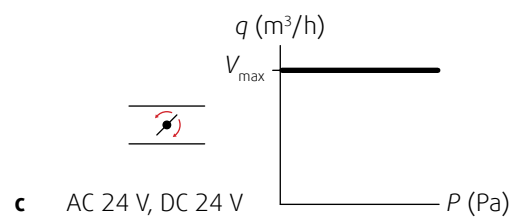
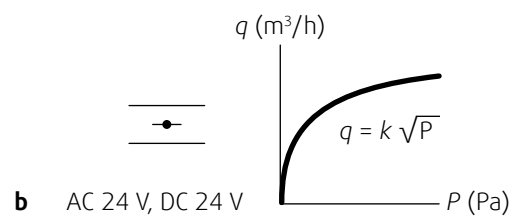
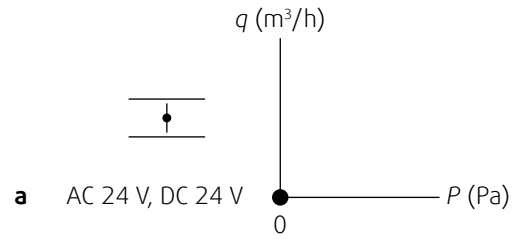
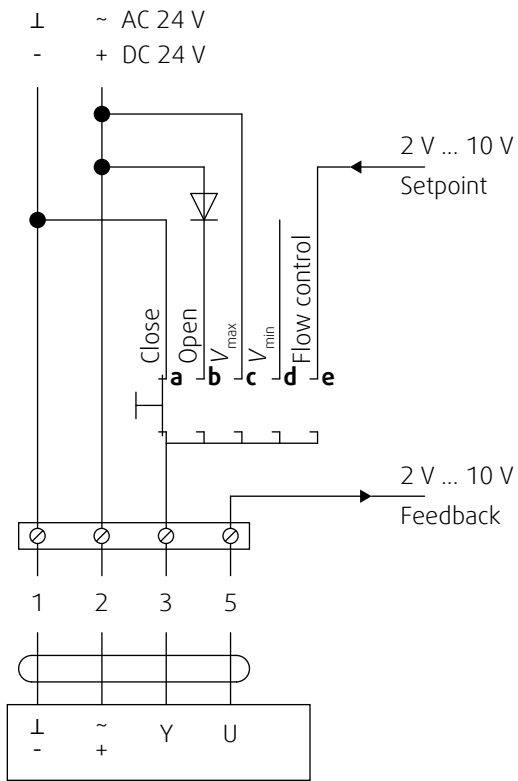


OPTIMA-LV...

-R

-RI

(DC 2 V ... 10 V)



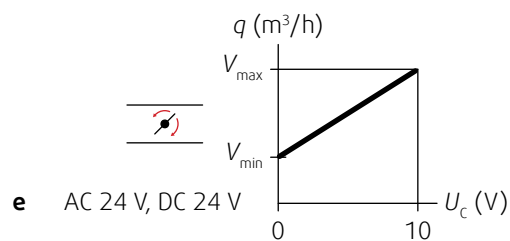
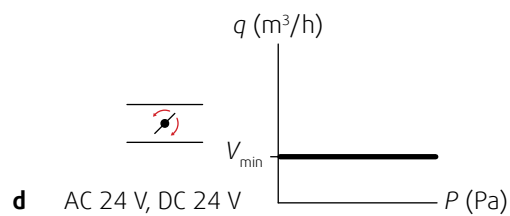
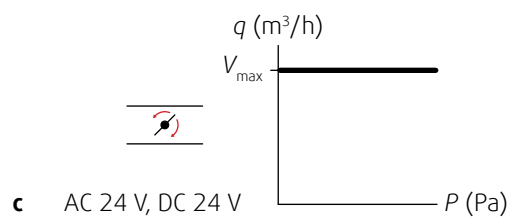
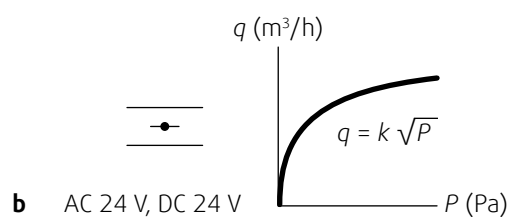
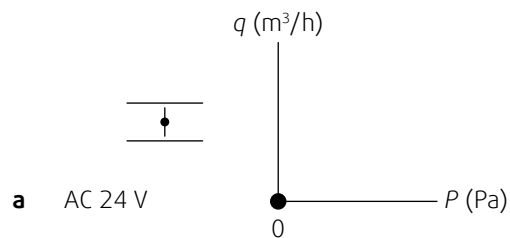
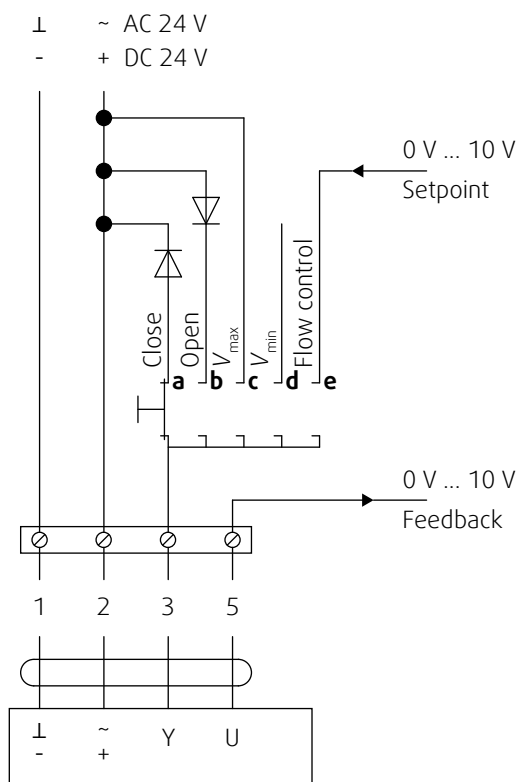


OPTIMA-LV...

-R

-RI

(DC 0 V ... 10 V)

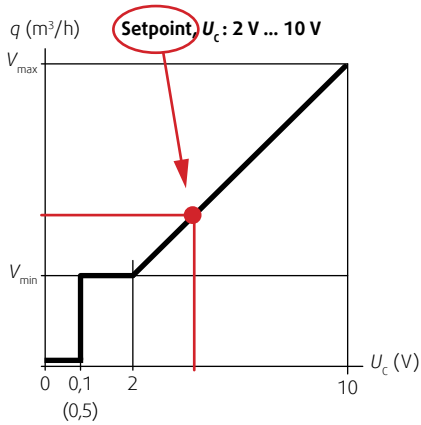
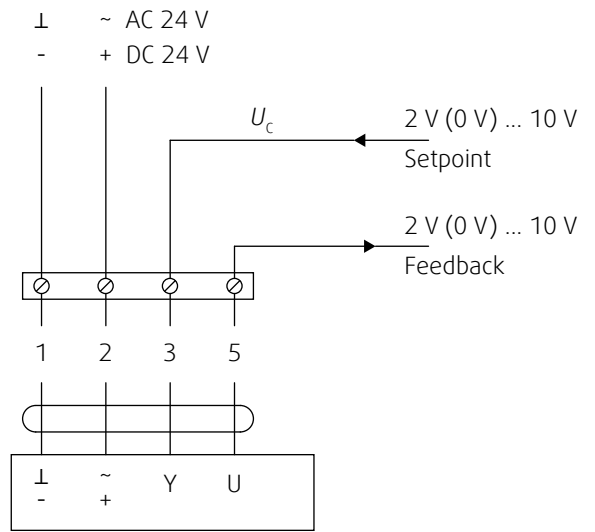




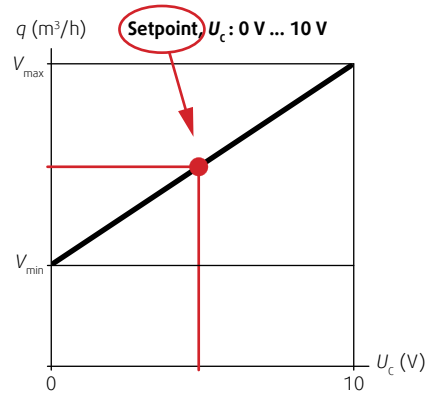
OPTIMA-LV...

-R

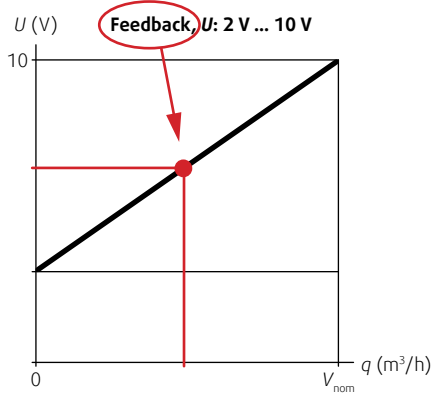
-RI



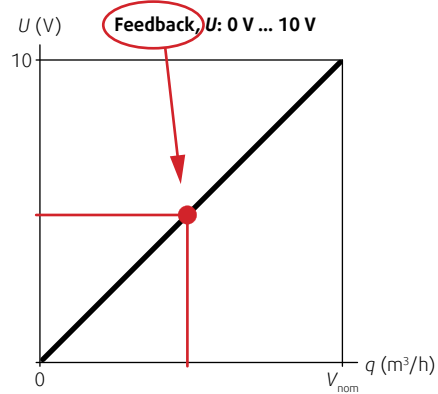
$$U_c = 2 + \frac{q - V_{\min}}{V_{\max} - V_{\min}} \cdot 8$$



$$U_c = \frac{q - V_{\min}}{V_{\max} - V_{\min}} \cdot 10$$



$$q = \frac{U - 2}{8} \cdot V_{\text{nom}}$$



$$q = \frac{U}{10} \cdot V_{\text{nom}}$$

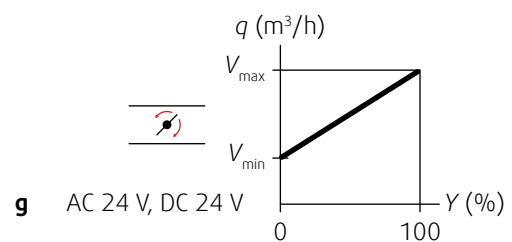
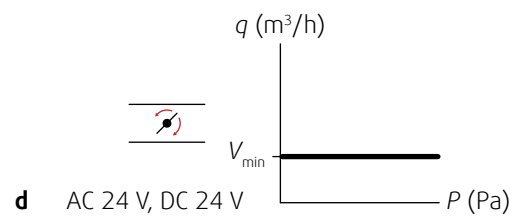
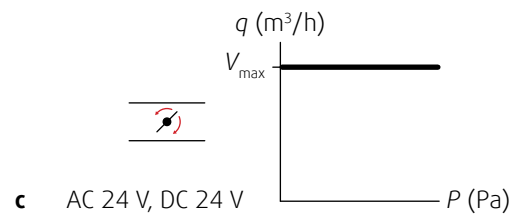
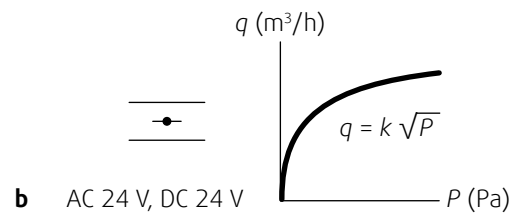
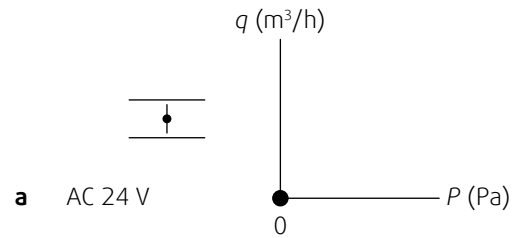
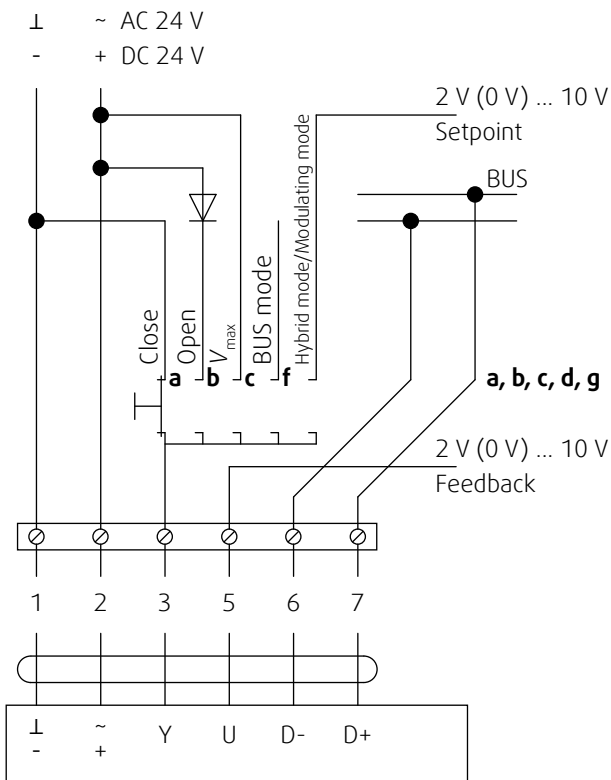
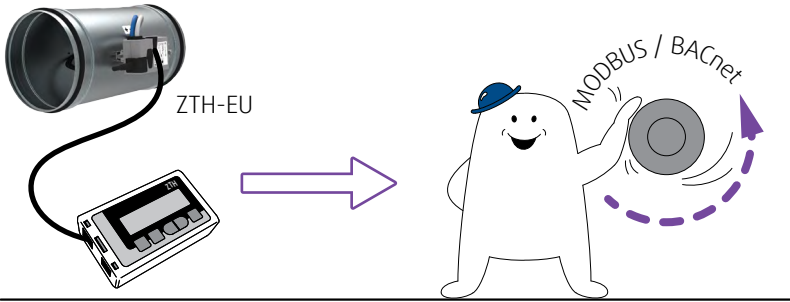


OPTIMA-LV...

-R-MOD


-RI-MOD

(BUS)






 °C -40°C ... +80°C

 % ≤ 95%

---



 °C -10°C ... +50°C

 % ≤ 95%



