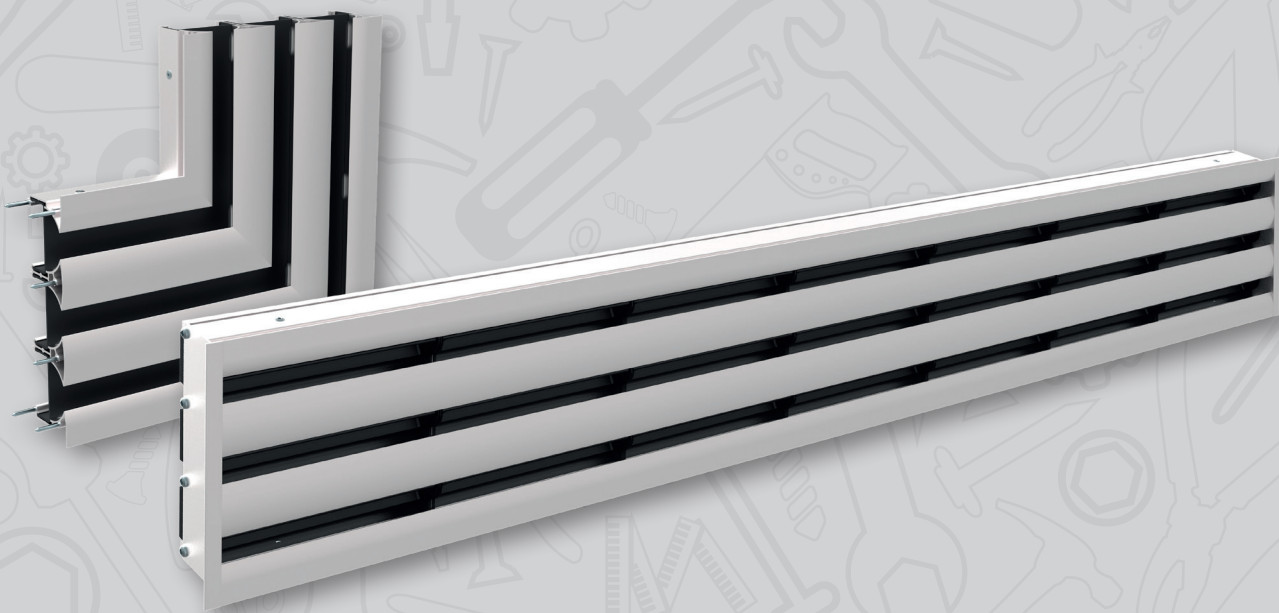
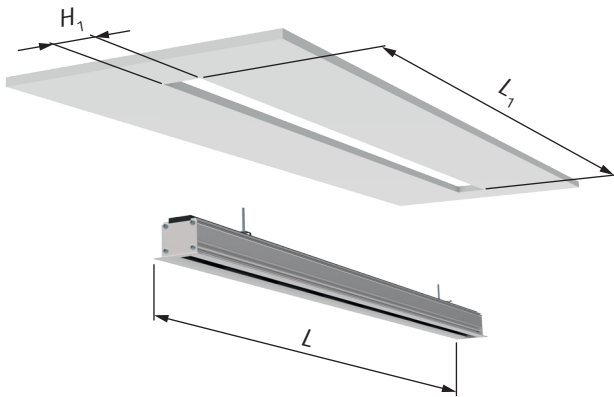


KSV

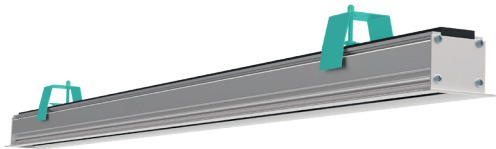
Schlitzauslass

Bedienungsanleitung

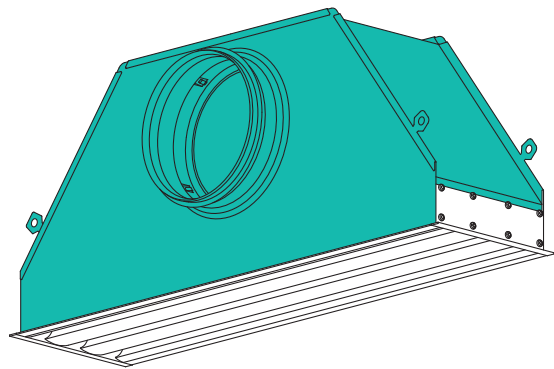




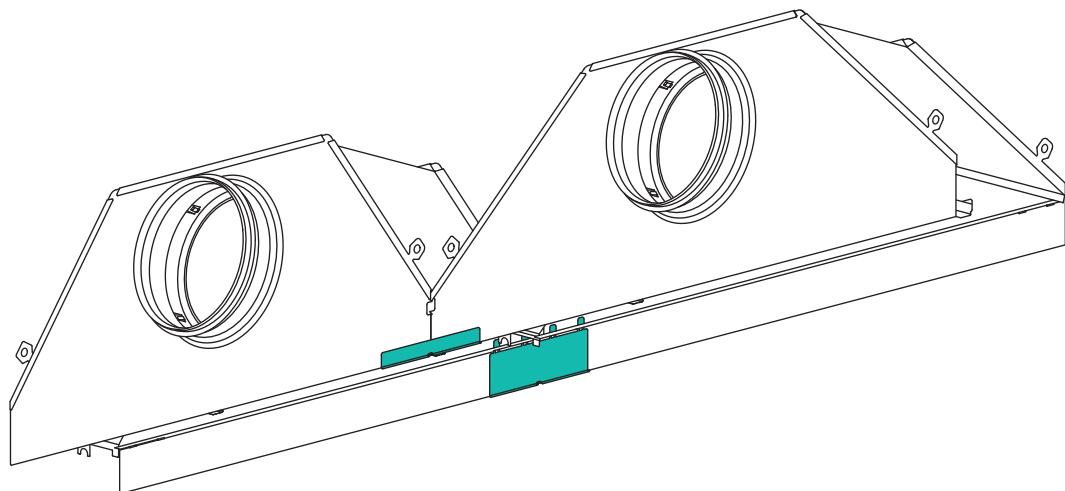
L (mm)	$L_1 \times H_1$ (mm)			
	KSV1	KSV2	KSV3	KSV4
600	605 × 58	605 × 109	605 × 160	605 × 211
750	755 × 58	755 × 109	755 × 160	755 × 211
900	905 × 58	905 × 109	905 × 160	905 × 211
1050	1055 × 58	1055 × 109	1055 × 160	1055 × 211
1200	1205 × 58	1205 × 109	1205 × 160	1205 × 211
1350	1355 × 58	1355 × 109	1355 × 160	1355 × 211
1500	1505 × 58	1505 × 109	1505 × 160	1505 × 211
1650	1655 × 58	1655 × 109	1655 × 160	1655 × 211
1800	1805 × 58	1805 × 109	1805 × 160	1805 × 211
1950	1955 × 58	1955 × 109	1955 × 160	1955 × 211



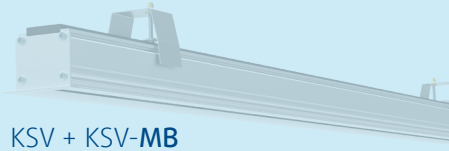
KSV + KSV-MB



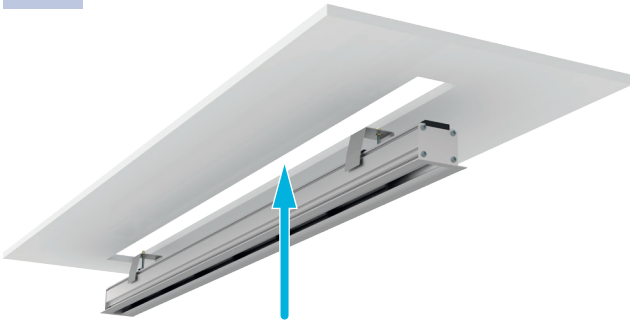
KSV + PB-KSV



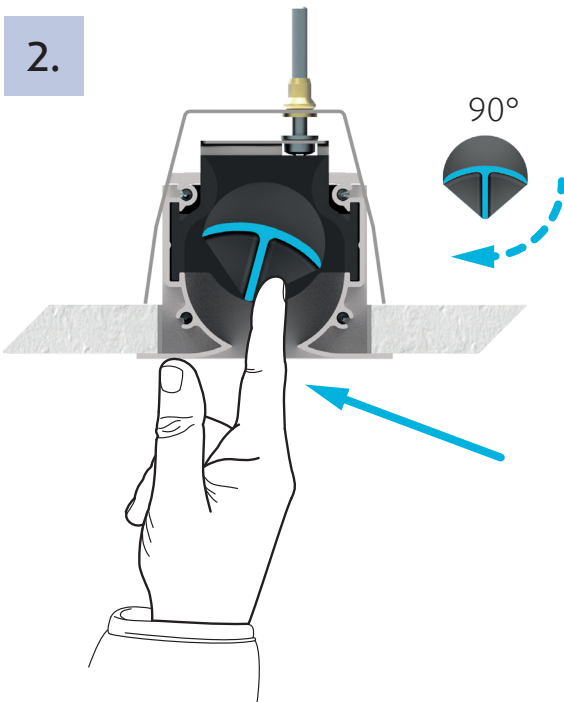
PB-KSV + PB-KSV + CP-KSV



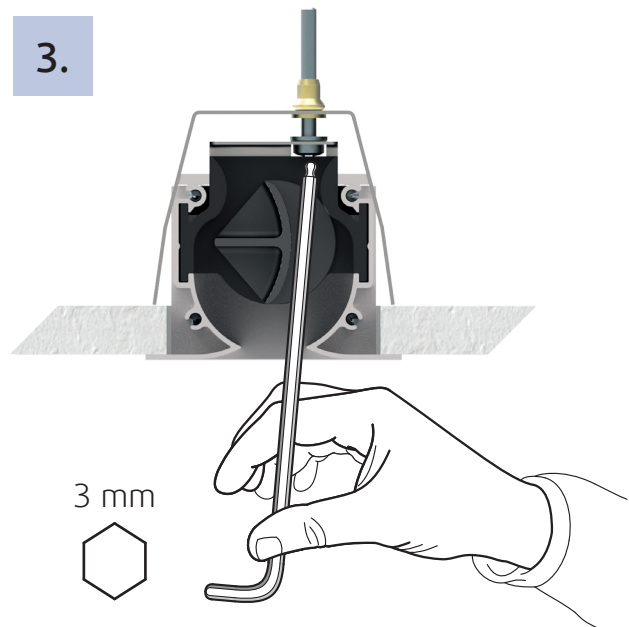
1.



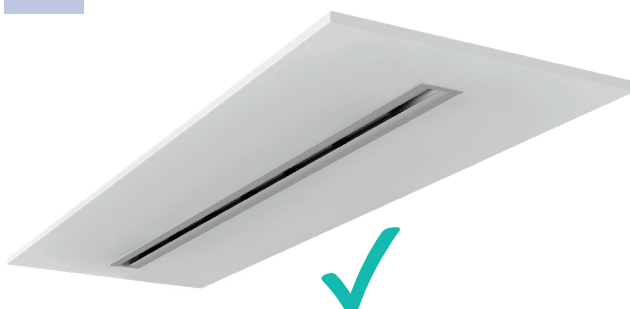
2.

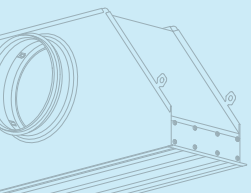


3.



4.

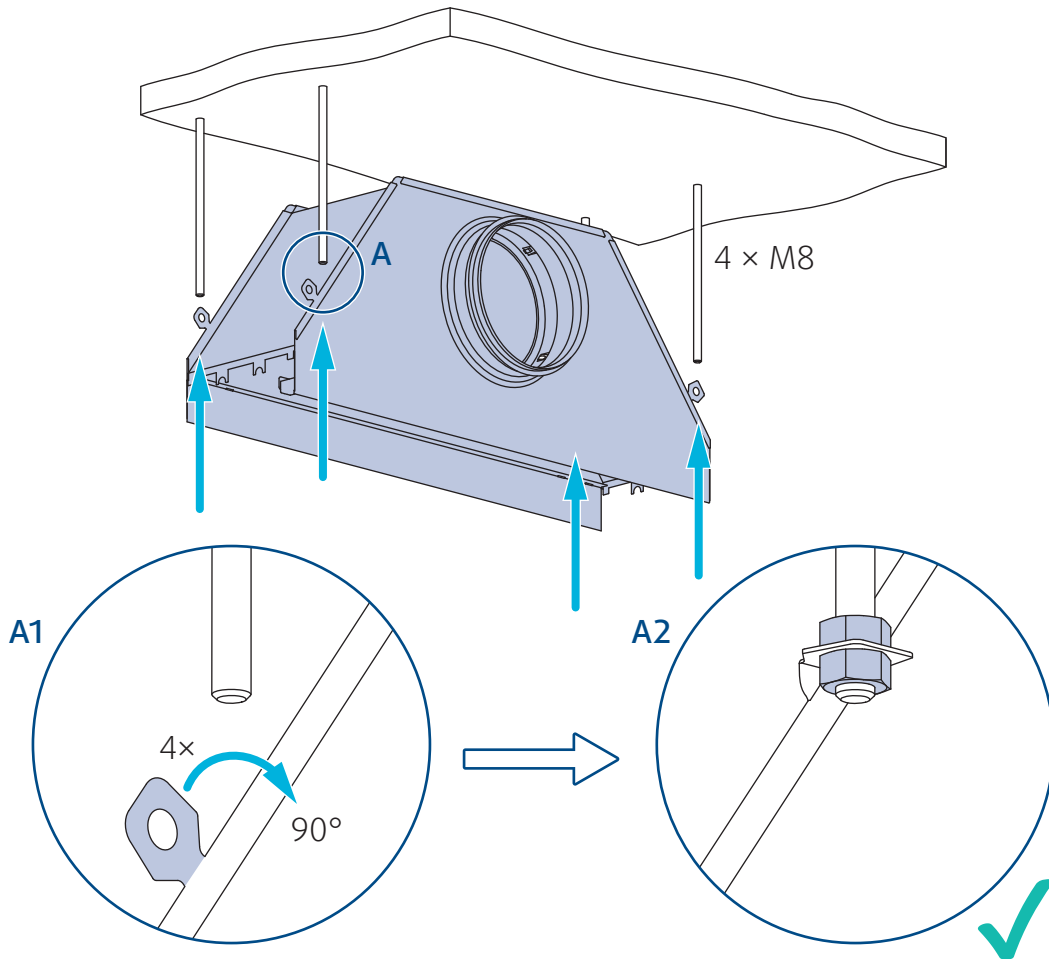




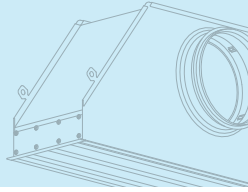
KSV + PB-KSV



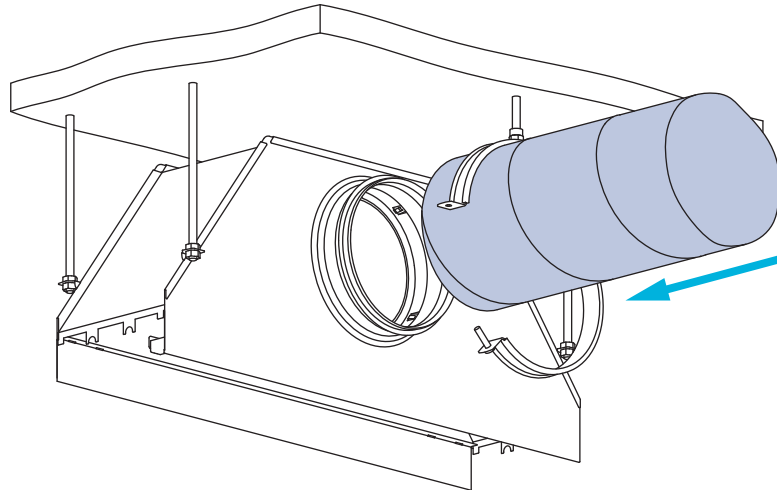
1.



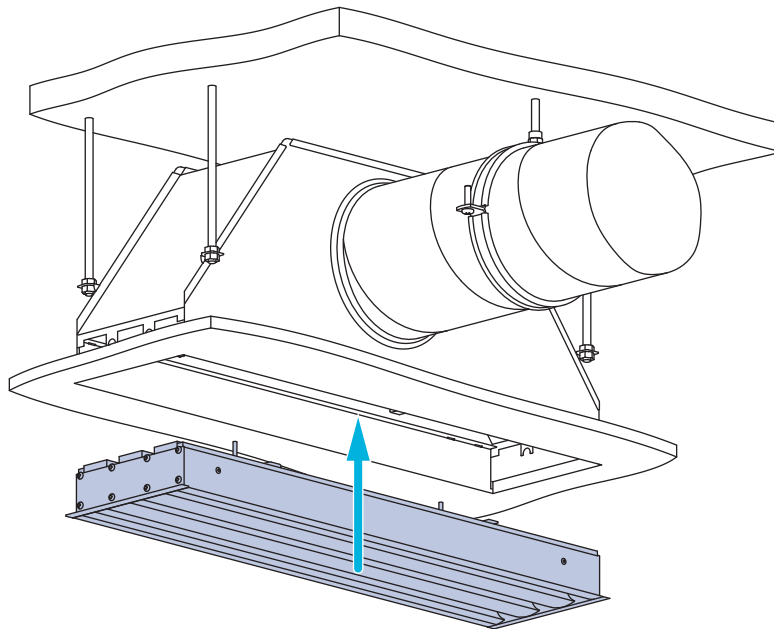
KSV + PB-KSV

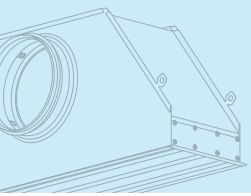


2.



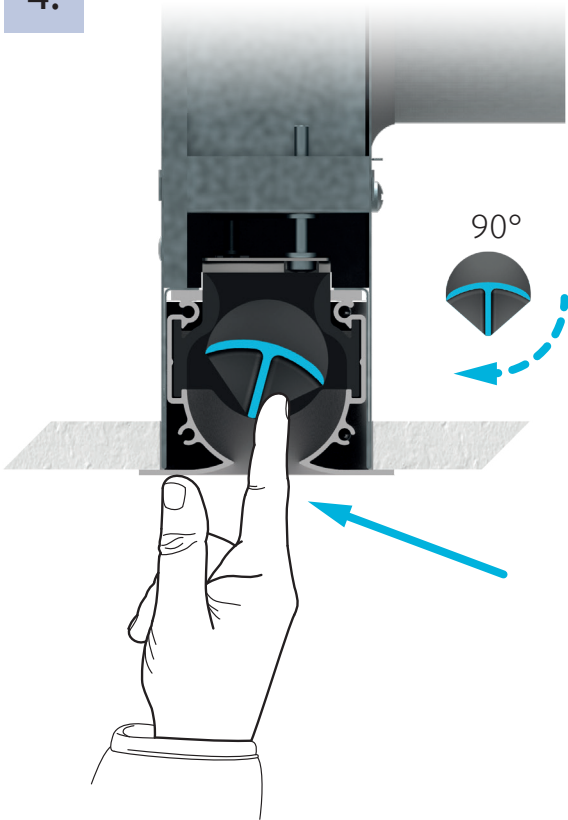
3.



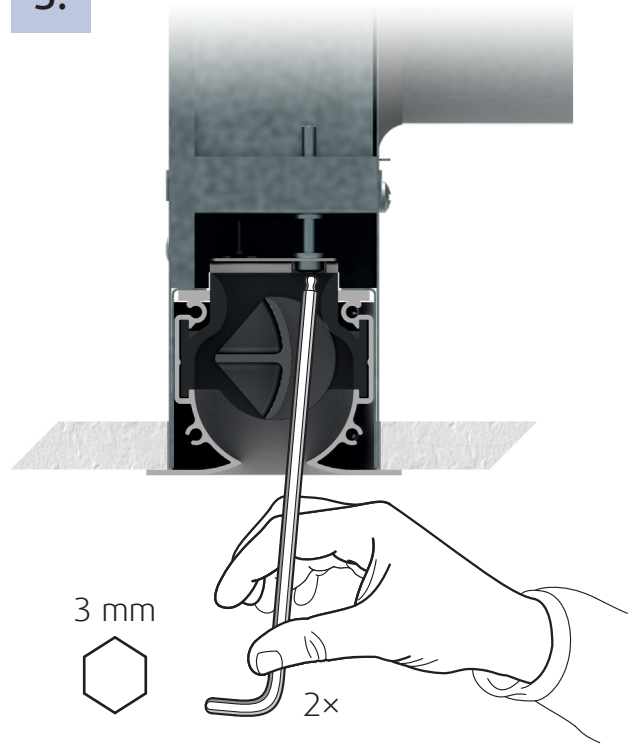


KSV + PB-KSV

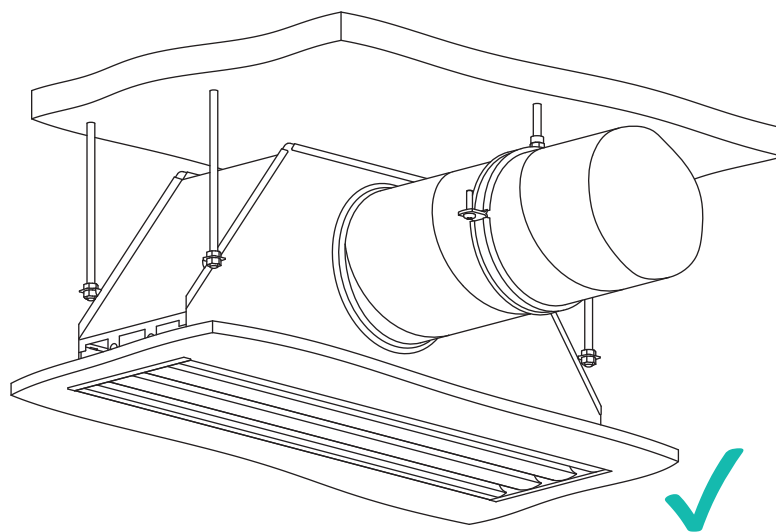
4.

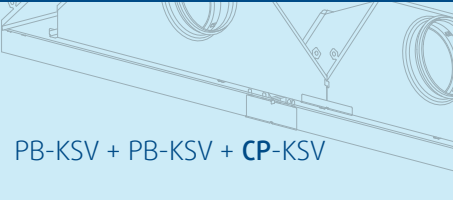


5.

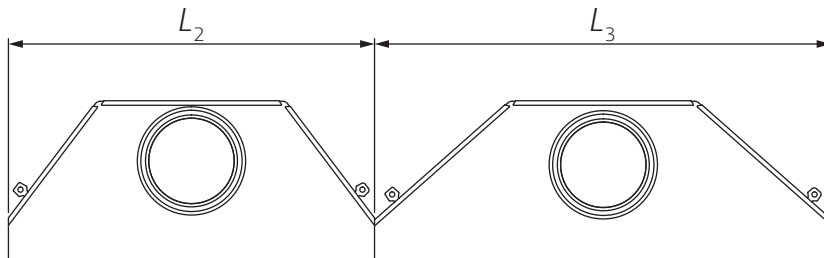


6.





PB-KSV + PB-KSV + CP-KSV



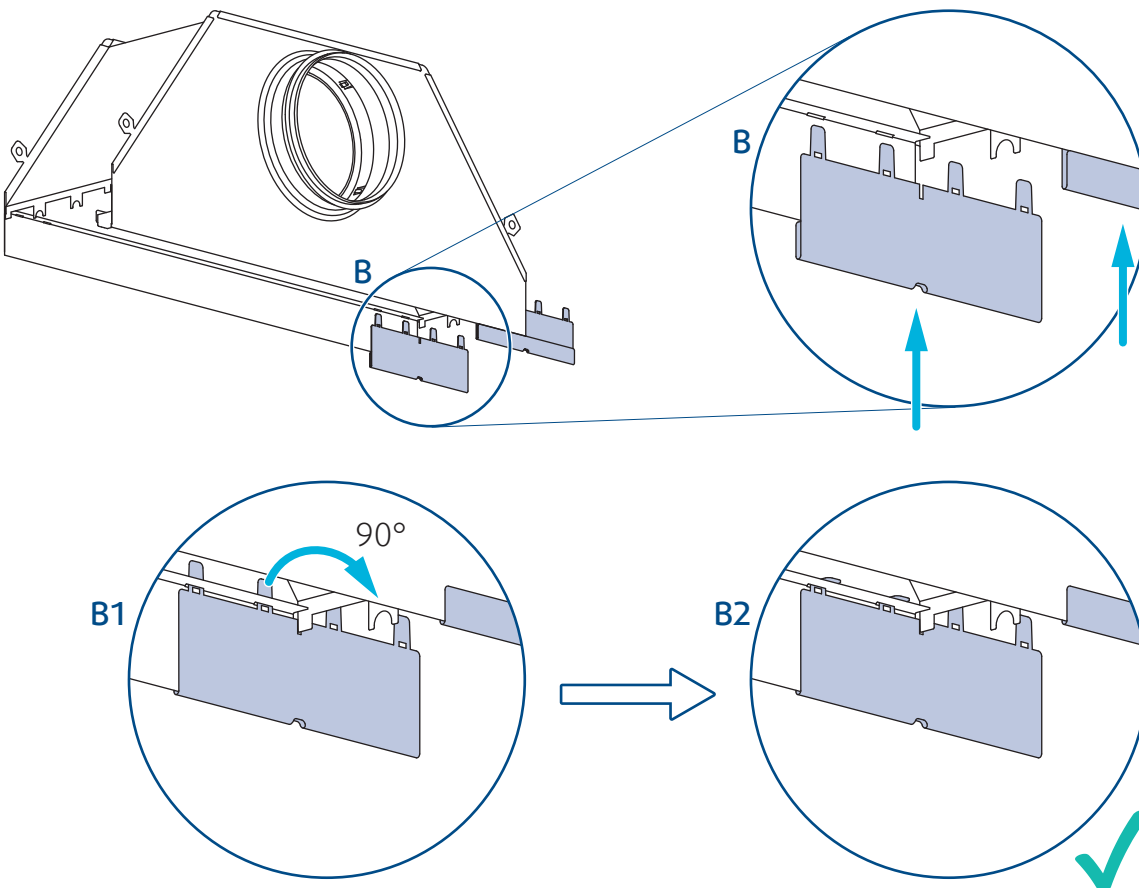
$L_2 \leq L_3$ ✓

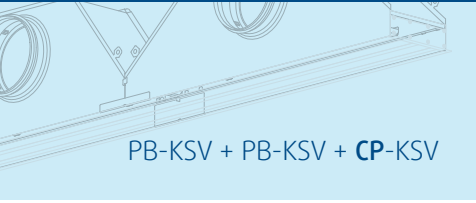
$L_2 > L_3$ ✗

- KSV...1350 + PB-KSV...-600 + PB-KSV...-750
- KSV...1500 + PB-KSV...-750 + PB-KSV...-750
- KSV...1650 + PB-KSV...-750 + PB-KSV...-900
- KSV...1800 + PB-KSV...-900 + PB-KSV...-900
- KSV...1950 + PB-KSV...-900 + PB-KSV...-1050

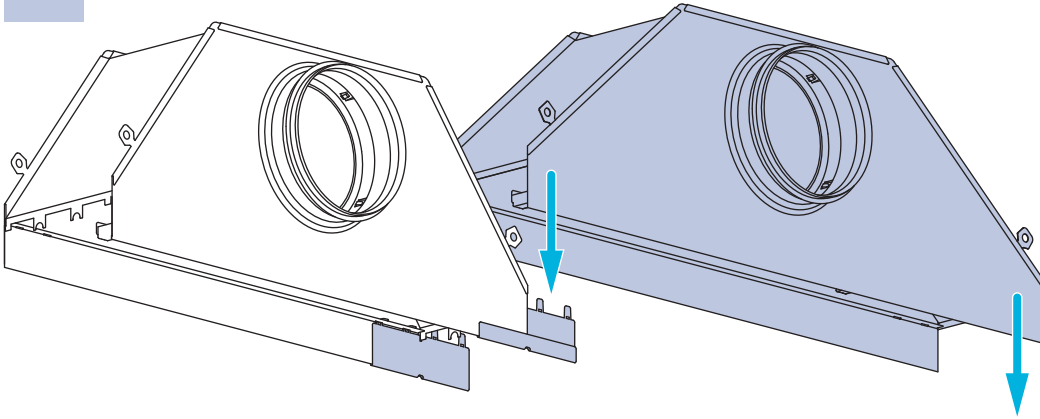


1.

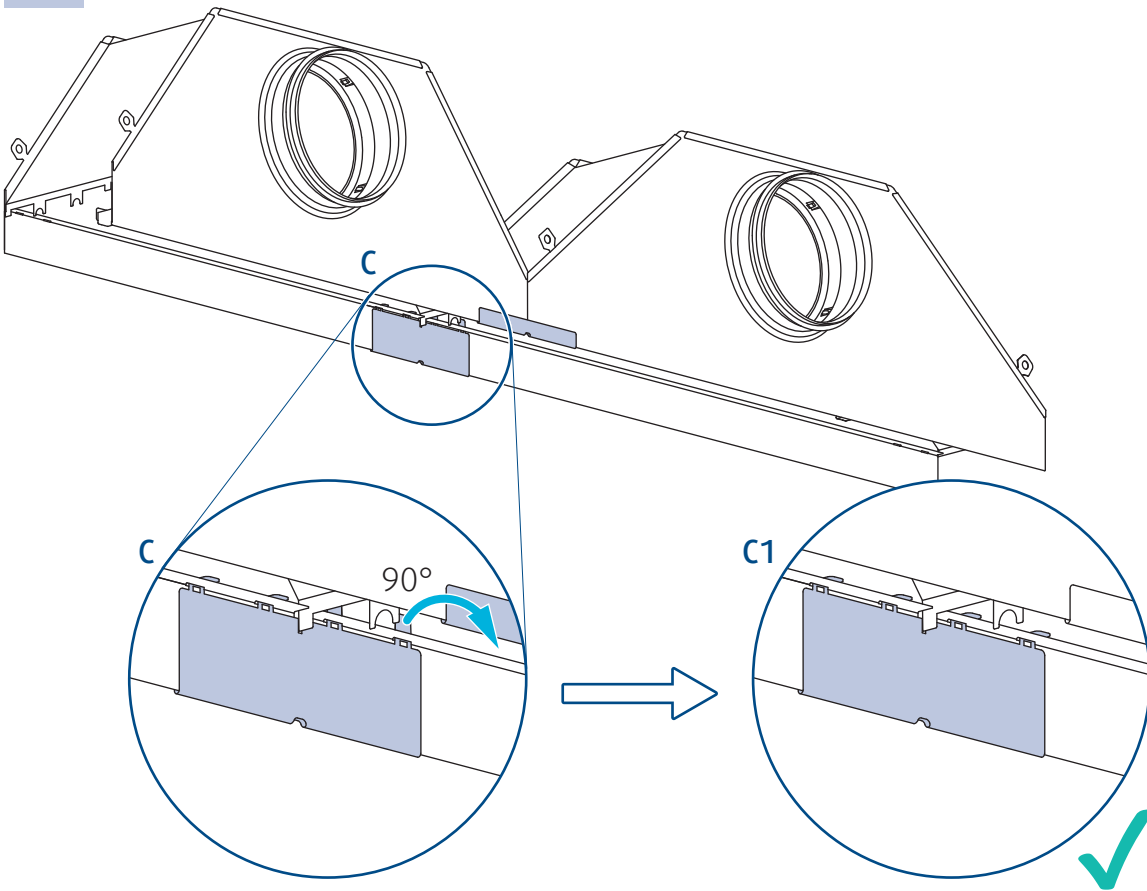


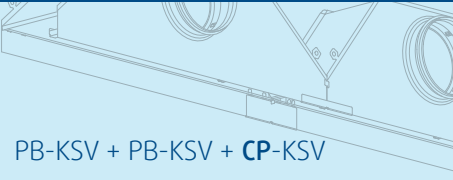


2.

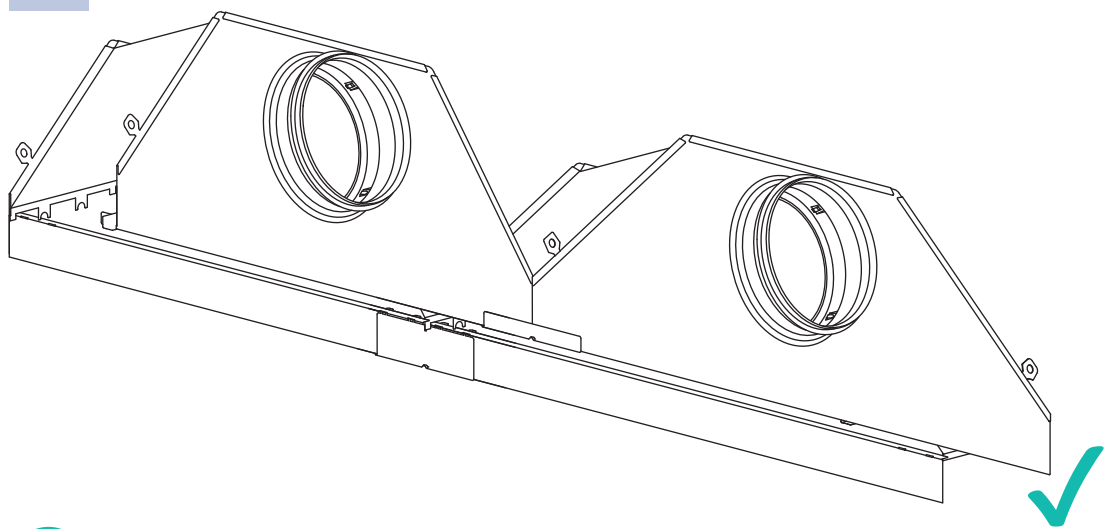


3.





4.



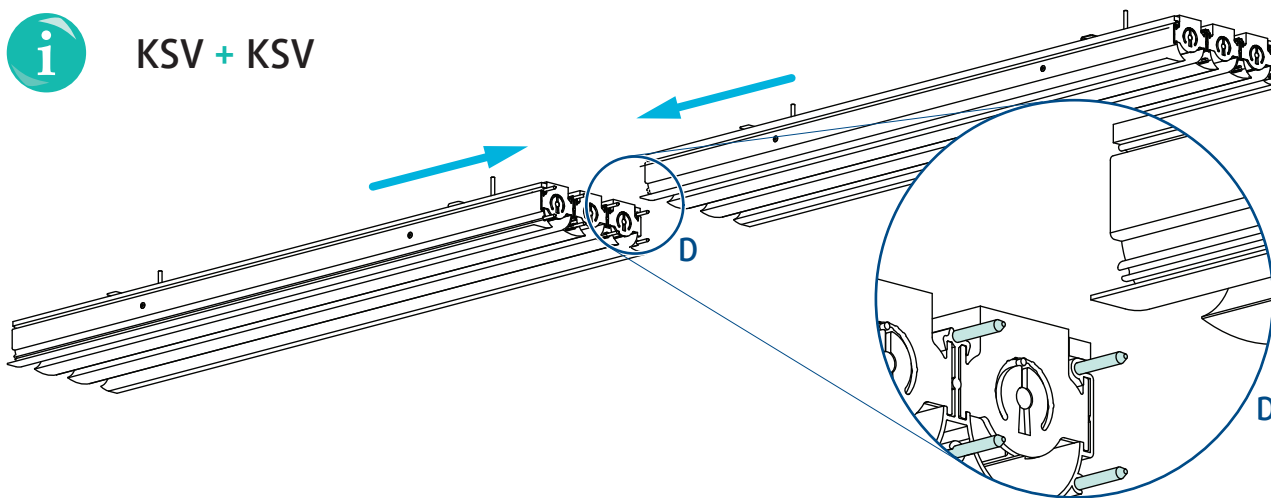
i

KSV + KSV



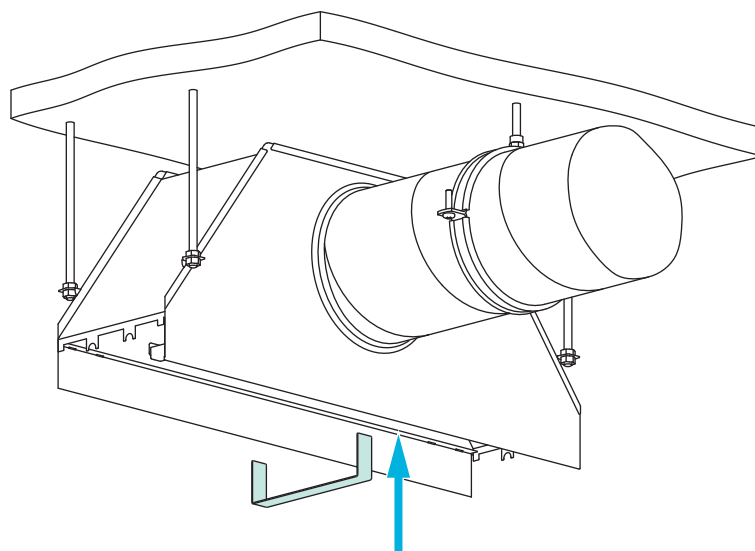


KSV + KSV

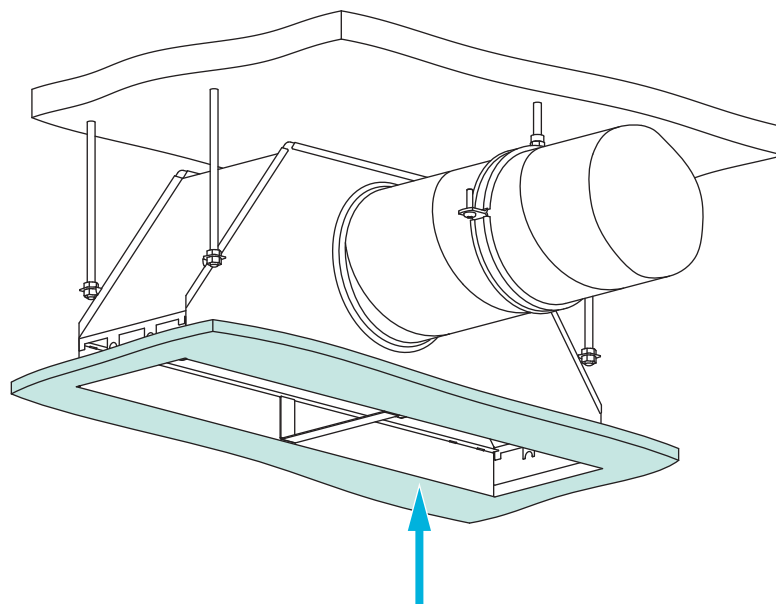


KSV + S-KSV

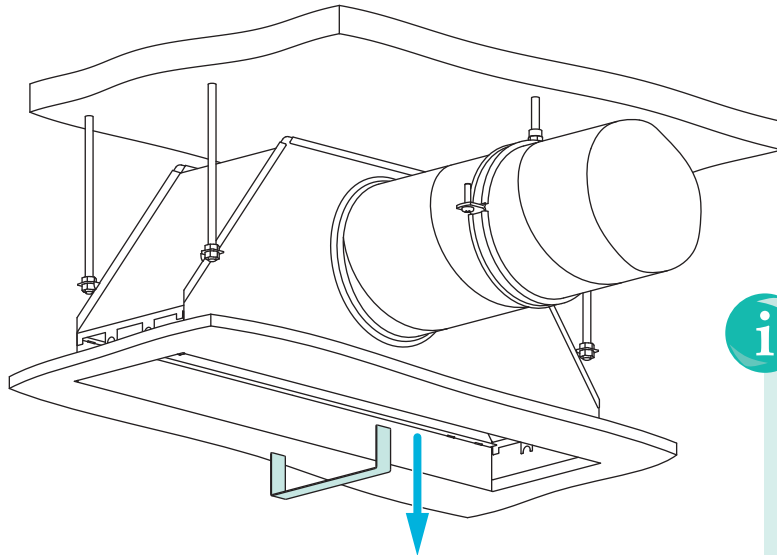
1.



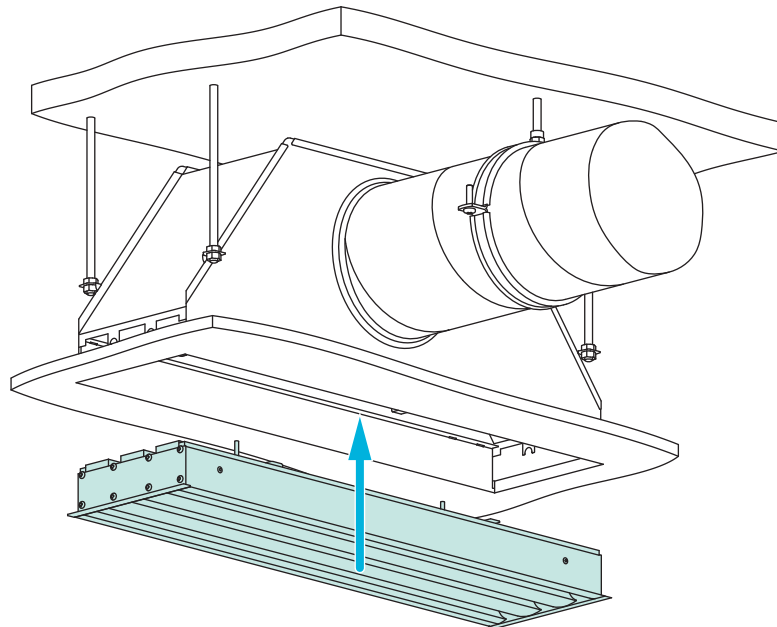
2.



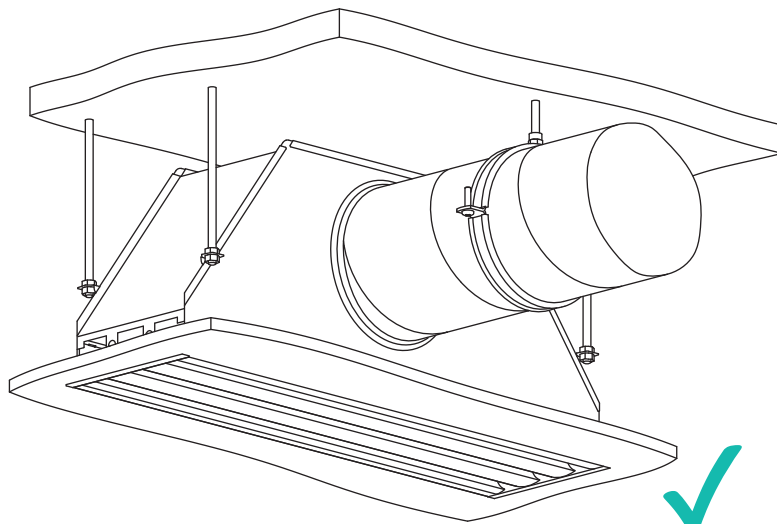
3.

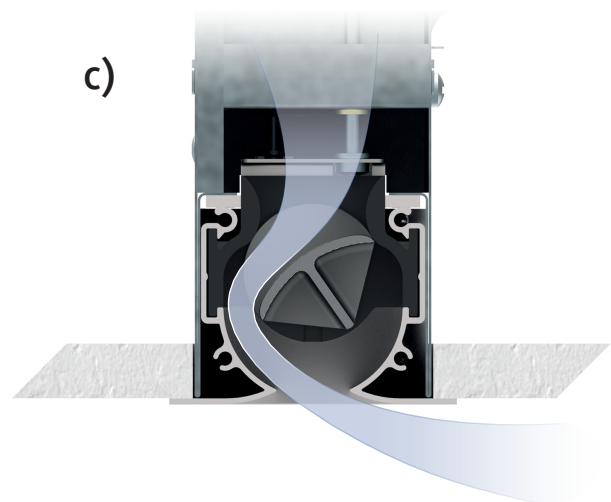
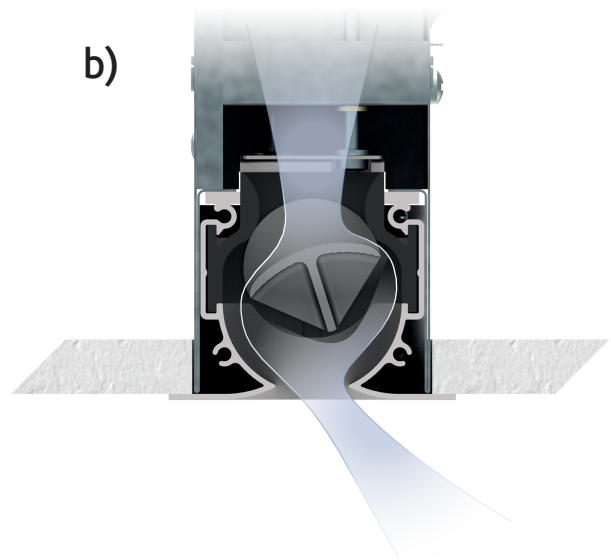
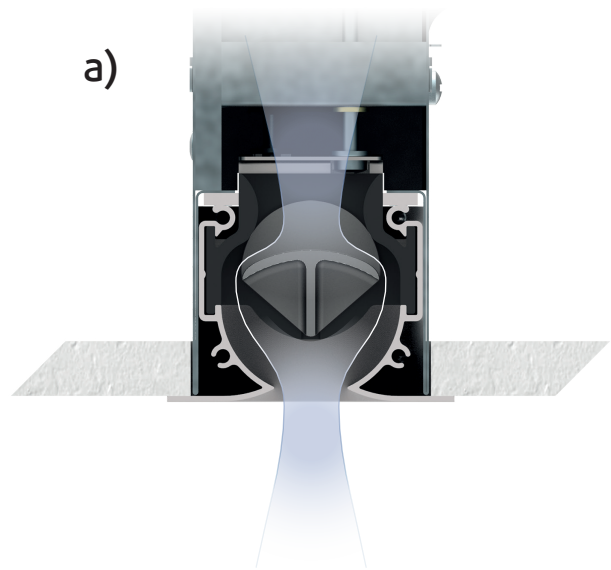
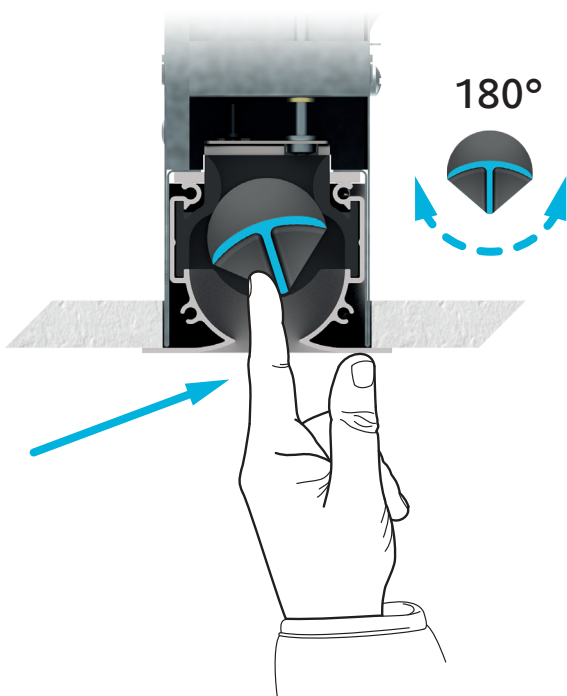


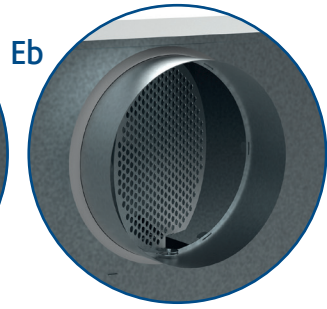
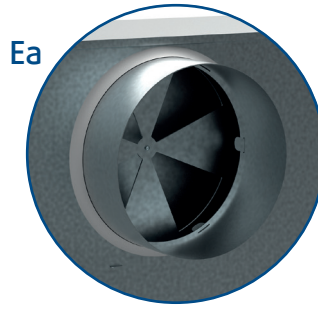
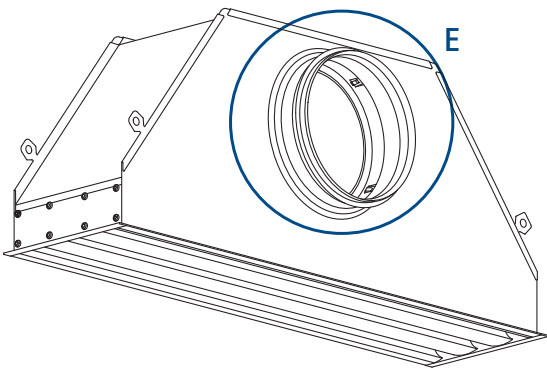
4.



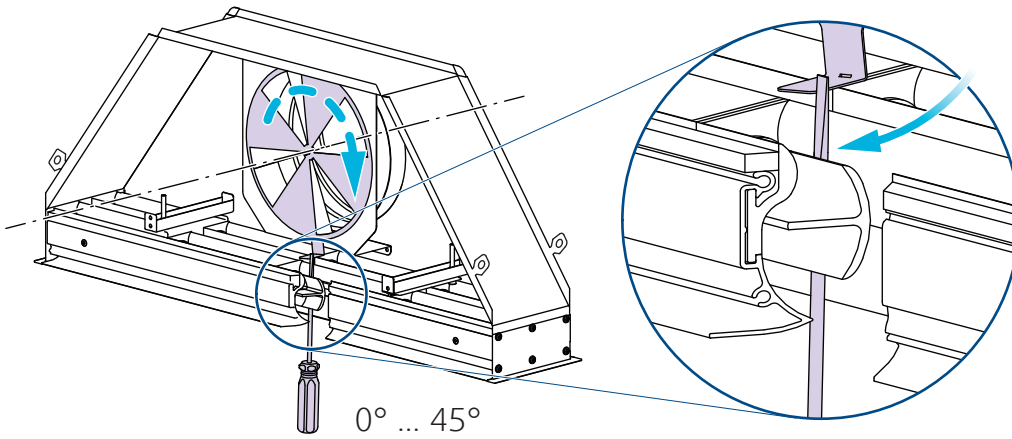
5.



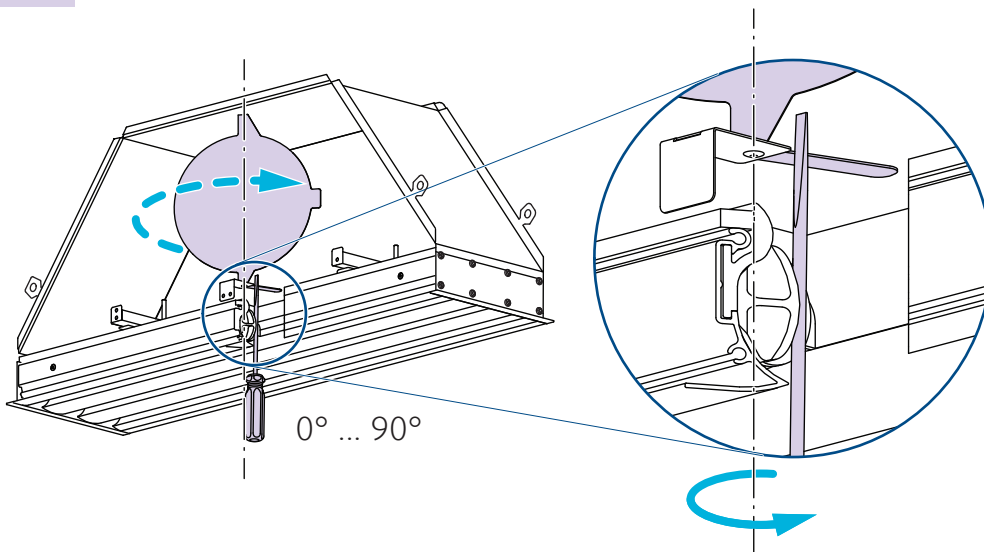


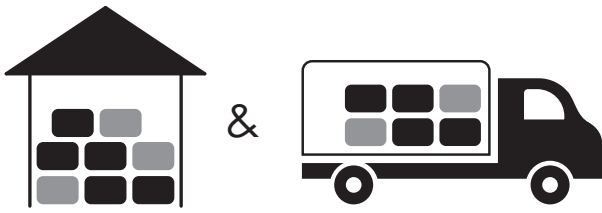


Ea PB-KSV-1, PB-KSV-2




Eb PB-KSV-3, PB-KSV-4






 °C -40°C ... +50°C

 % ≤ 95%



 °C -20°C ... +70°C

 % ≤ 95%



design.systemair.com

