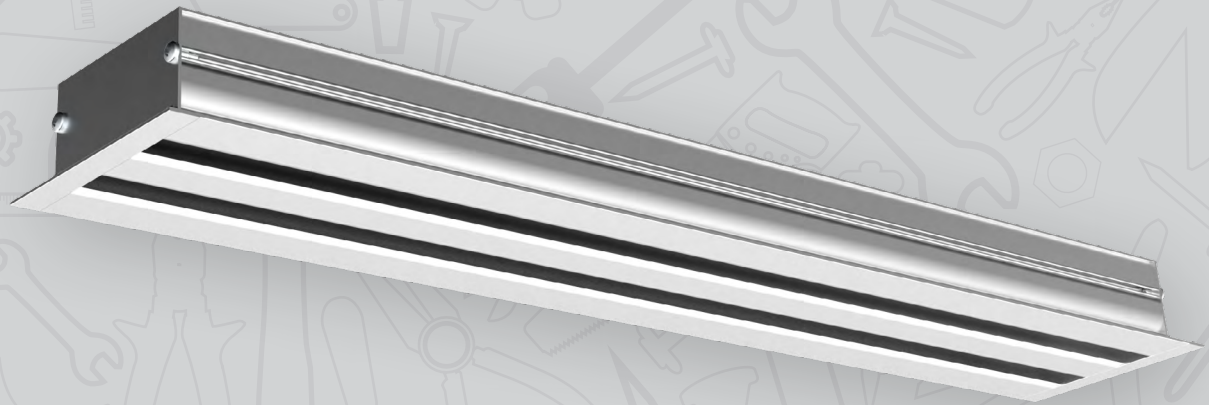


HELLA

Linear Slot Diffuser

User Manual





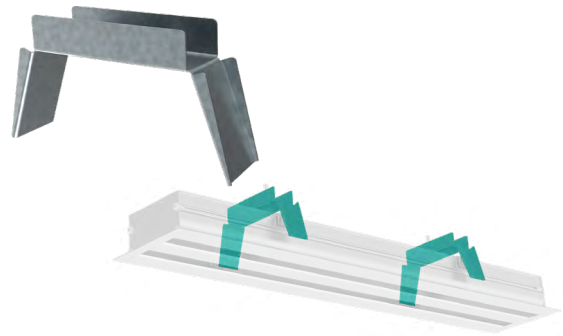
HELLA



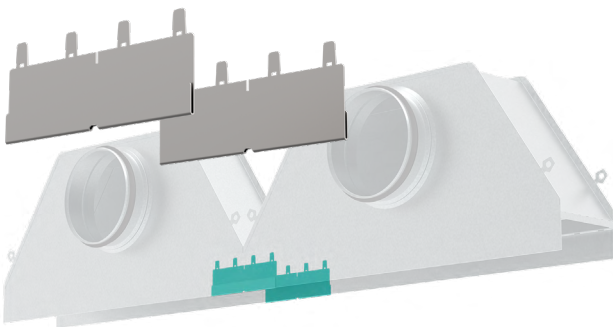
HELLA-CE



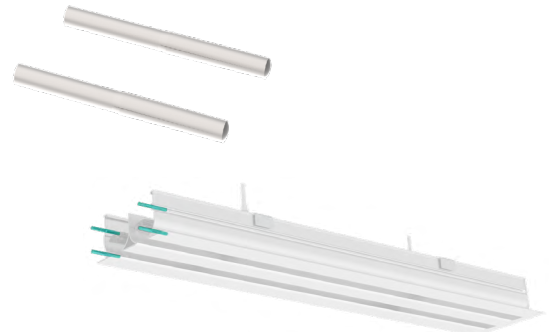
PB-HELLA



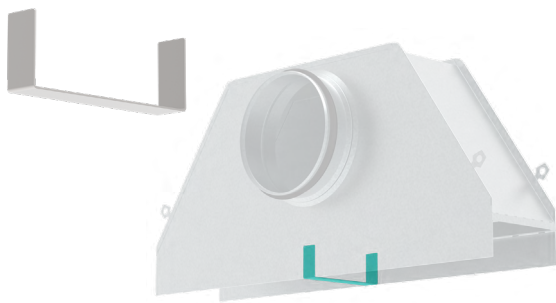
MB-HELLA



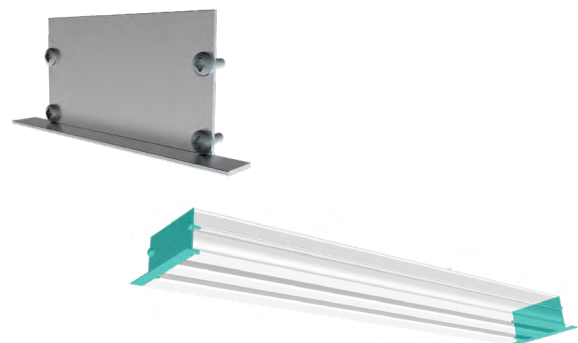
CP-PB-HELLA



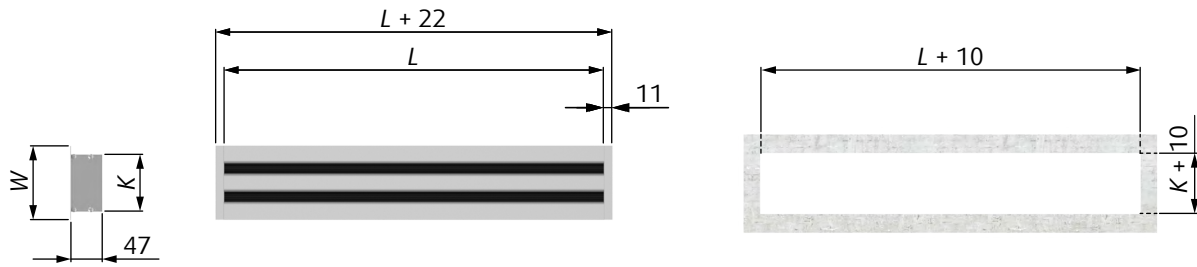
CP-HELLA



S-HELLA



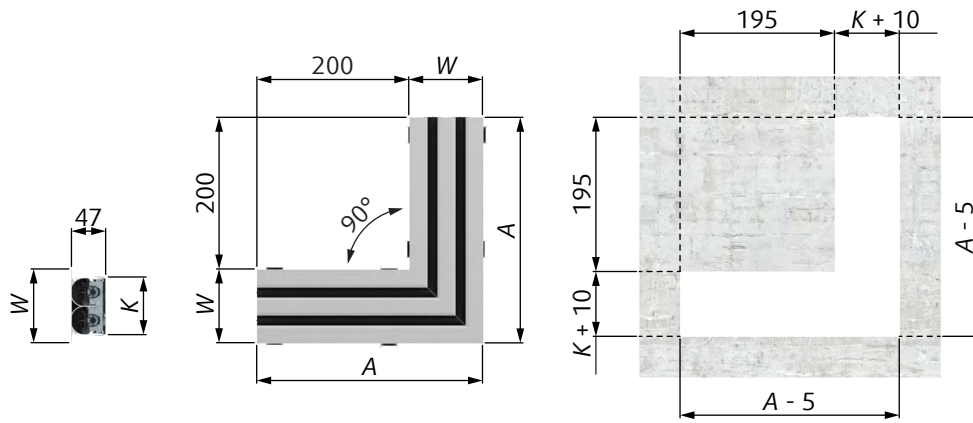
EC-HELLA



L	HELLA-1		HELLA-2		HELLA-3		HELLA-4	
	W	K	W	K	W	K	W	K
(mm)								
500	60	41	97	77	134	114	171	151
600								
700								
800								
900								
1000								
1100								
1200								
1300								
1400								
1500								



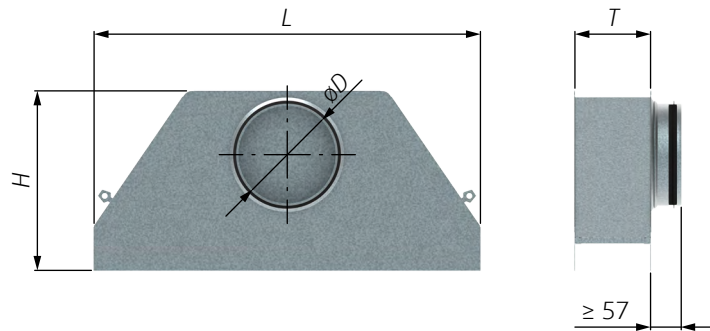
HELLA-CE



HELLA-CE-1			HELLA-CE-2			HELLA-CE-3			HELLA-CE-4		
A	W	K	A	W	K	A	W	K	A	W	K
(mm)											
260	60	41	297	97	77	334	134	114	371	171	151



PB-HELLA



		PB-HELLA-1										
L	(mm)	500	600	700	800	900	1000	1100	1200	1300	1400	1500
H		214										
T		44										
$\varnothing D$		100					125					

		PB-HELLA-2										
L	(mm)	500	600	700	800	900	1000	1100	1200	1300	1400	1500
H		250										
T		81										
$\varnothing D$		125					160					

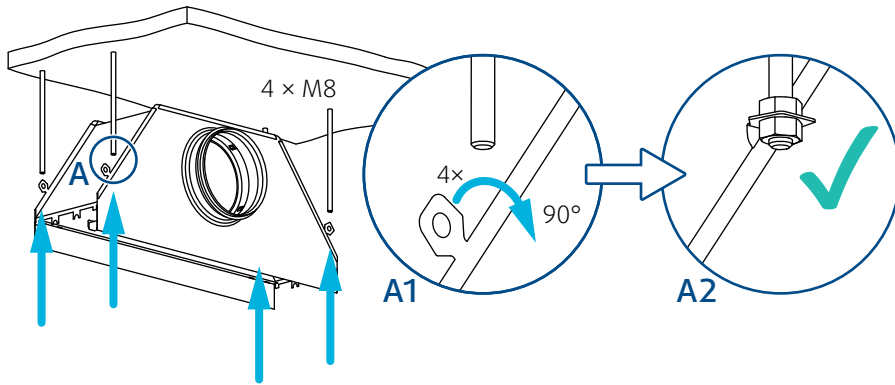
		PB-HELLA-3										
L	(mm)	500	600	700	800	900	1000	1100	1200	1300	1400	1500
H		282										
T		118										
$\varnothing D$		160					200					

		PB-HELLA-4										
L	(mm)	500	600	700	800	900	1000	1100	1200	1300	1400	1500
H		337										
T		155										
$\varnothing D$		200					250					



HELLA + PB-HELLA

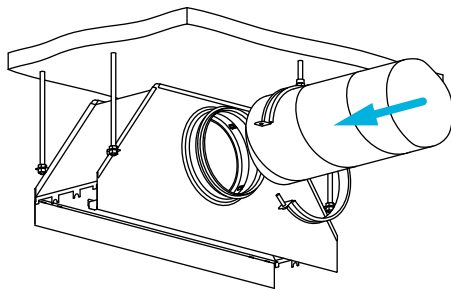
1.



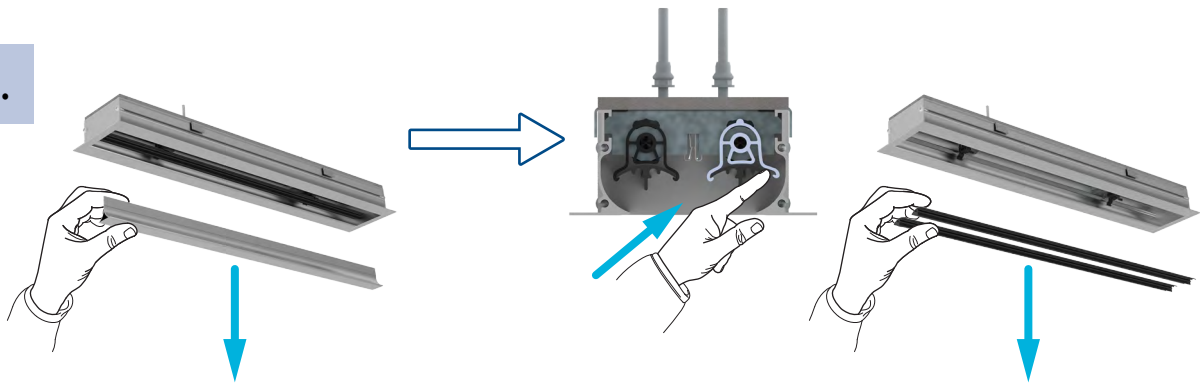
S-HELLA



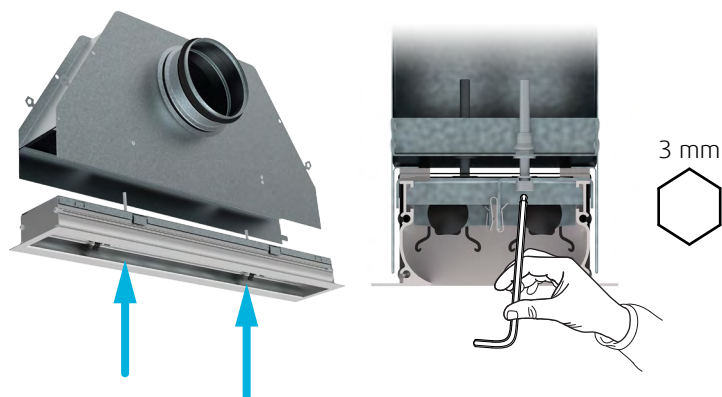
2.



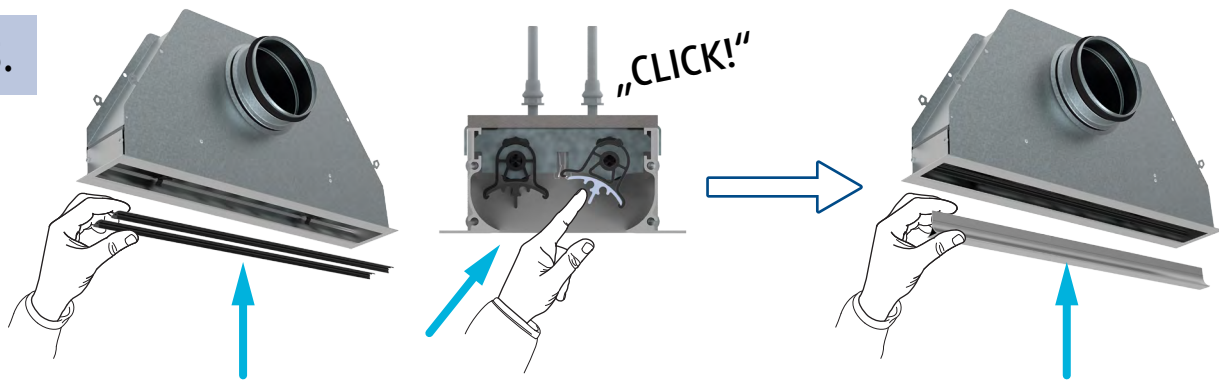
3.



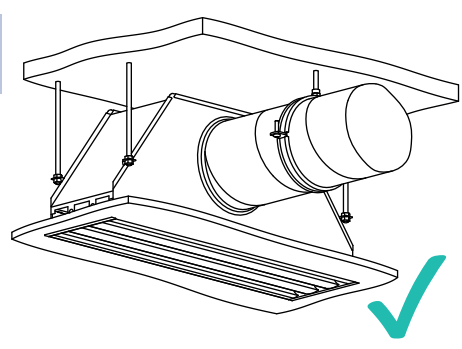
4.



5.



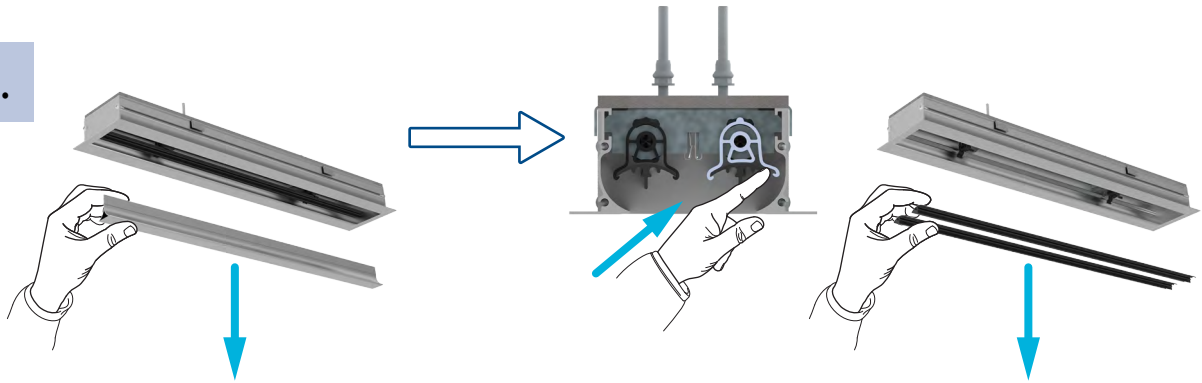
6.



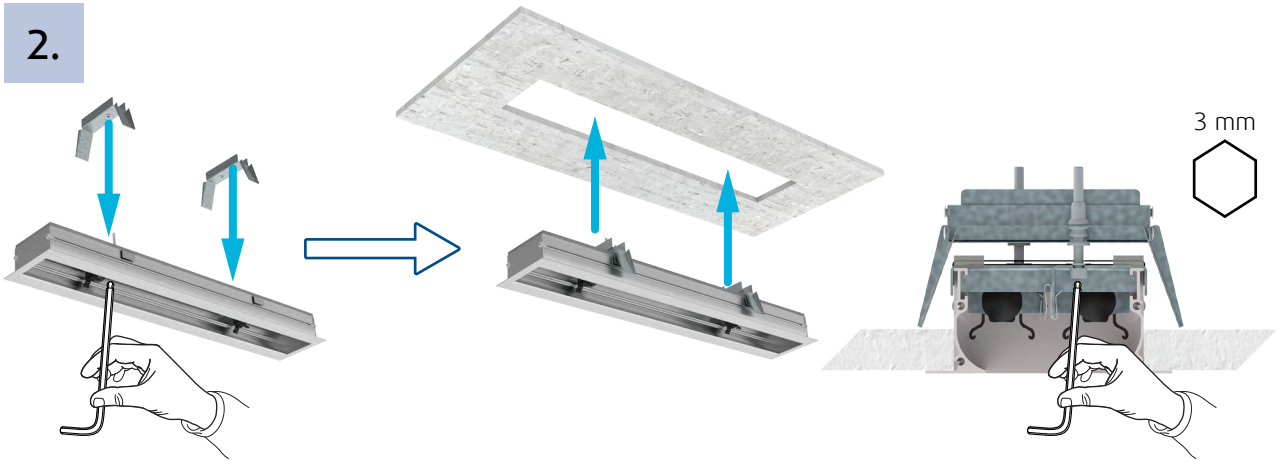


HELLA + MB-HELLA

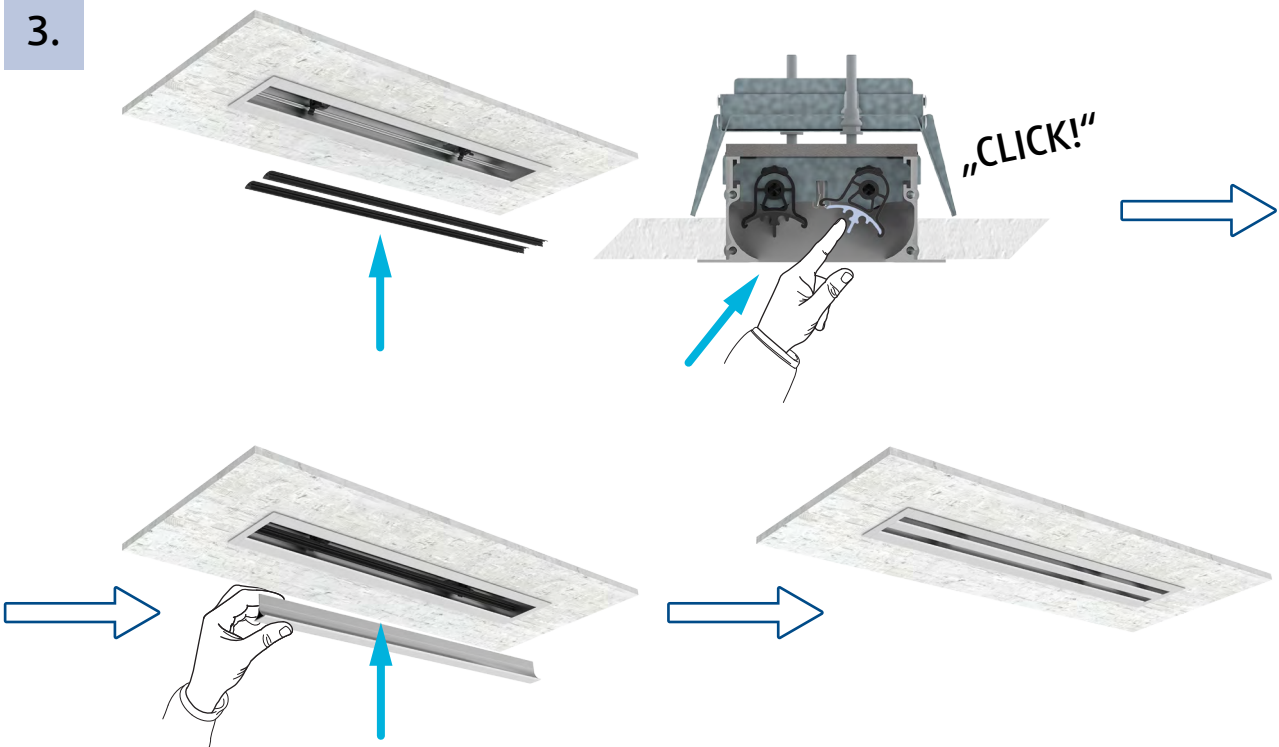
1.

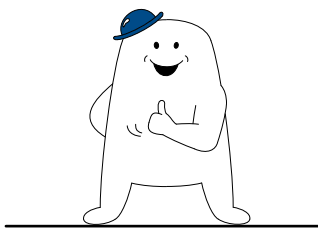
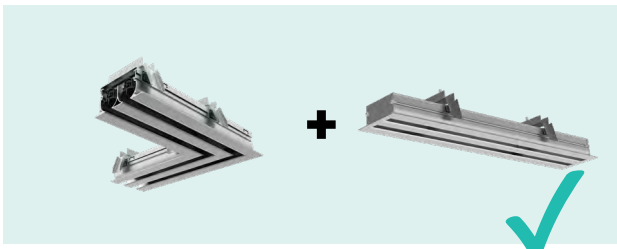
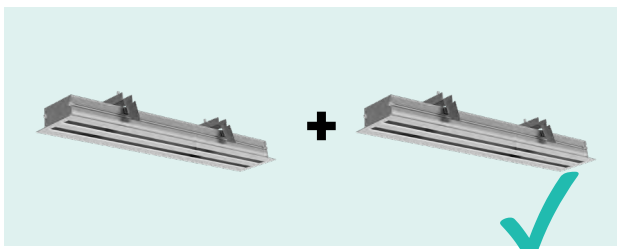
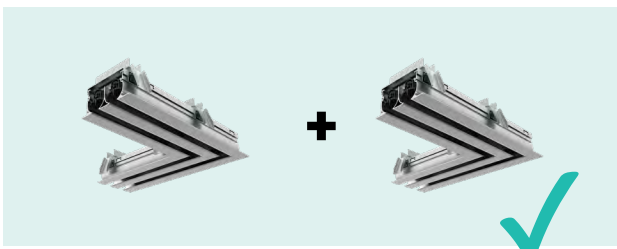
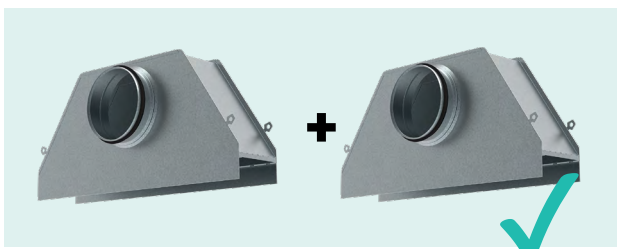
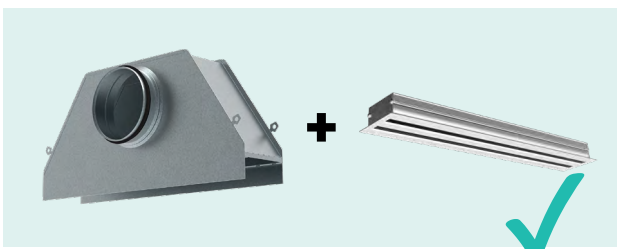
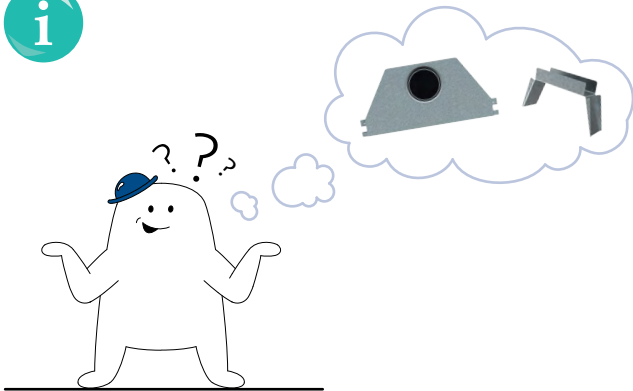


2.



3.

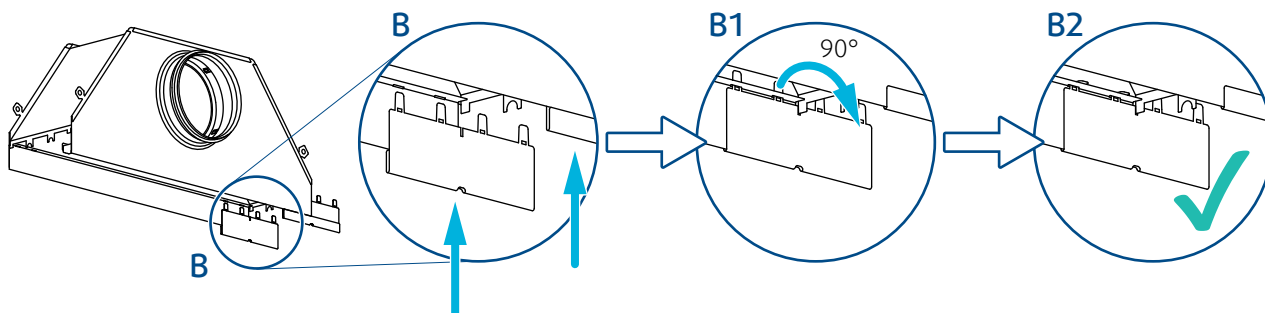




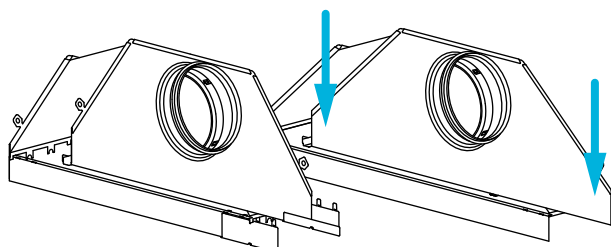


PB-HELLA + PB-HELLA + CP-PB-HELLA

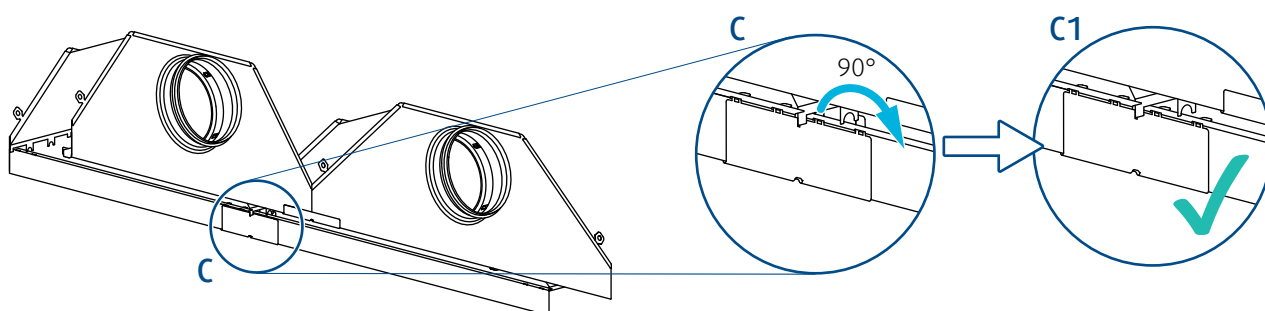
1.



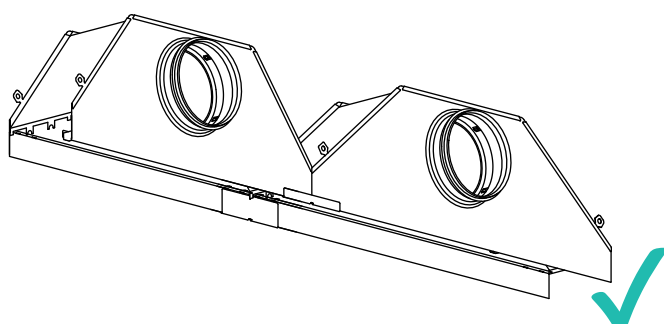
2.



3.



4.



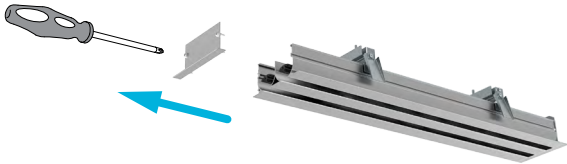
S-HELLA



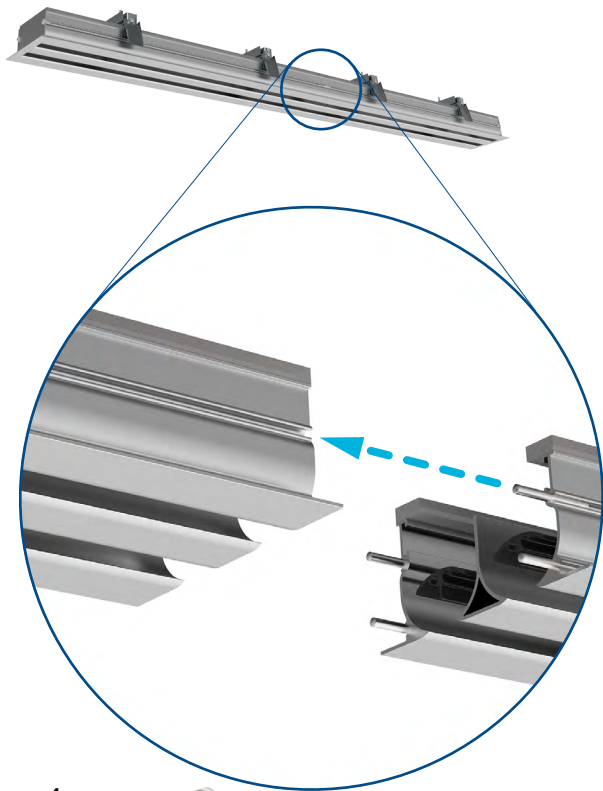


HELLA + CP-HELLA + HELLA

1.



2.

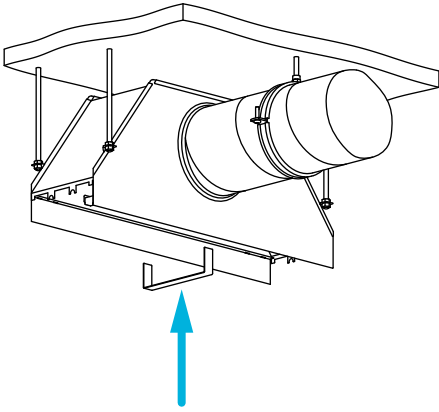


4 x 

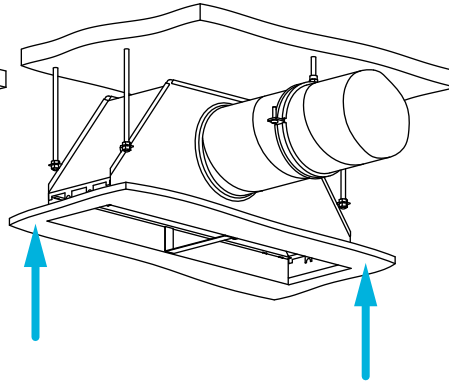


HELLA + S-HELLA

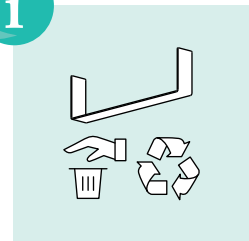
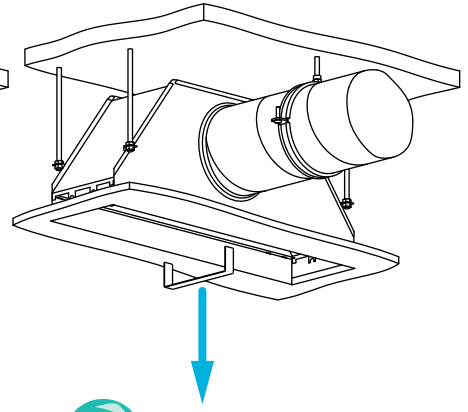
1.



2.

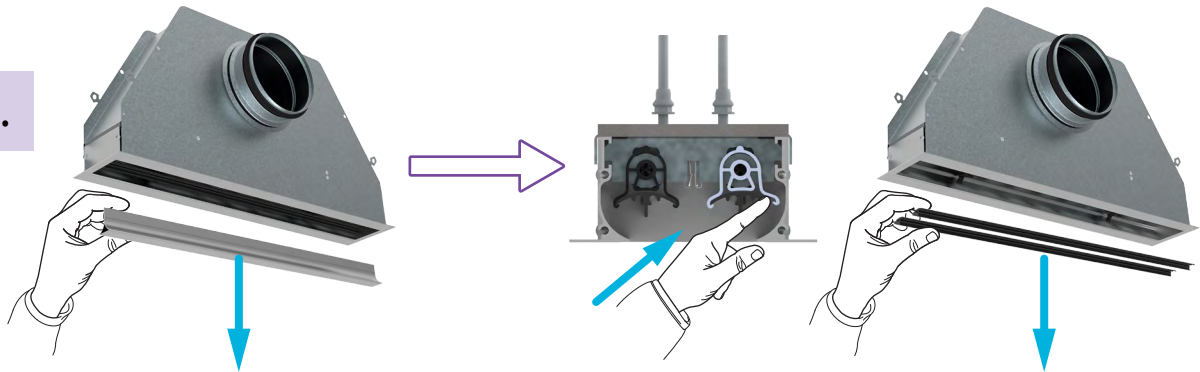


3.

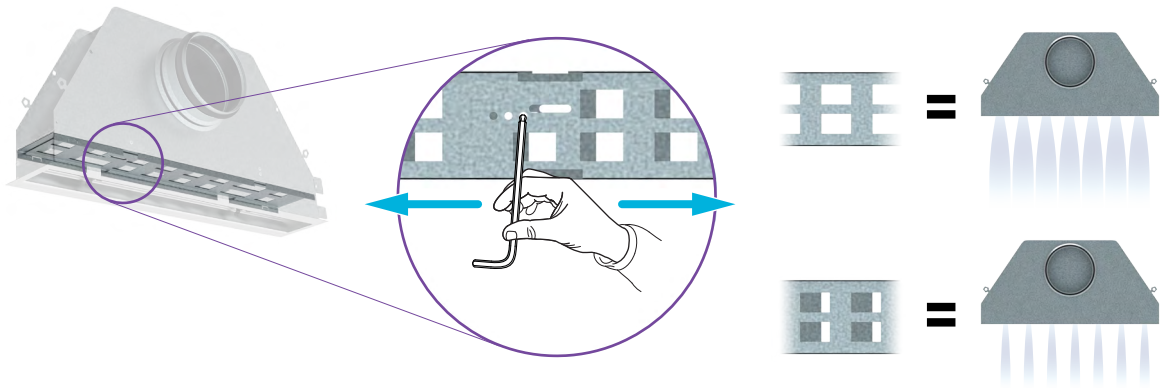




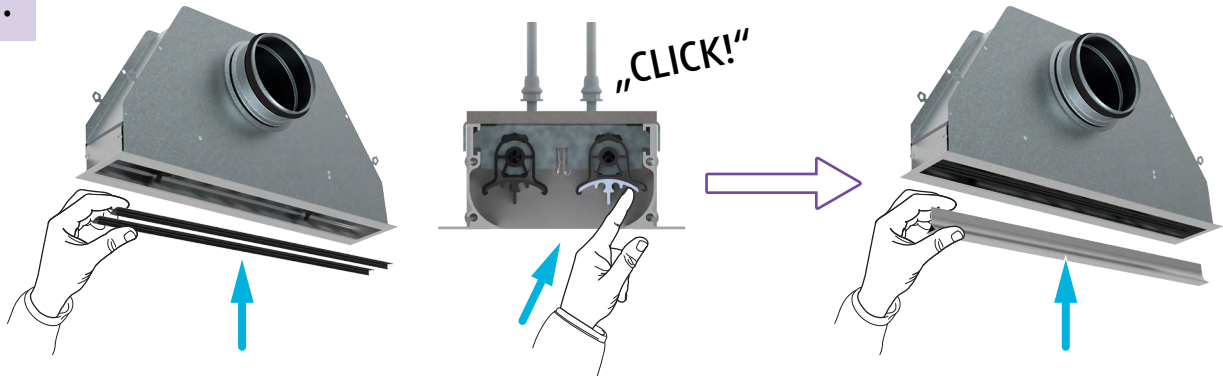
1.

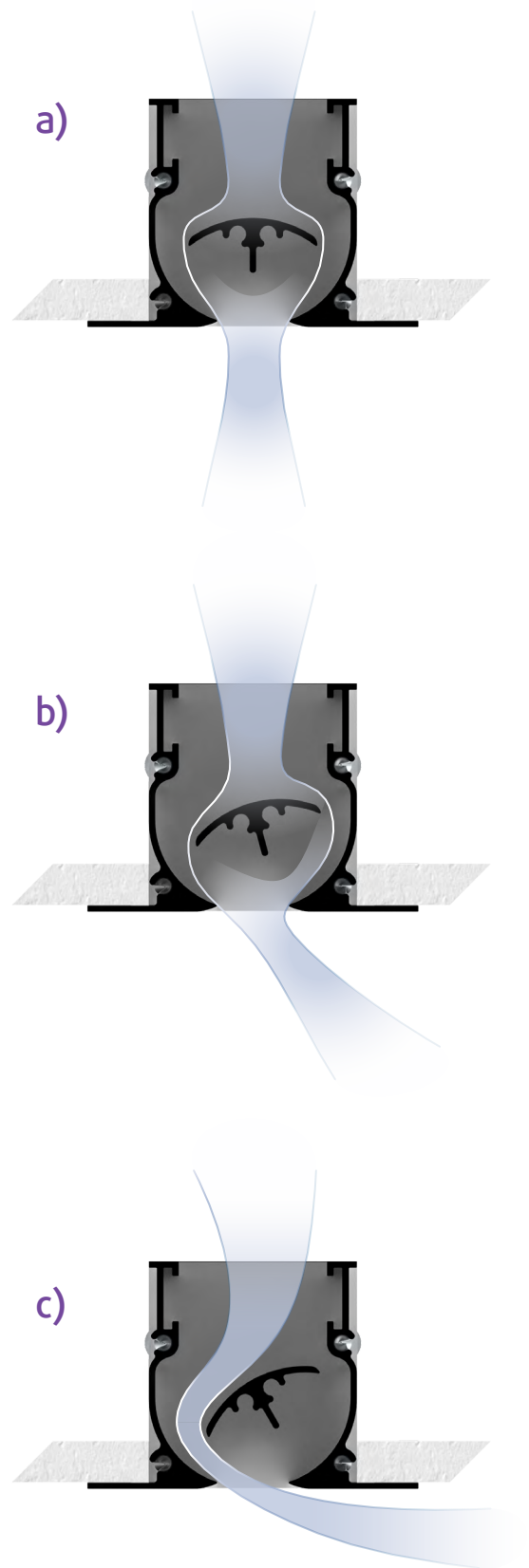
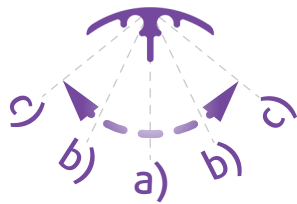
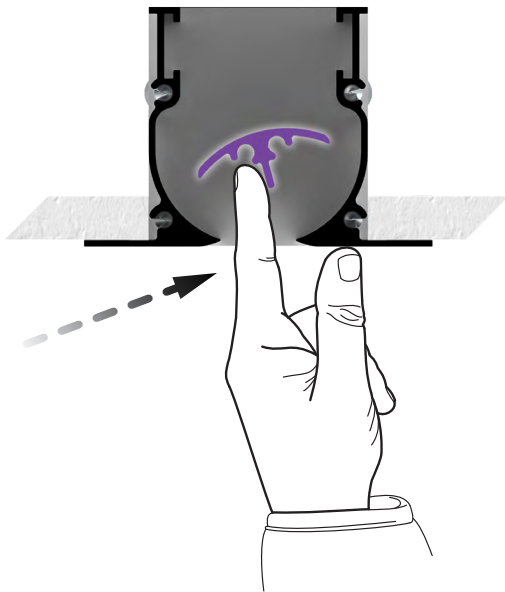


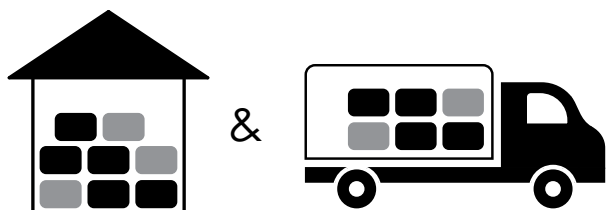
2.




3.

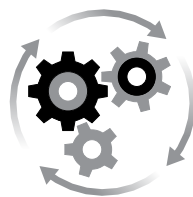







 °C -40°C ... +50°C

 % ≤ 95%



 °C -20°C ... +70°C

 % ≤ 95%



design.systemair.com

