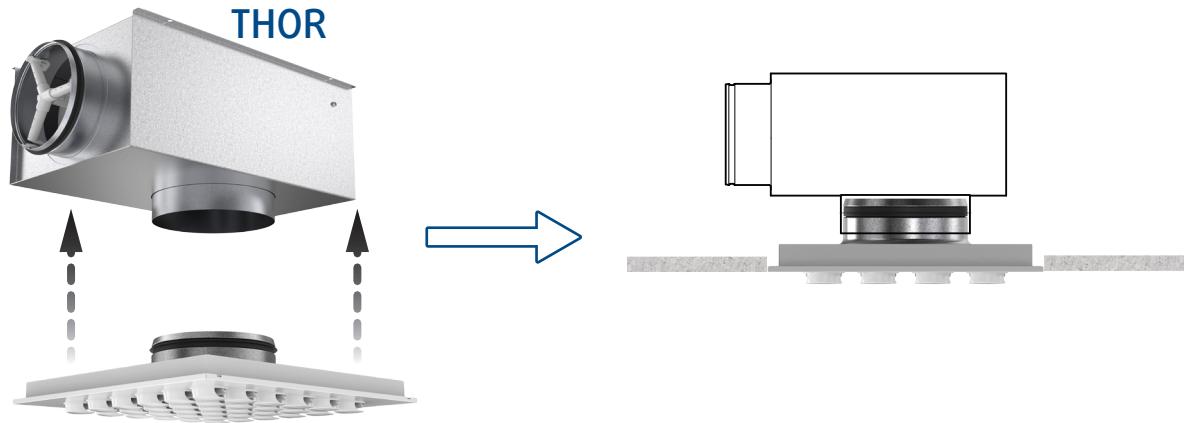


CAP-G

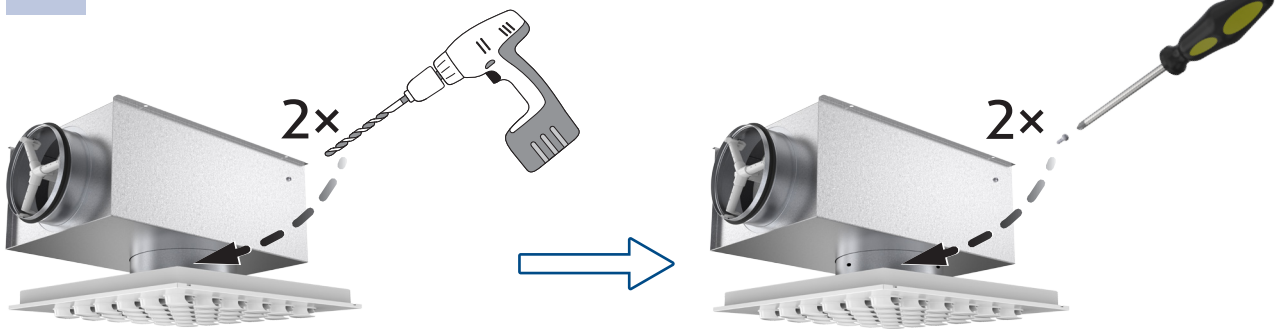
Installation, maintenance and operation instructions



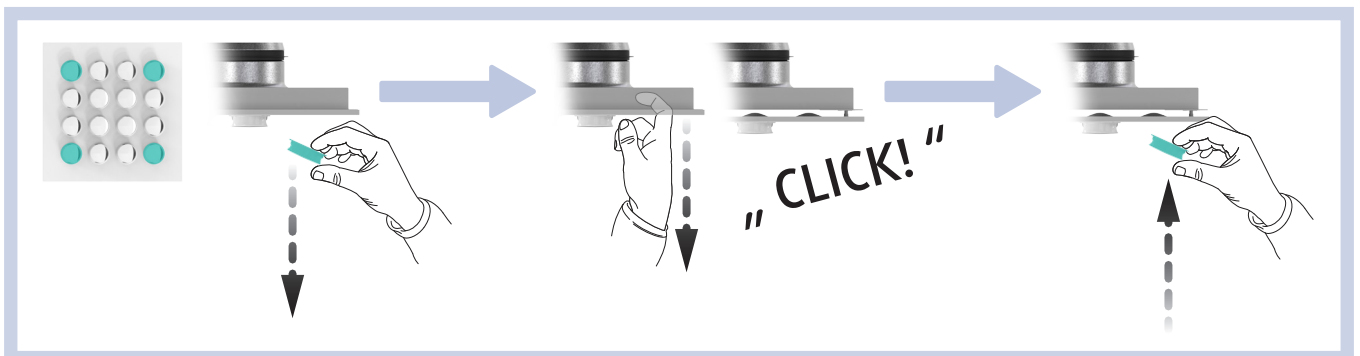
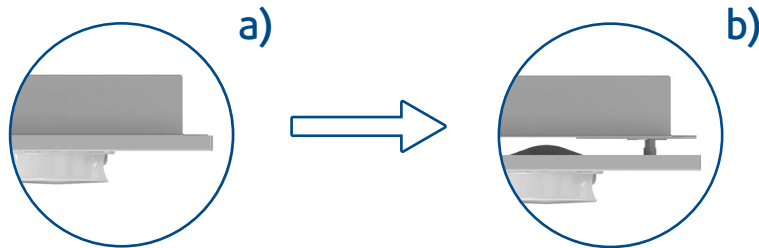
1.

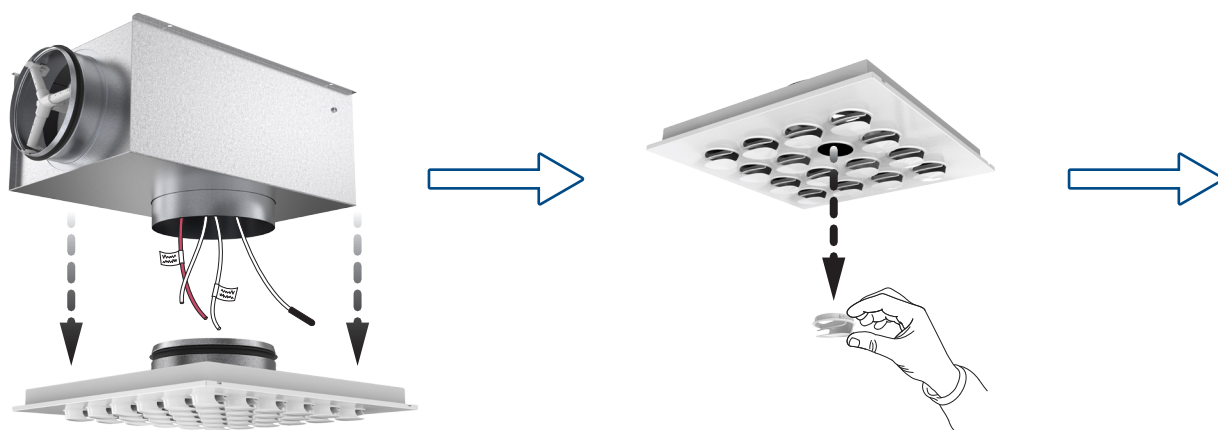
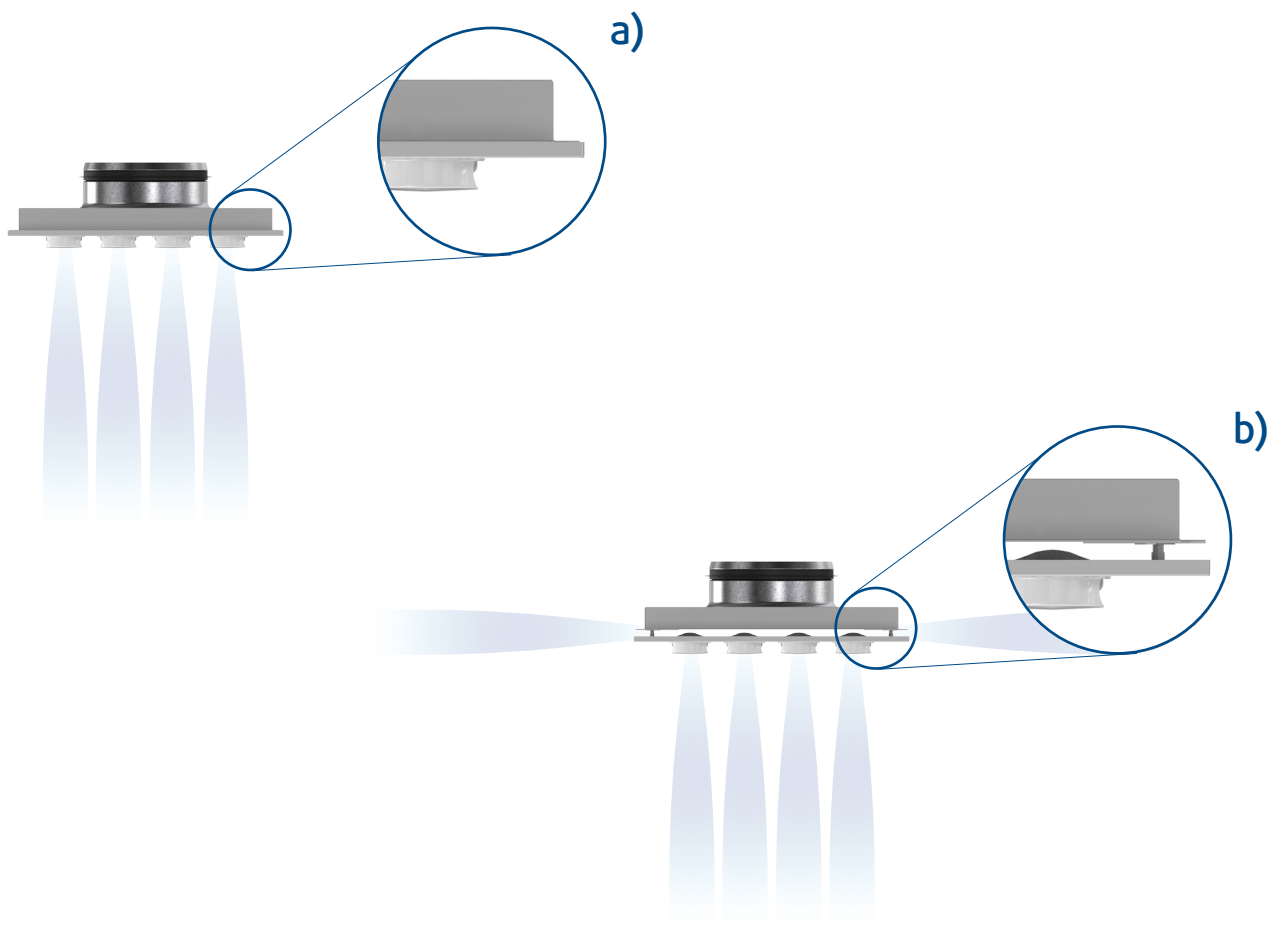


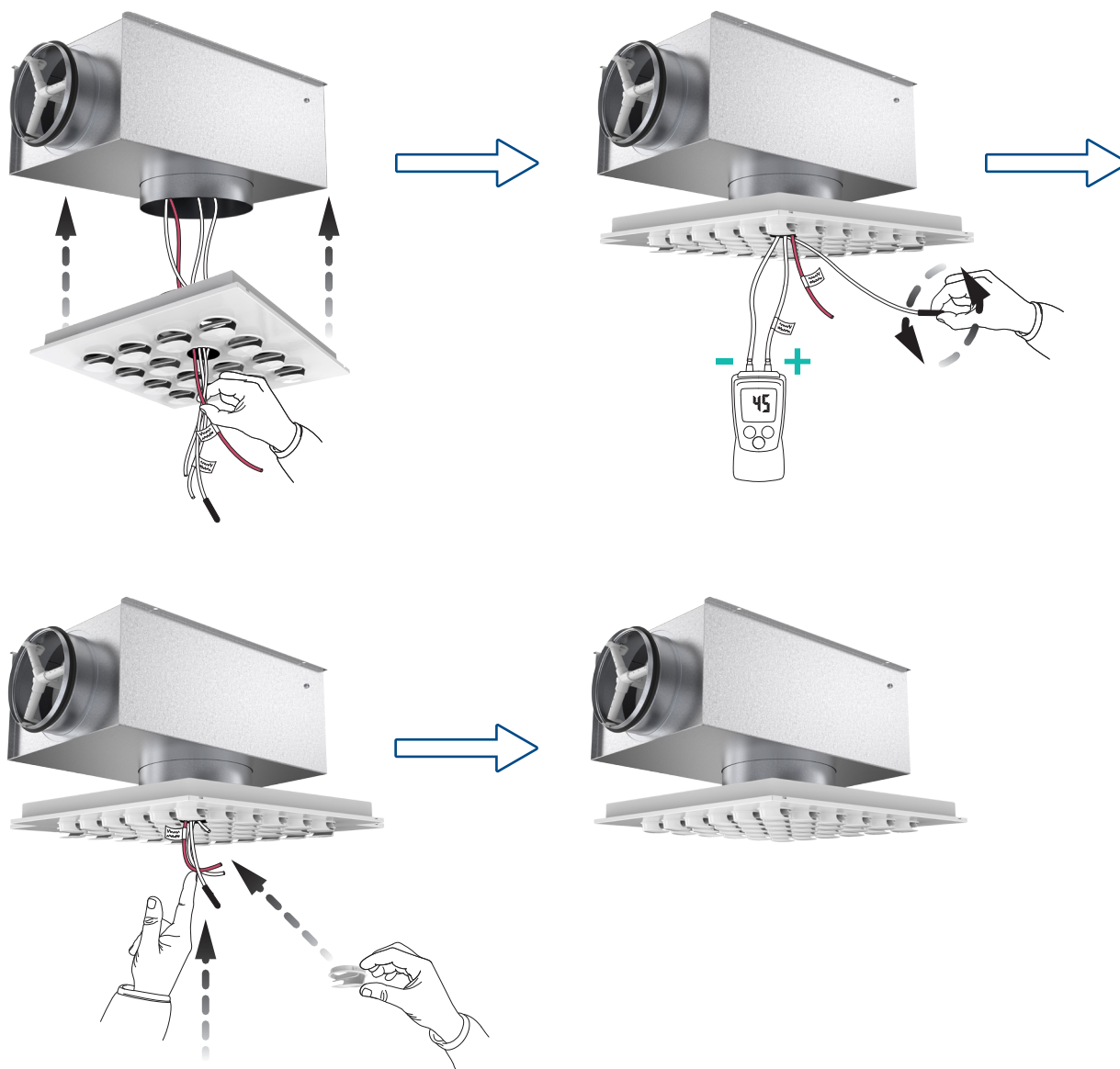
2.



3.







| k-factor | Supply air | |
|--------------|------------|-------|
| | (m³/h) | (l/s) |
| THOR-100-125 | 19,1 | 5,3 |
| THOR-125-160 | 33,1 | 9,2 |
| THOR-160-200 | 57,2 | 15,9 |
| THOR-200-250 | 93,6 | 26 |
| THOR-250-315 | 150,1 | 41,7 |
| THOR-315-400 | 258,8 | 71,9 |

$$Q \text{ (m}^3\text{/h)} = k \cdot \sqrt{\Delta p \text{ (Pa)}}$$

$$Q \text{ (l/s)} = k \cdot \sqrt{\Delta p \text{ (Pa)}}$$