

CAP-C

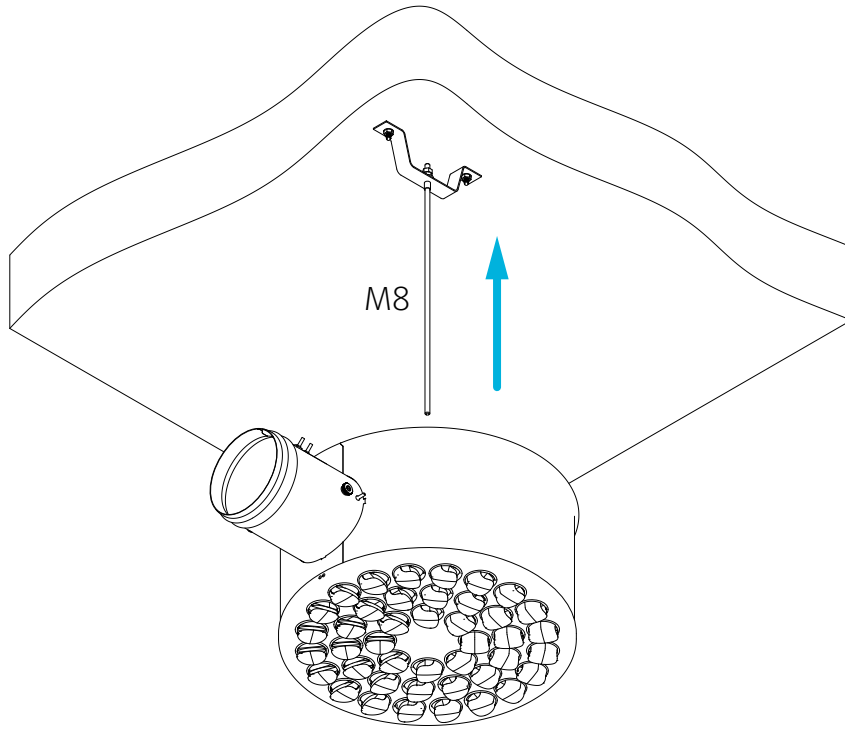
Multi-Nozzle Diffuser

User Manual

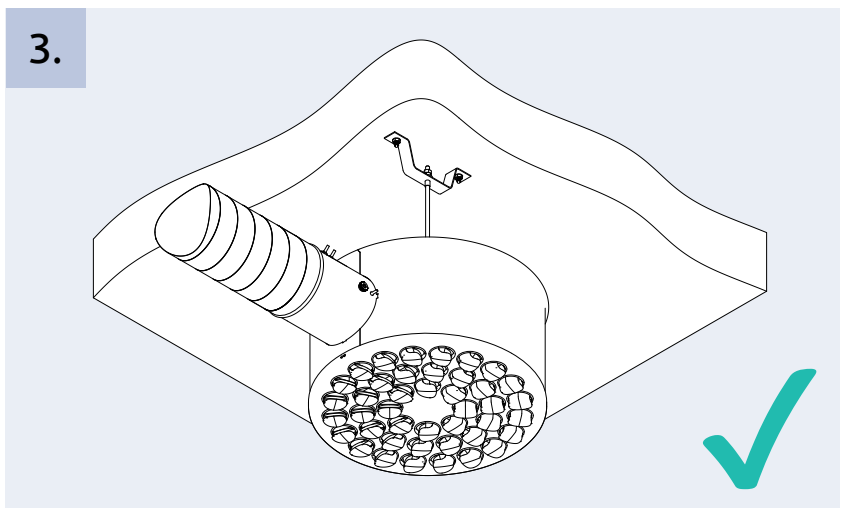
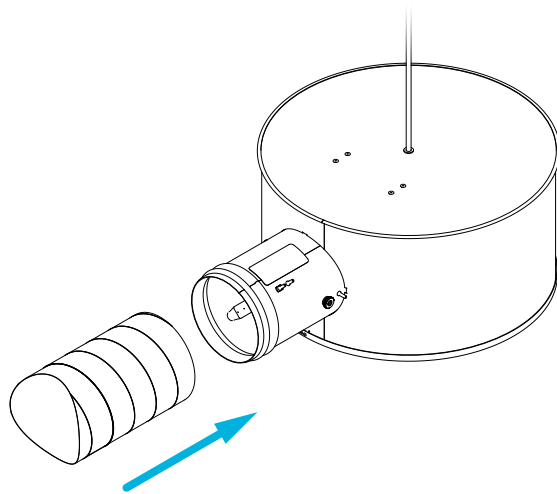




1.

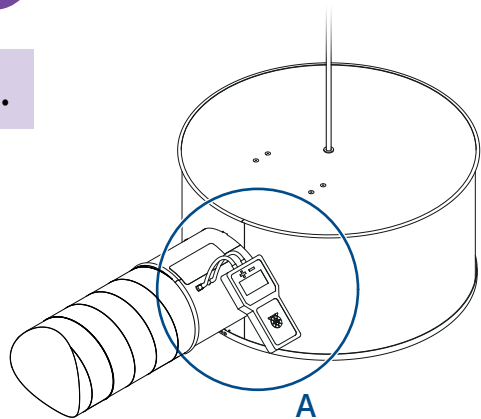


2.





1.



Air diffuser CAP - C - 160 - W
 Order No.: 1220190290
 Cust. Ord. No.:
 Made in Slovakia

Art. No.: 26072

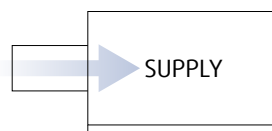
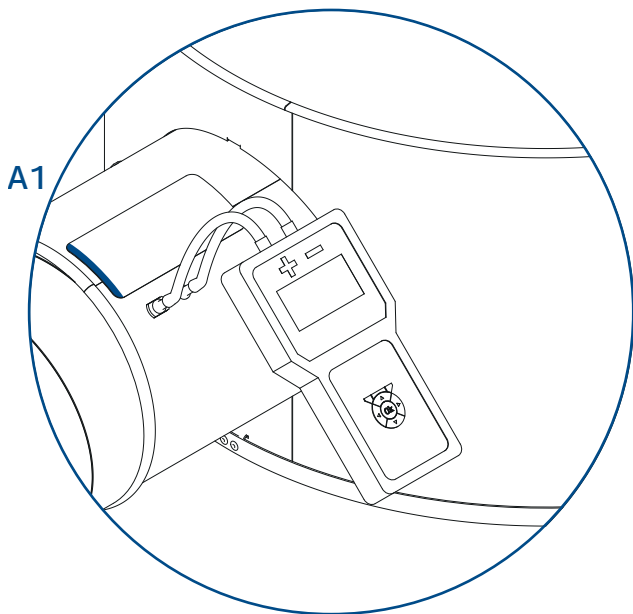
Ser. No.: 319038050002

systemair EAC

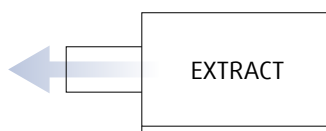
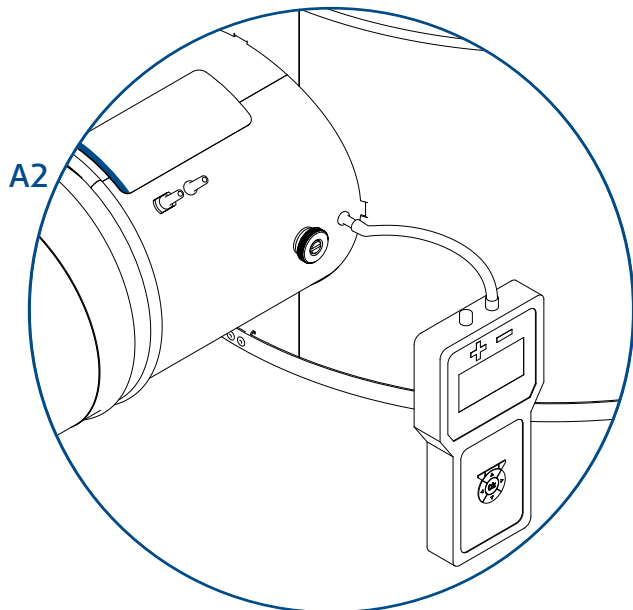
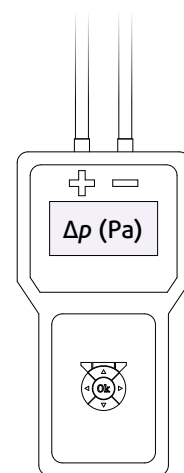
↓ SUPPLY
 $Q (l/s) = 13,3 \cdot \sqrt{\Delta p (Pa)}$

→ EXTRACT
 $Q (l/s) = 11,6 \cdot \sqrt{\Delta p (Pa)}$

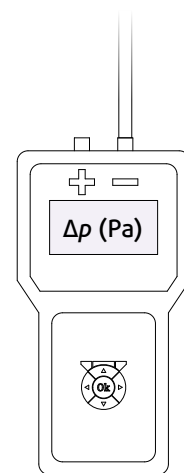
$$Q = k\text{-factor} \cdot \sqrt{\Delta p (Pa)}$$



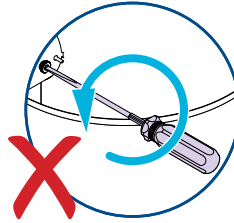
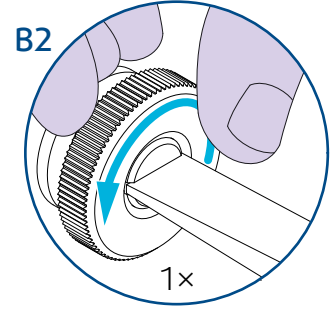
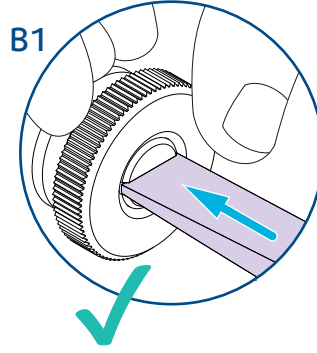
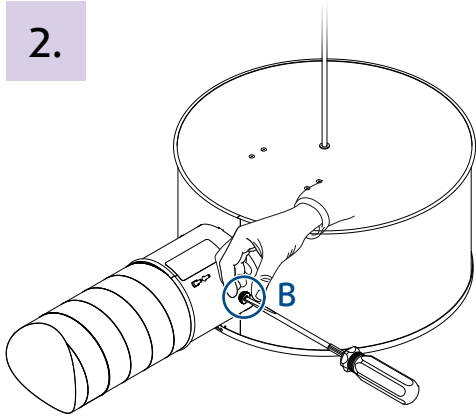
| k-factor | l/s | m³/h |
|-----------|-------|-------|
| CAP-C-100 | 4,3 | 15,6 |
| CAP-C-125 | 7,5 | 27,1 |
| CAP-C-160 | 13,3 | 48,0 |
| CAP-C-200 | 21,7 | 78,1 |
| CAP-C-250 | 34,6 | 124,5 |
| CAP-C-315 | 56,5 | 203,5 |
| CAP-C-400 | 105,5 | 379,8 |



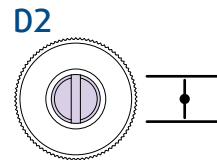
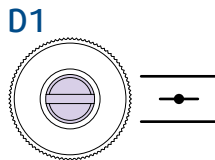
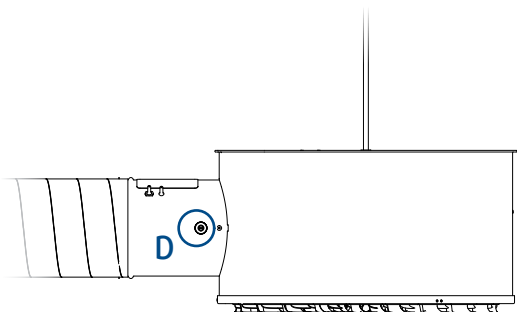
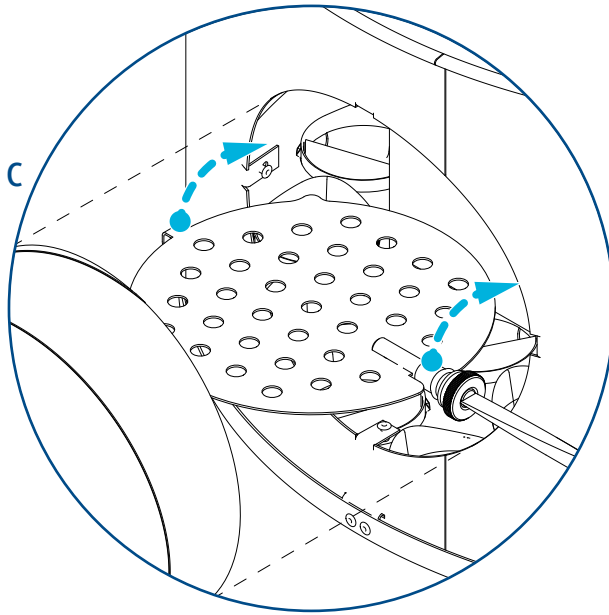
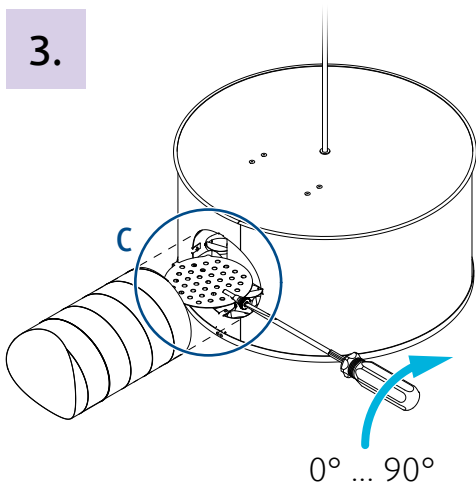
| k-factor | l/s | m³/h |
|-----------|-------|--------|
| CAP-C-100 | 4,8 | 17,3 |
| CAP-C-125 | 7,3 | 26,1 |
| CAP-C-160 | 11,6 | 41,6 |
| CAP-C-200 | 18,2 | 65,6 |
| CAP-C-250 | 34,6 | 124,5 |
| CAP-C-315 | 38,3 | 137,8 |
| CAP-C-400 | 57,19 | 205,88 |

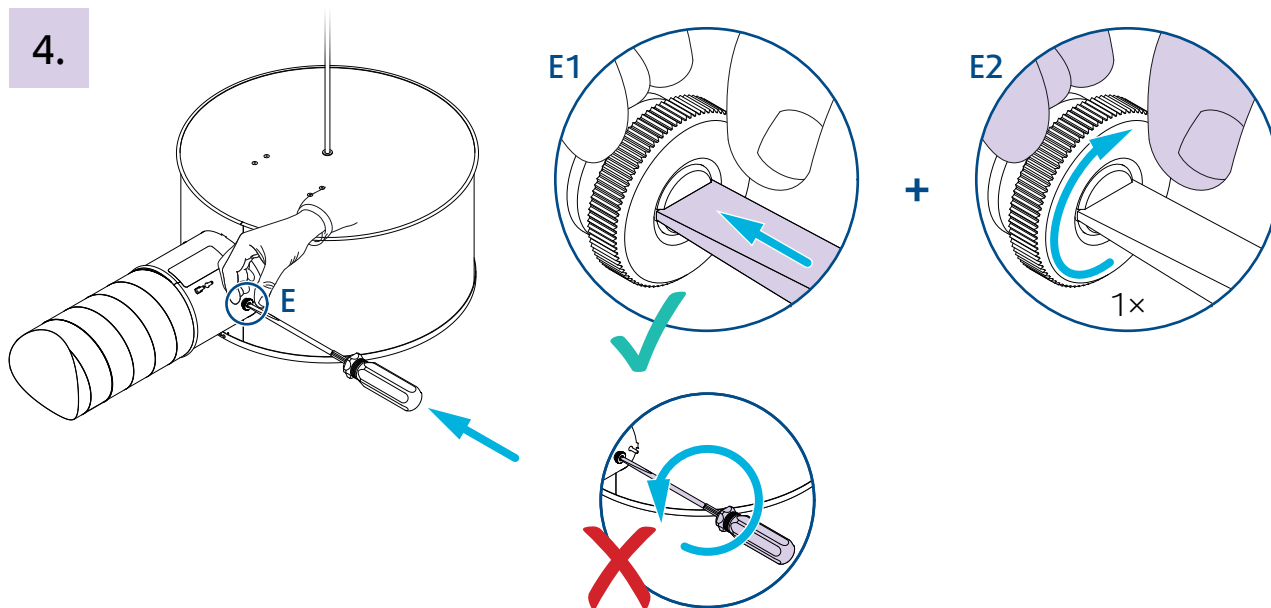


2.

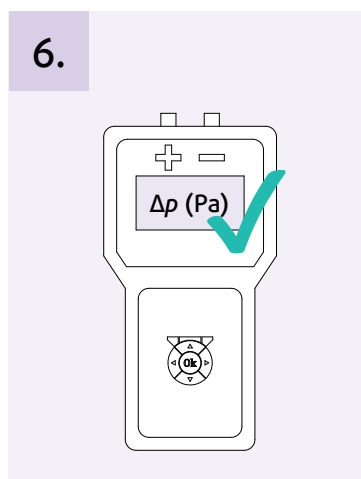


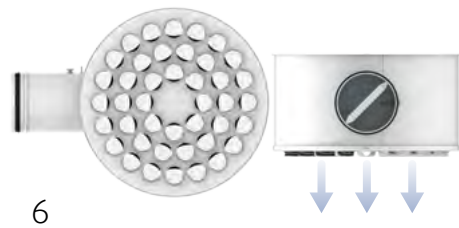
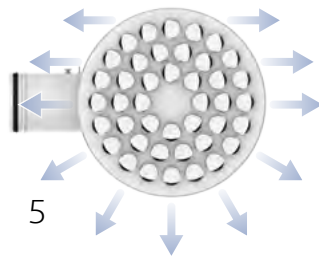
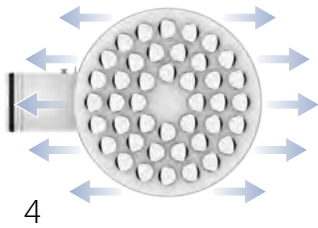
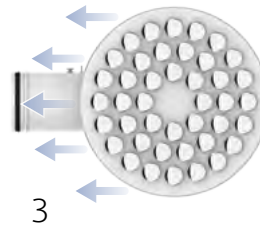
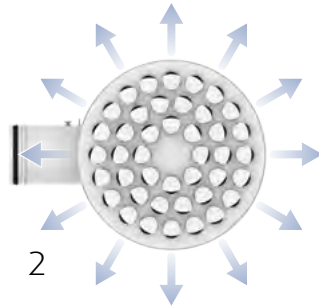
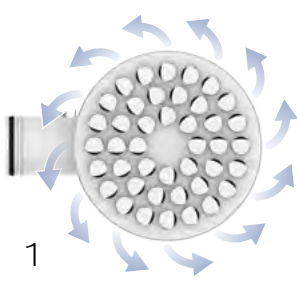
3.



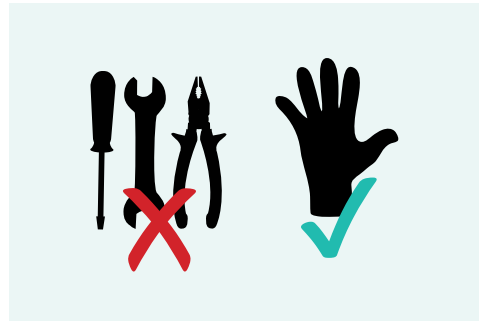
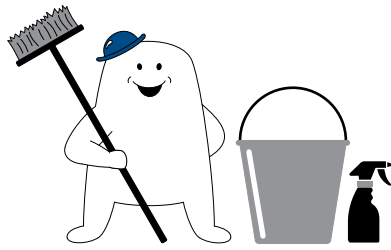


5. = 1.

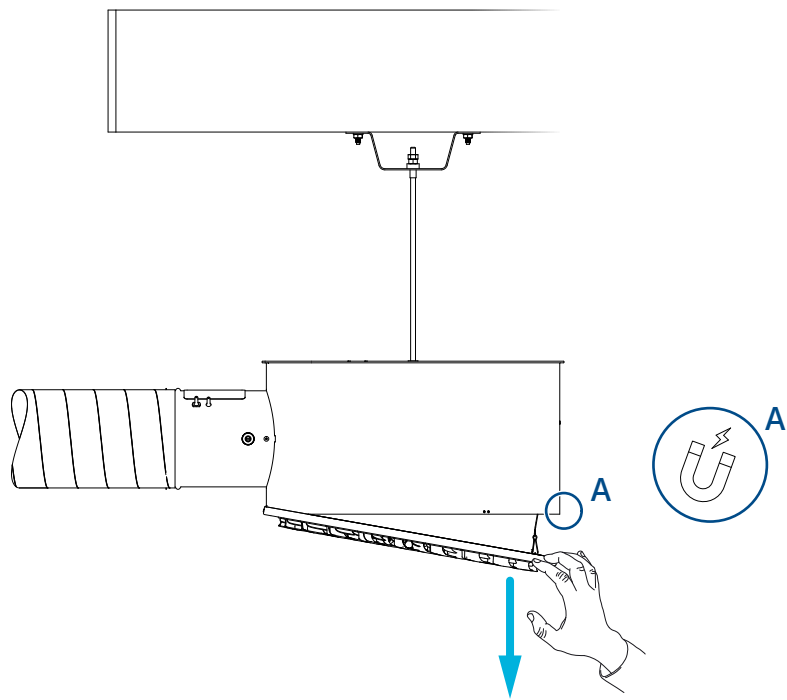




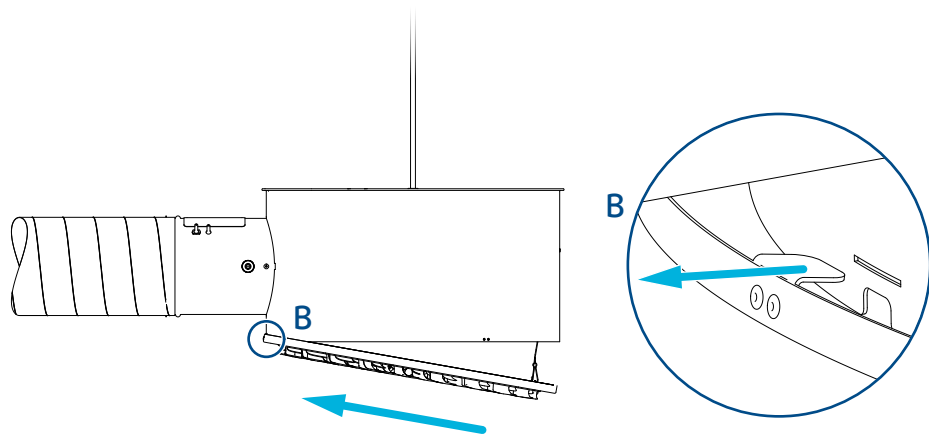
i



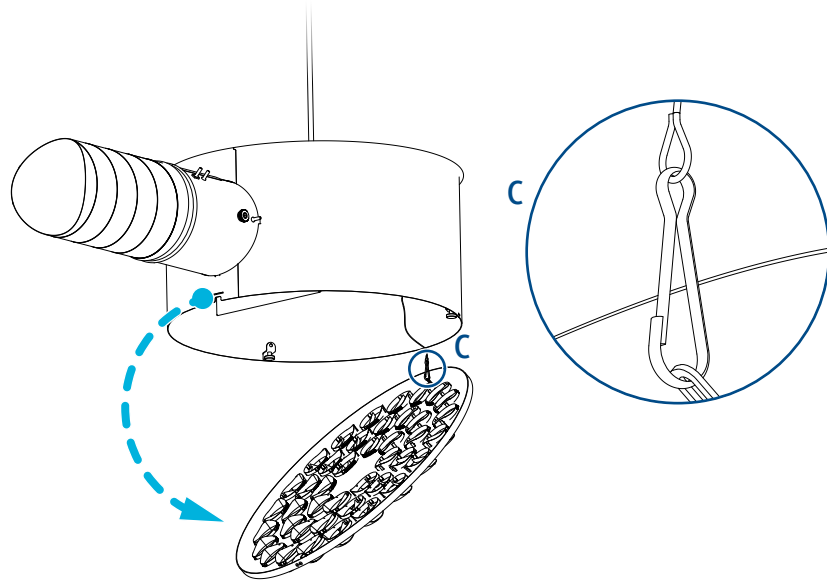
1.



2.



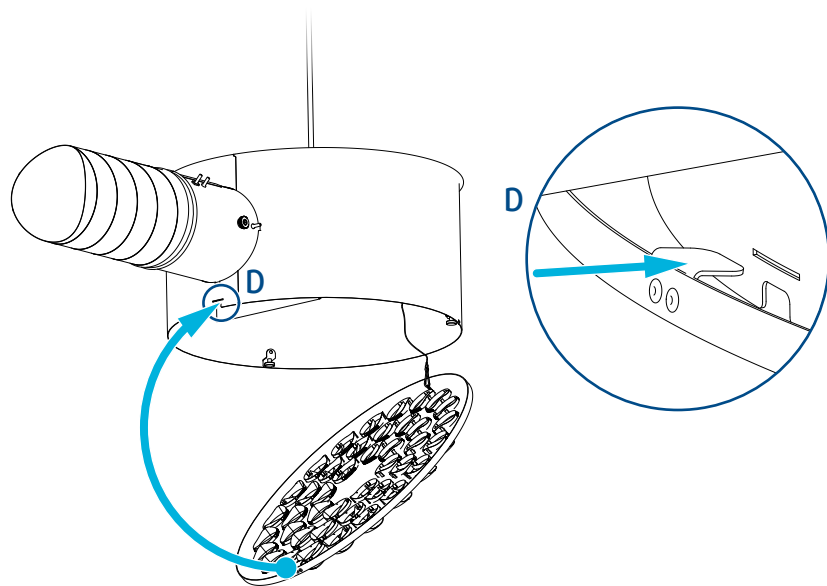
3.



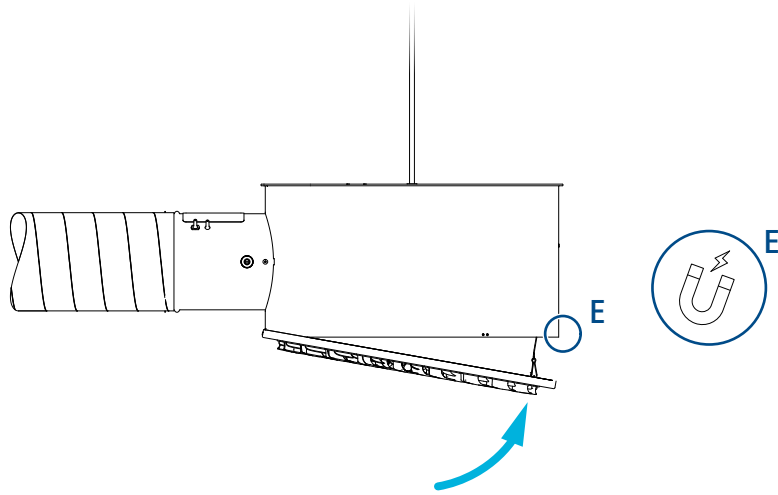
4.



5.



6.



7.

