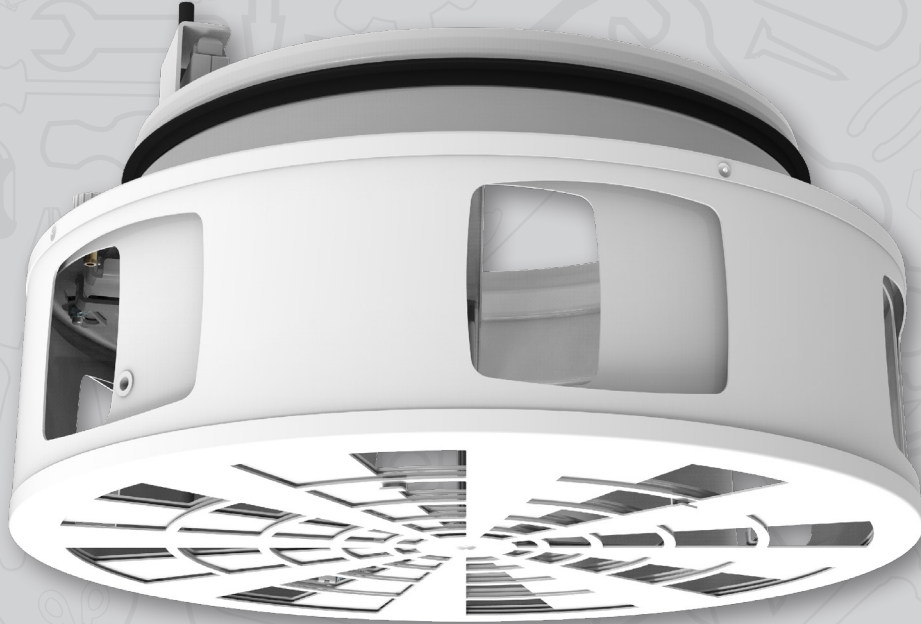


BURE

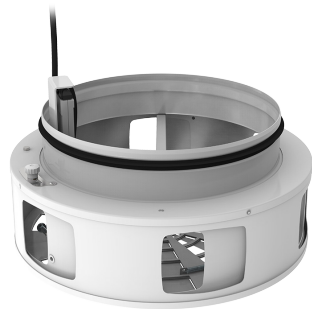
Variable Geometry Diffuser

User Manual





BURE-HC



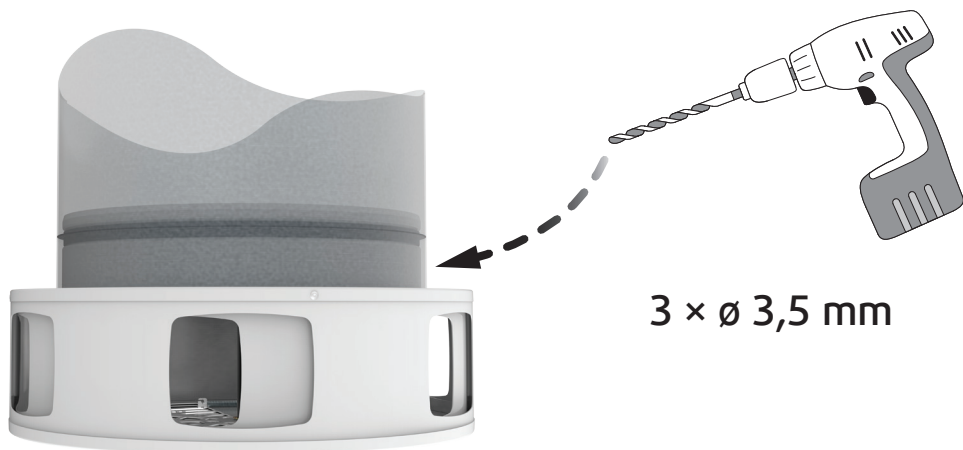
BURE-M2



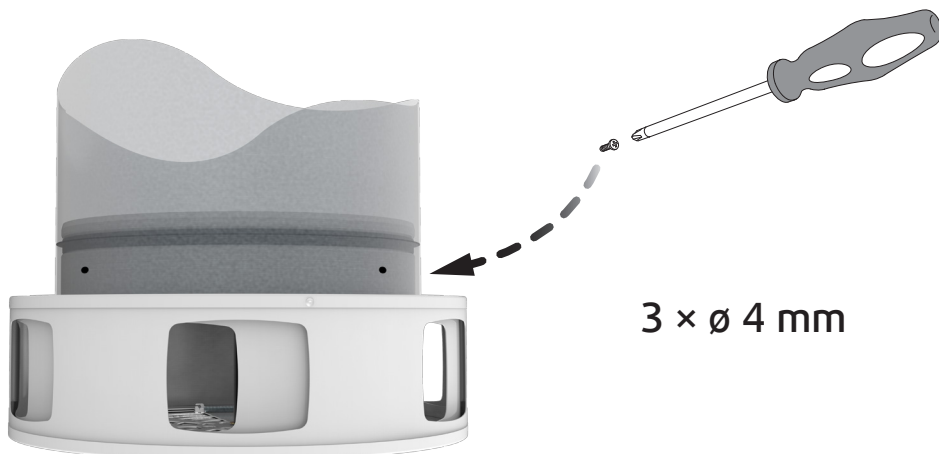
BURE-MC

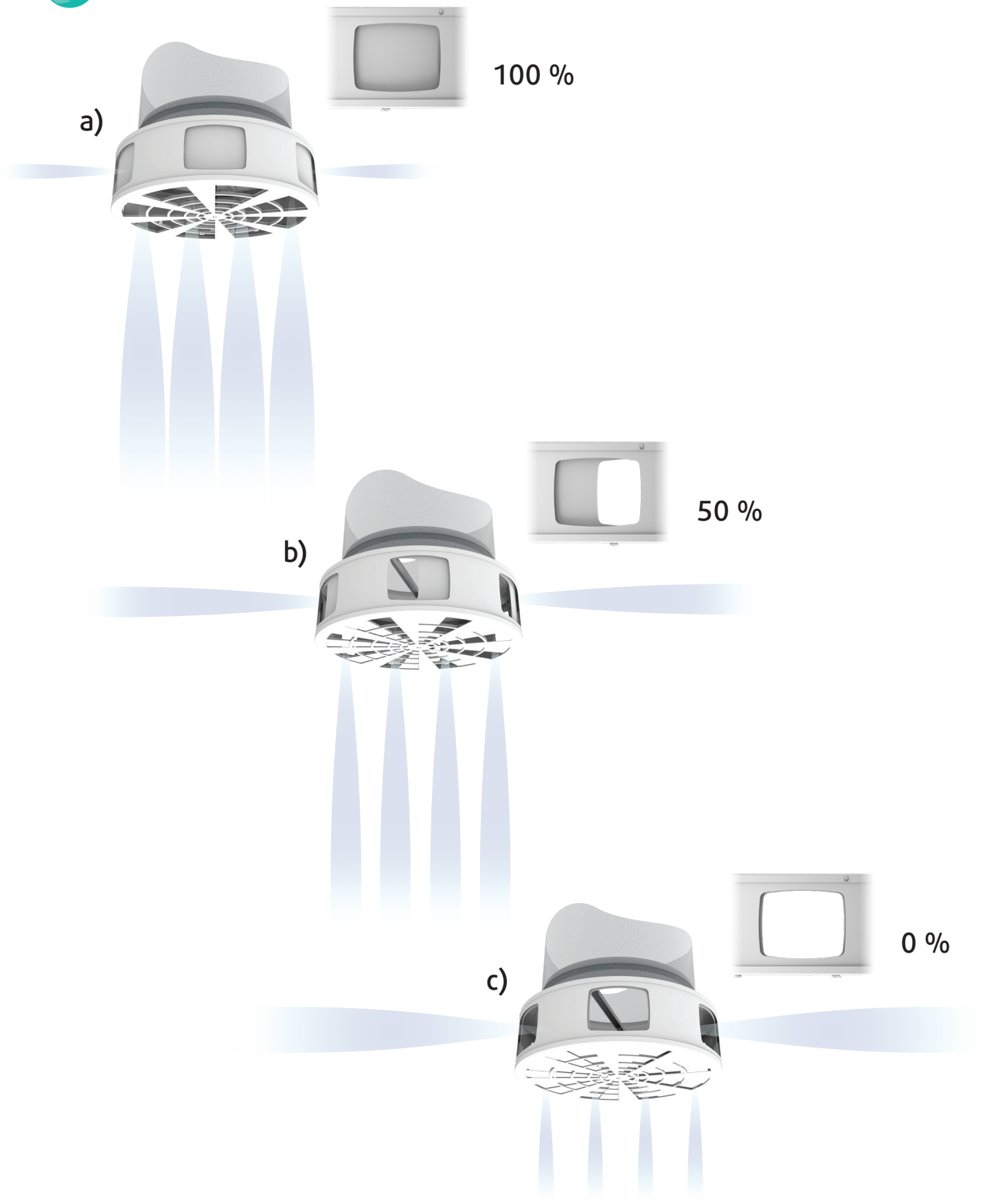


1.



2.







BURE...

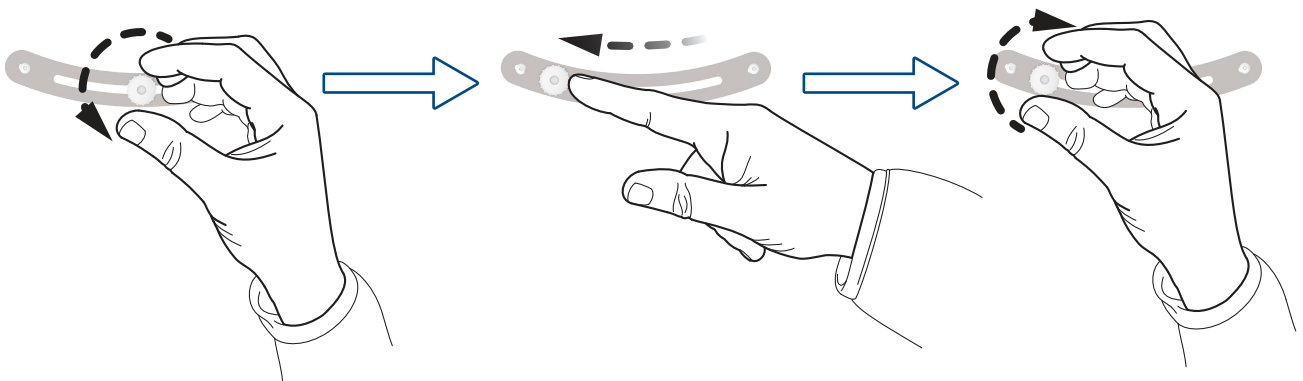
-HC

-M2

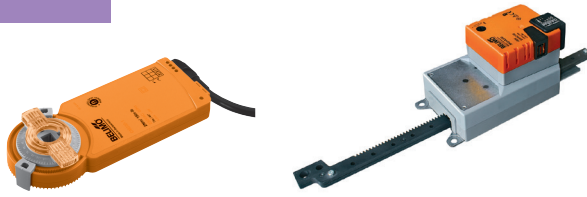
-MC

-HC

P5... P3 ... P1



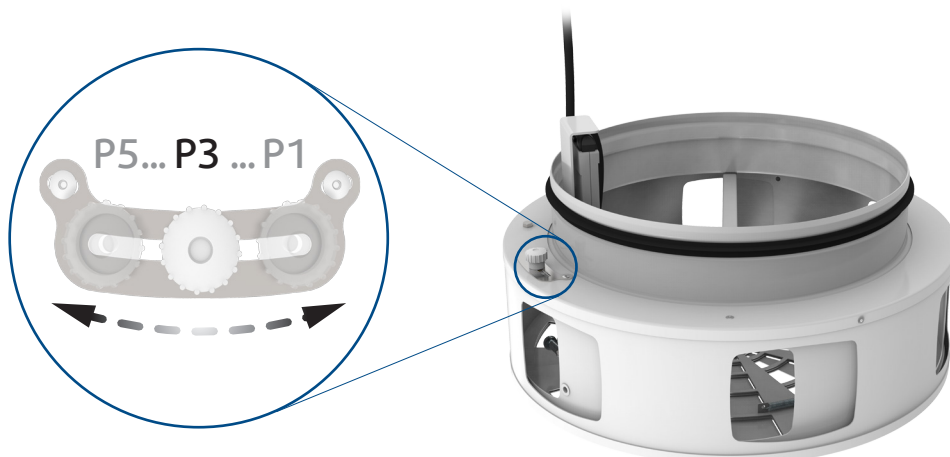
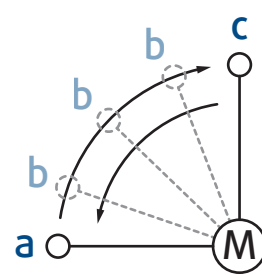
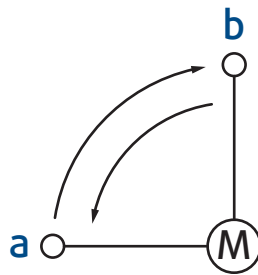
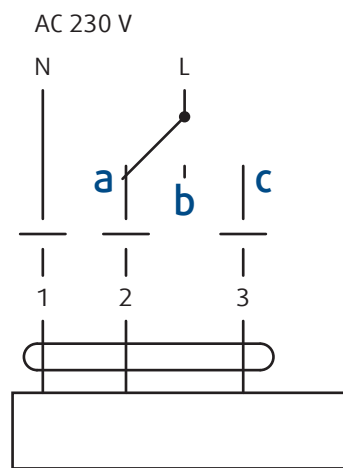
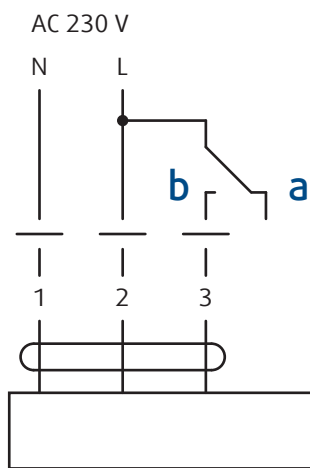
-M2



CM230-F10-L / LH230A100

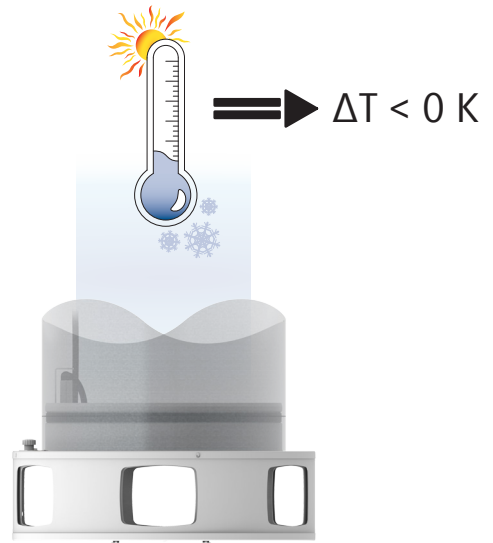
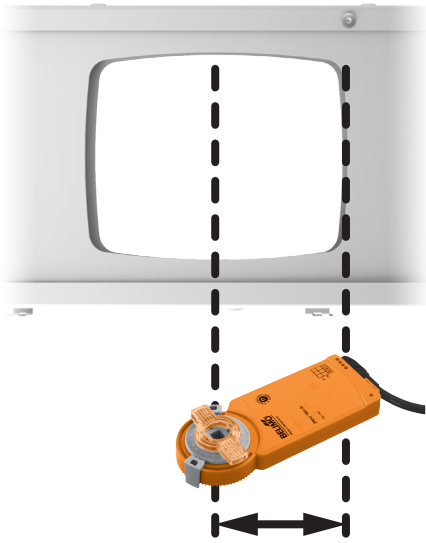
BURE-M2-250
BURE-M2-315

BURE-M2-400
BURE-M2-500
BURE-M2-630

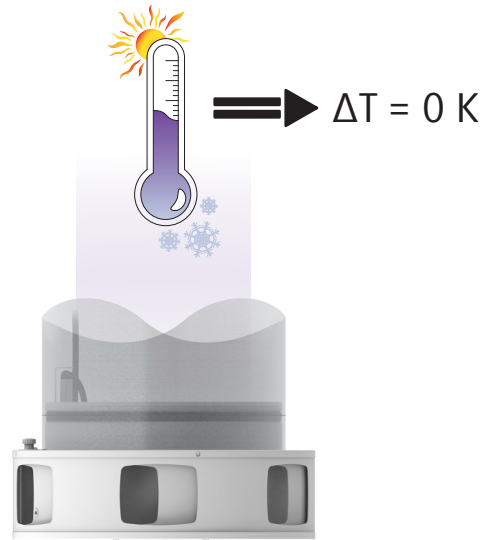
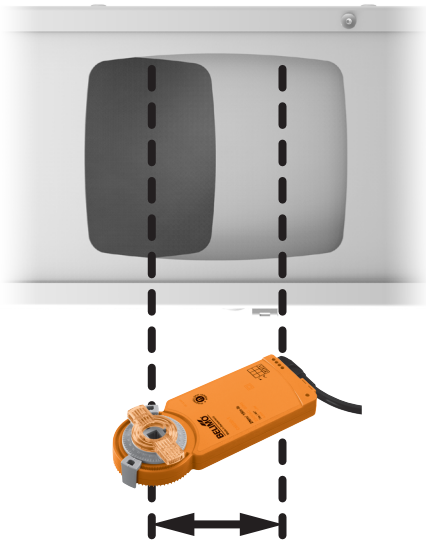


-M2

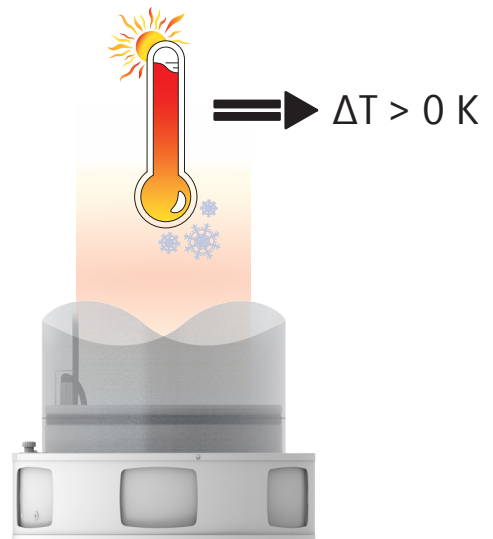
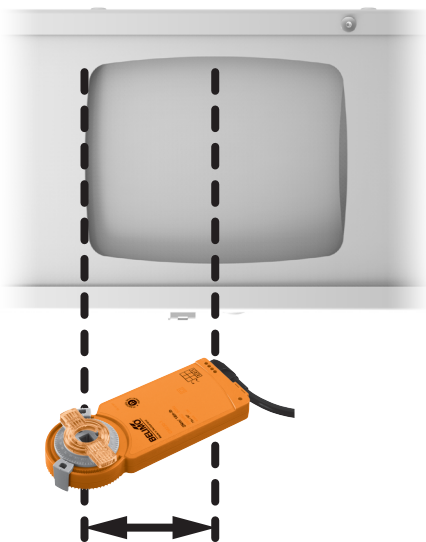
P5 ... P3



P4 ... P2



P3 ... P1

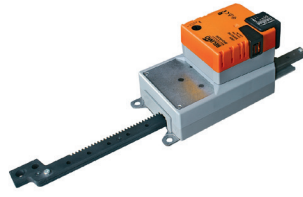


-MC



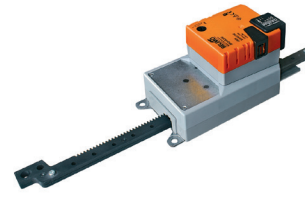
CM24-SR-F10

BURE-MC-250
BURE-MC-315



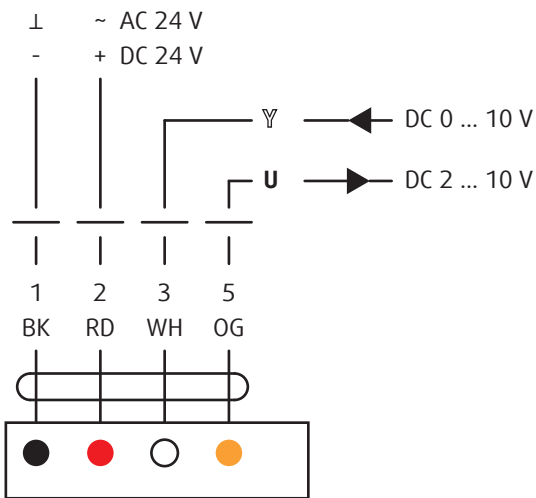
LH24A-MF100

BURE-MC-400

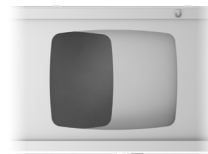


LH24A-MF200

BURE-MC-500
BURE-MC-630



Y = 10 V



Y = 5 V



Y = 0 V



°C -40°C ... +80°C

°C -10°C ... +50°C

% ≤ 95%

% ≤ 95%

