

AQUA

Slot Diffuser



Table of Contents

| | |
|---|-----|
| <u>Description</u> | .3 |
| <u>Dimensions</u> | .6 |
| <u>Ordering Codes</u> | .9 |
| <u>Accessories</u> | .12 |
| <u>Quick Selection</u> | .21 |
| <u>Installation</u> | .29 |
| <u>Transport, Storage and Operation</u> | .34 |
| <u>Supplement</u> | .35 |



Description

AQUA is a linear slot diffuser for installation into the floor, intended for air supply in ventilation systems for swimming pools and wet spaces with large windows or glass walls. Aqua helps protecting the glass surfaces from condensation of water.

Highlights

- Modern slim and compact design
- Low noise at sufficiently high air discharge velocity
- Homogenous discharge pattern on the whole diffuser length
- Single diffuser segments of various lengths
- Segments with detachable slot dividing profiles and 90° angle segments available
- Installation in multiple diffuser segment arrays is possible
- Robust design enables walking on the installed diffuser
- Plenum boxes with bottom and side duct connection

Product Types

- **AQUA:** Swimming pool slot diffuser
- **AQUA-DE**

: Swimming pool slot diffuser with detachable front slot dividing profiles. It is intended for cleaning of the air channel built by the diffuser consoles. The front slot dividing profiles are laying loosely in the console framing, so they can be easily raised and detached. Only 2/3/4/5-slot elements with 1000 mm length are available.

- **AQUA-CE**

: Corner element with 90° angle. It can be used as a functional element for air supply, though it cannot be combined with a plenum box.

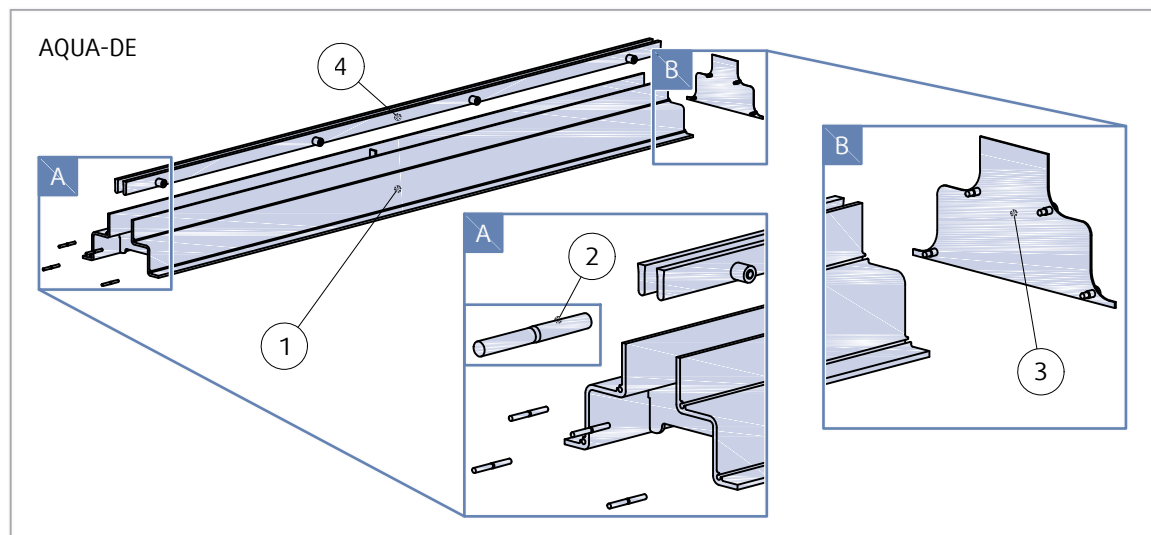
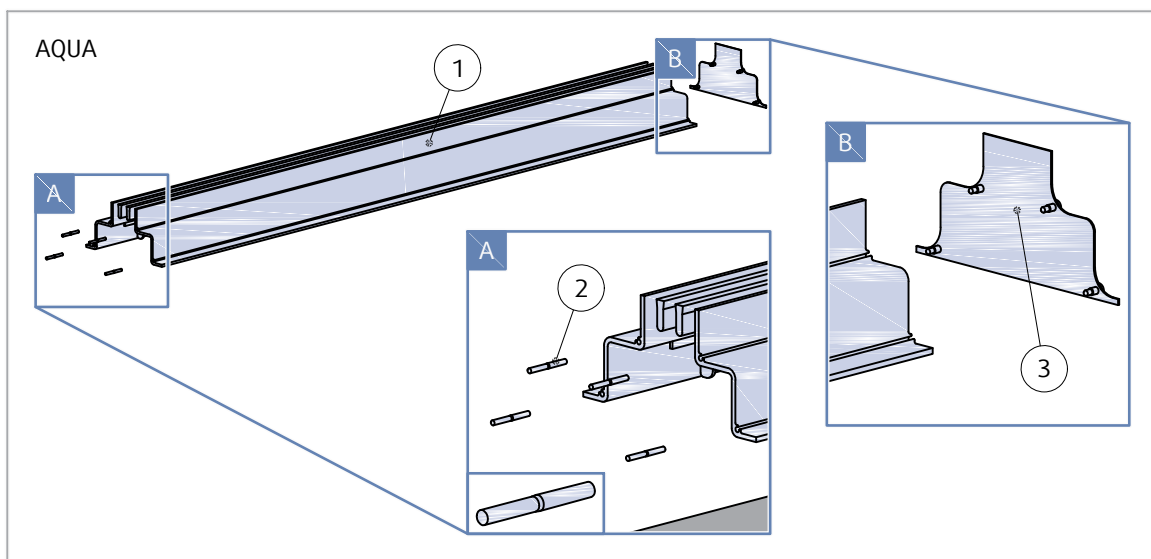
List of Accessories:

- **PB-AQUA-B & PB-AQUA-S:** Plenum Boxes
- **EC-AQUA:** End Cap
- **CP-HELLA:** Connection Pins
- **DN-AQUA:** Drainage Nipple
- **DP-AQUA:** Drainage Plug
- **LB-AQUA:** Leveling Bridge

Design

Diffuser AQUA consists of a pressure equalizing console from two main aluminium profiles. The profiles are connected by stainless steel thread bolts. The bolts also fix the aluminium profiles that separate the air discharge slots. The diffuser console is open on the bottom. Inside the consoles there are vertical deflectors, one per each 0,5 m of length. The deflectors help the air discharge pattern becoming homogenous and correctly oriented. The consoles can be connected into a multiple segment array by connection pins (accessory CP-HELLA). On both outermost ends of the array the end caps (accessory EC-AQUA) can be attached to the consoles. They avoid the fluid building materials (concrete, mortar...) from intruding into the diffuser console during installation and floor finishing. The plenum boxes PB-AQUA from stainless steel are available for installation with side or bottom duct connections.

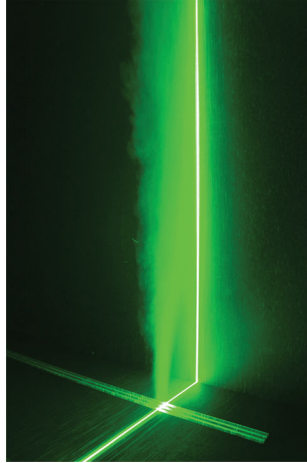
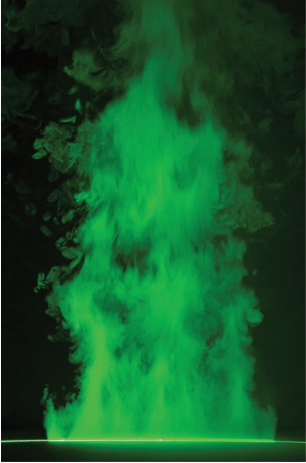
Product Parts



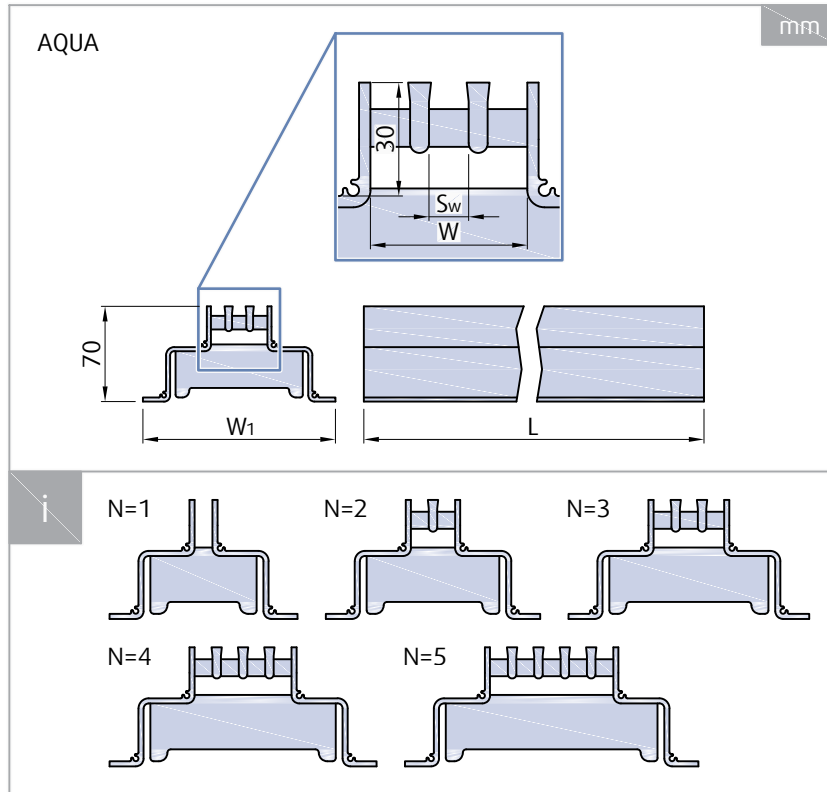
Legend

- 1 Console
- 2 CP-HELLA connection pins (accessory)
- 3 EC-AQUA end cap (accessory)
- 4 Slot dividing profiles

Air flow visualisation

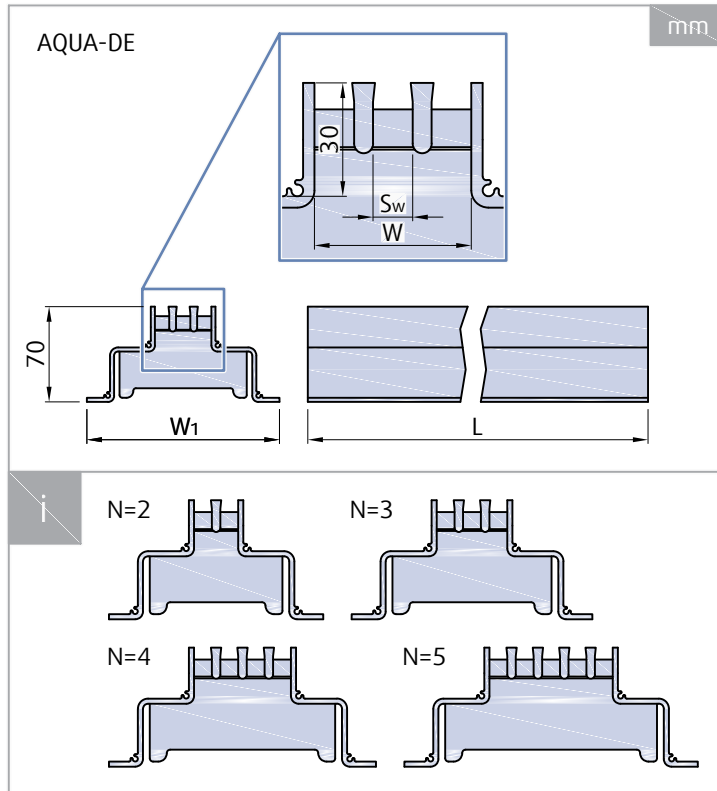


Dimensions



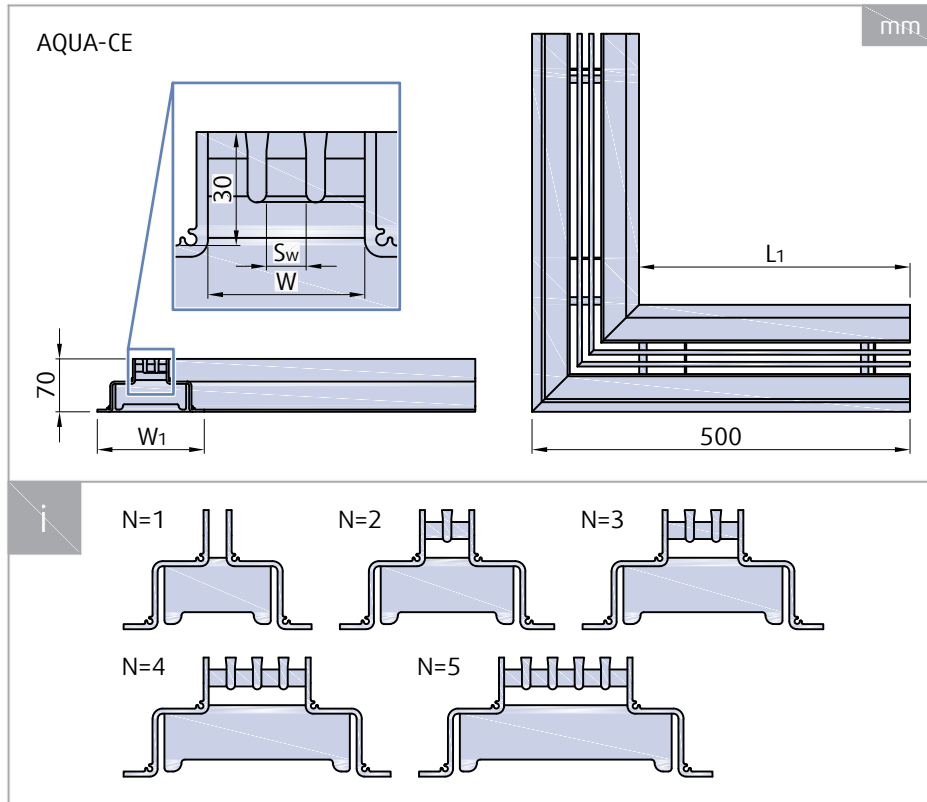
| L mm | N | S _w | W | W ₁ |
|--------------------|---|----------------|----|----------------|
| | | mm | | |
| 500/1000/1500/2000 | 1 | - | 8 | 109 |
| | | - | 10 | 111 |
| | | - | 12 | 113 |
| | 2 | 8 | 22 | 122 |
| | | 10 | 26 | 126 |
| | | 12 | 30 | 130 |
| | 3 | 8 | 36 | 136 |
| | | 10 | 42 | 142 |
| | | 12 | 48 | 148 |
| | 4 | 8 | 49 | 149 |
| | | 10 | 57 | 157 |
| | | 12 | 65 | 165 |
| | 5 | 8 | 63 | 163 |
| | | 10 | 73 | 173 |
| | | 12 | 83 | 183 |

| L mm | N | m |
|---------|---|-----|
| | | kg |
| 500 | 1 | 1 |
| | 2 | 1,1 |
| | 3 | 1,3 |
| | 4 | 1,4 |
| | 5 | 1,6 |
| 1000 | 1 | 1,5 |
| | 2 | 1,8 |
| | 3 | 1,9 |
| | 4 | 2,1 |
| | 5 | 2,2 |
| 1500 | 1 | 2 |
| | 2 | 2,4 |
| | 3 | 2,6 |
| | 4 | 2,7 |
| | 5 | 2,9 |
| 2000 | 1 | 2,5 |
| | 2 | 3,1 |
| | 3 | 3,2 |
| | 4 | 3,4 |
| | 5 | 3,5 |



| AQUA-DE | L | N | S_w | W | W_1 |
|---------|------|----|-------|-----|-------|
| | mm | | | | |
| 1000 | 1000 | 2 | 8 | 22 | 122 |
| | | | 10 | 26 | 126 |
| | | | 12 | 30 | 130 |
| | | 3 | 8 | 36 | 136 |
| | | | 10 | 42 | 142 |
| | | | 12 | 48 | 148 |
| | | 4 | 8 | 49 | 149 |
| | | | 10 | 57 | 157 |
| | | | 12 | 65 | 165 |
| | 5 | 8 | 63 | 163 | |
| | | 10 | 73 | 173 | |
| | | 12 | 83 | 183 | |

| AQUA-DE | L | N | m |
|---------|------|---|-----|
| | mm | | |
| 1000 | 1000 | 1 | 1,7 |
| | | 2 | 1,9 |
| | | 3 | 2,1 |
| | | 4 | 2,2 |
| | | 5 | 2,3 |



| AQUA-CE | N | S_w | W | W_1 | L_1 |
|---------|----|-------|-----|-------|-------|
| | | mm | | | |
| 1 | - | 8 | 109 | 391 | |
| | - | 10 | 111 | 389 | |
| | - | 12 | 113 | 387 | |
| 2 | 8 | 22 | 122 | 378 | |
| | 10 | 26 | 126 | 374 | |
| | 12 | 30 | 130 | 370 | |
| 3 | 8 | 36 | 136 | 364 | |
| | 10 | 42 | 142 | 358 | |
| | 12 | 48 | 148 | 352 | |
| 4 | 8 | 49 | 149 | 351 | |
| | 10 | 57 | 157 | 343 | |
| | 12 | 65 | 165 | 335 | |
| 5 | 8 | 63 | 163 | 337 | |
| | 10 | 73 | 173 | 327 | |
| | 12 | 83 | 183 | 317 | |

| AQUA-CE | N | m |
|---------|-----|---|
| | kg | |
| 1 | 2 | |
| 2 | 2,2 | |
| 3 | 2,3 | |
| 4 | 2,4 | |
| 5 | 2,5 | |

Ordering Codes

NOTE: 4 pieces of connection pins CP-HELLA are attached to each piece of products AQUA, AQUA-DE and AQUA-CE. They can be used if the diffuser elements shall be part of multiple elements array.

AQUA

Swimming Pool Slot Diffuser

Number of slots (N)

- 1
- 2
- 3
- 4
- 5

Slot Width (mm)

- 8
- 10
- 12

Length (mm)

- 500
- 1000
- 1500
- 2000**

Example of the Ordering Code

AQUA-4-10-1500

4-Slot diffuser with 10 mm slot width, 1500 mm length.

AQUA-DE

Swimming Pool Slot Diffuser with Detachable Front Slot Dividing Profiles

Number of slots (N)

2

3

4

5

Slot Width (mm)

8

10

12

NOTE: Only 2/3/4/5-slot elements with 1000 mm length are available.

Example of the Ordering Code

AQUA-DE-3-10

Diffuser with detachable front slot dividing profiles, 1000 mm long, with 3 slots of 10 mm width.

AQUA-CE

90° Corner Element

Number of slots (N)

1

2

3

4

5

Slot Width (mm)

8

10

12

Example of the Ordering Code

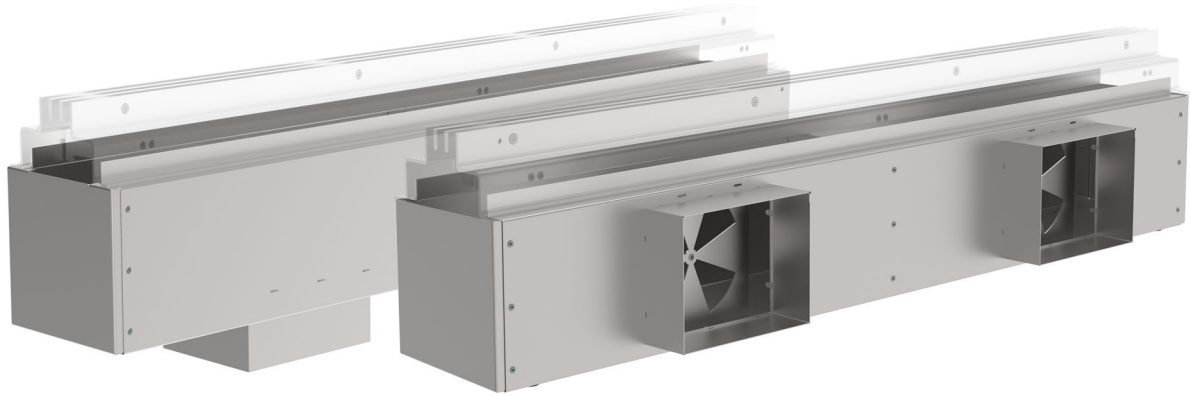
AQUA-CE-3-10

Corner element AQUA with 3 slots of 10 mm width.

Accessories

PB-AQUA-B & PB-AQUA-S

Plenum Boxes



Description

PB-AQUA is a plenum box installed with slot diffuser AQUA of corresponding dimension to achieve optimal air distribution and discharge over the whole length of the diffuser.

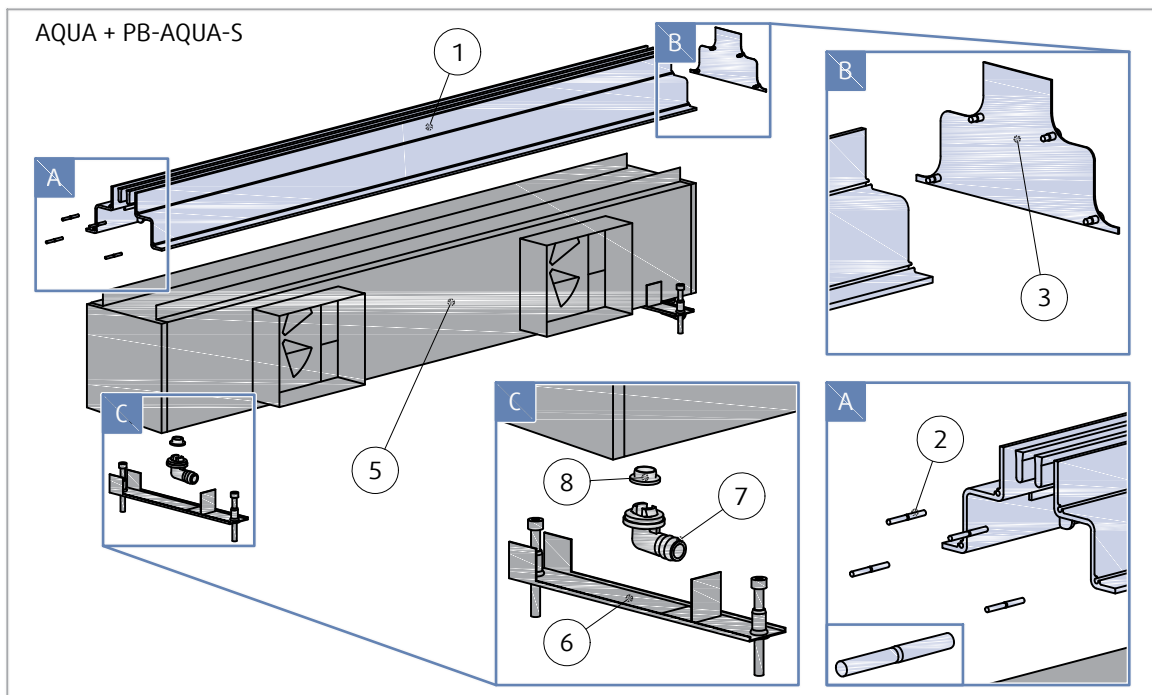
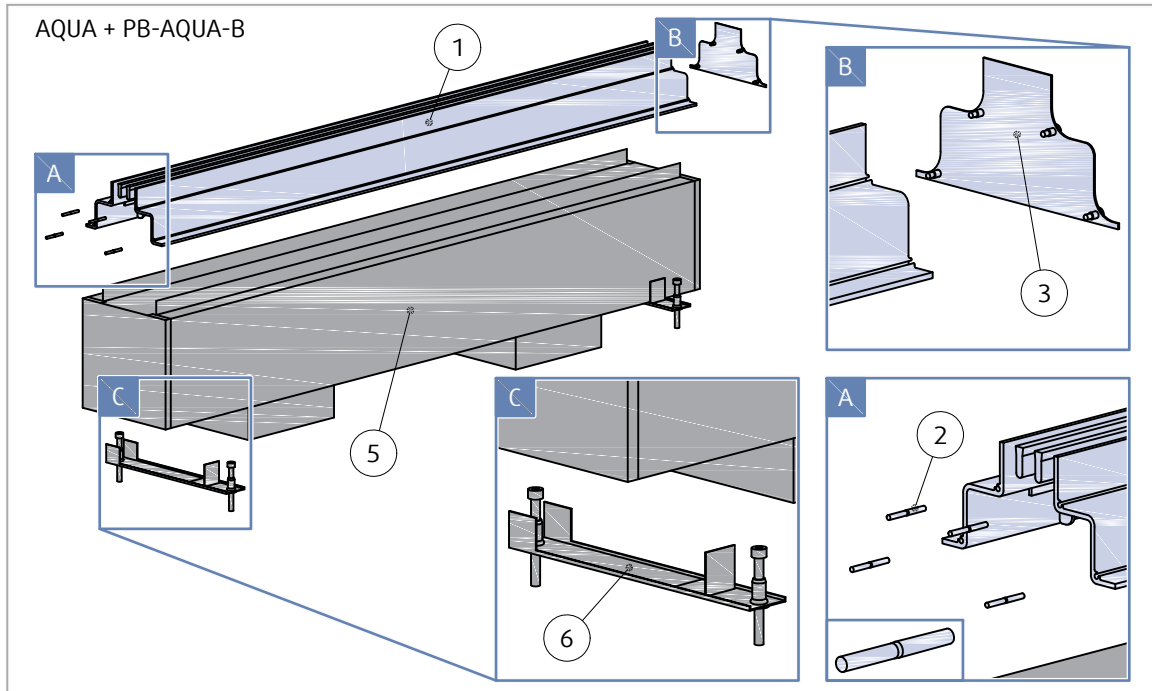
The box is available in two versions:

- PB-AQUA-S with horizontal duct connection on the side.
- PB-AQUA-B with vertical duct connection on the bottom.

Design

The rectangular plenum box PB-AQUA is made from stainless steel A316L sheet. The air duct connections on the side of the box have circular or rectangular shape according to the diffuser capacity. The connections on the box are localized in regular distances, the first one 250 mm from the edge of the box and the next ones in 500 mm from each other.. The connections are flat without gasket. The duct connections are equipped by dampers. The box with side connection has sloped bottom and drainage holes sealed by detachable plugs. drainage nipple is available for use when plugged into the hole.

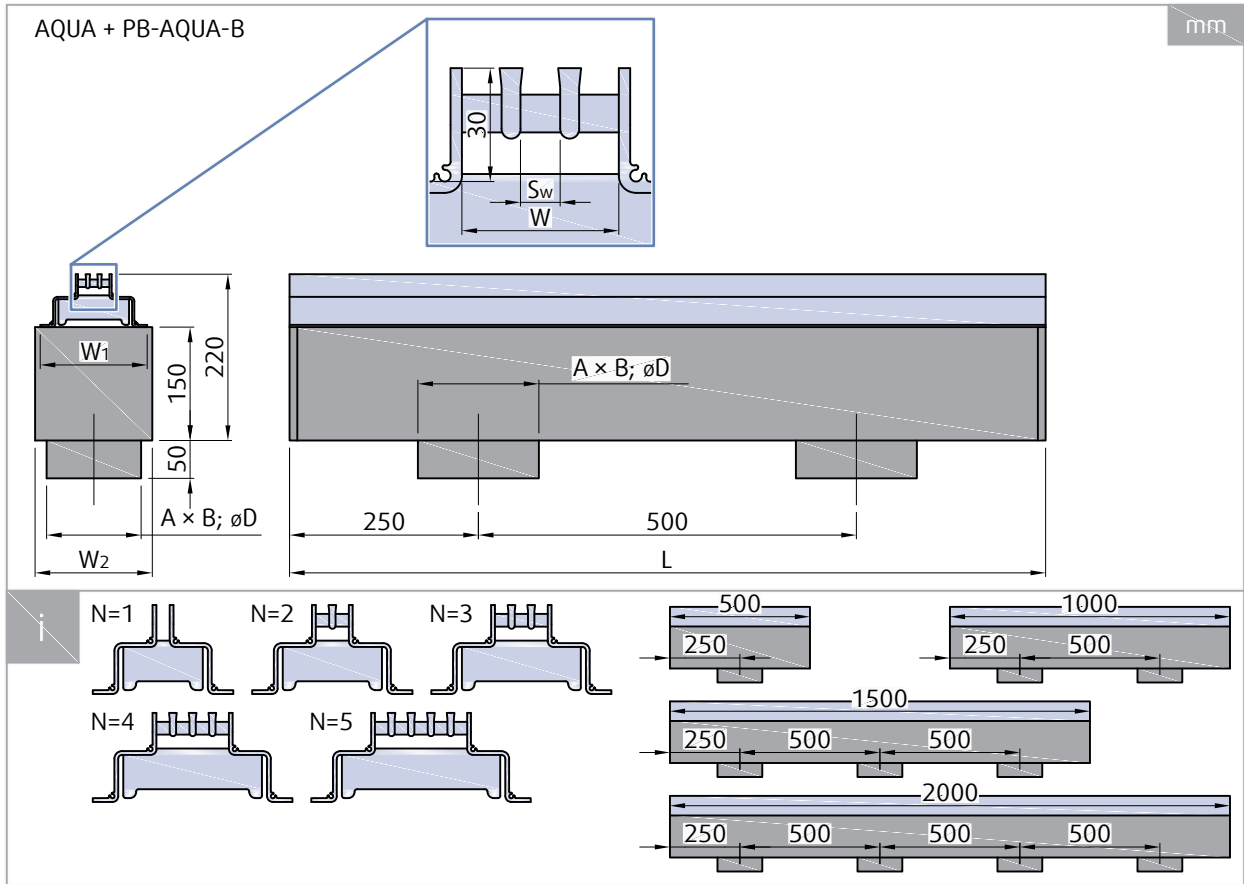
Product Parts



Legend

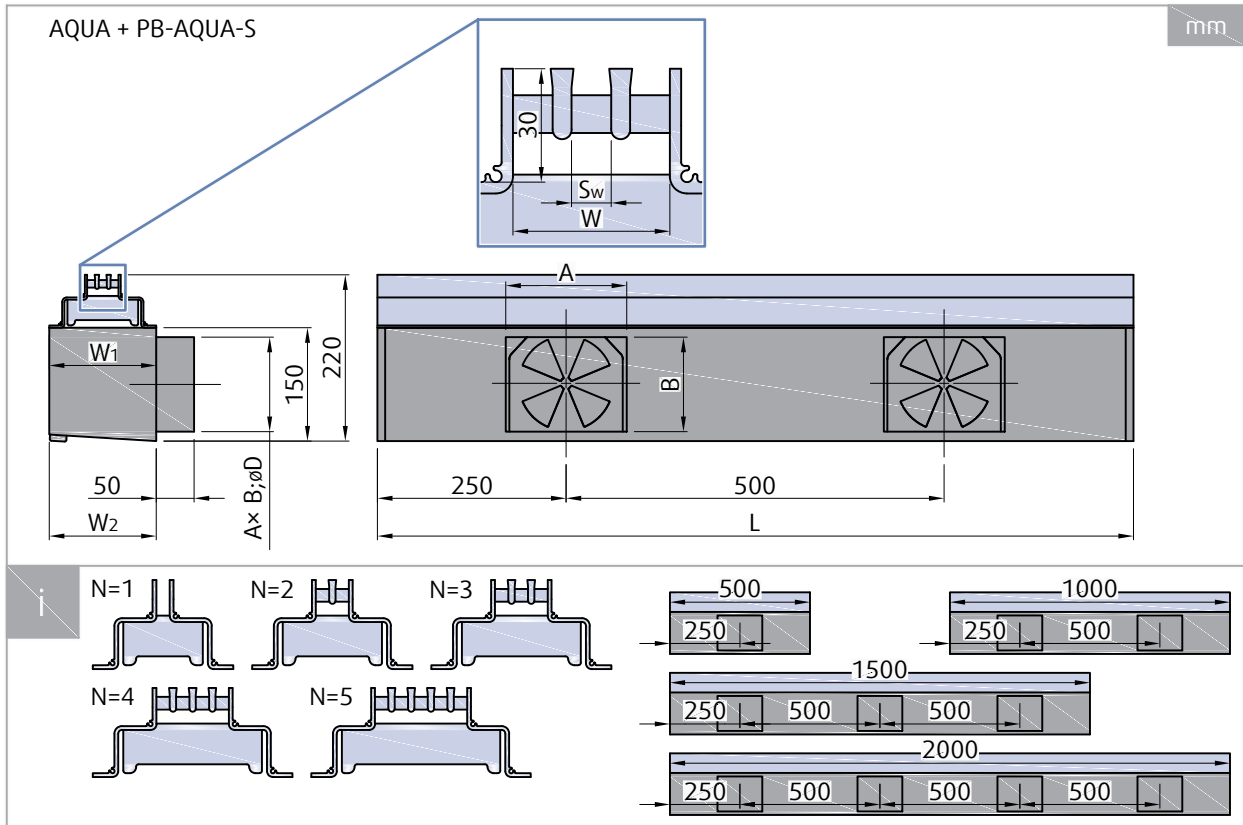
- 1 Console
- 2 CP-HELLA connection pins (accessory)
- 3 EC-AQUA end cap (accessory)
- 5 PB-AQUA plenum box (accessory)
- 6 LB-AQUA levelling bridge (accessory)
- 7 DN-AQUA drainage nipple (accessory)
- 8 DP-AQUA drainage plug (accessory)

Dimensions



| AQUA + PB-AQUA-B | L | N | Sw | W | W ₁ | W ₂ | A | B | øD |
|--------------------|------|---|----|----|----------------|----------------|-----|-----|-----|
| | mm | | mm | | | | | | |
| 500/1000/1500/2000 | 500 | 1 | - | 8 | 109 | 155 | - | - | 98 |
| | | | - | 10 | 111 | | | | |
| | | | - | 12 | 113 | | | | |
| | 1000 | 2 | 8 | 22 | 122 | 155 | - | - | 123 |
| | | | 10 | 26 | 126 | | | | |
| | | | 12 | 30 | 130 | | | | |
| | 1500 | 3 | 8 | 36 | 136 | 155 | 160 | 125 | - |
| | | | 10 | 42 | 142 | | | | |
| | | | 12 | 48 | 148 | | | | |
| | 2000 | 4 | 8 | 49 | 149 | 155 | 160 | 125 | - |
| | | | 10 | 57 | 157 | 157 | | | |
| | | | 12 | 65 | 165 | 165 | | | |
| | 2000 | 5 | 8 | 63 | 163 | 163 | 160 | 125 | - |
| | | | 10 | 73 | 173 | 173 | | | |
| | | | 12 | 83 | 183 | 183 | | | |

| AQUA + PB-AQUA-B | L | N | m |
|------------------|------|---|-----|
| | mm | | kg |
| 500 | 500 | 1 | 2,5 |
| | | 2 | 2,4 |
| | | 3 | 2,3 |
| | | 4 | 2,3 |
| | | 5 | 2,4 |
| 1000 | 1000 | 1 | 4,9 |
| | | 2 | 4,8 |
| | | 3 | 4,7 |
| | | 4 | 4,3 |
| | | 5 | 4,5 |
| 1500 | 1500 | 1 | 7,3 |
| | | 2 | 7 |
| | | 3 | 6,8 |
| | | 4 | 6,4 |
| | | 5 | 6,6 |
| 2000 | 2000 | 1 | 9,6 |
| | | 2 | 9,1 |
| | | 3 | 8,6 |
| | | 4 | 8,5 |
| | | 5 | 8,8 |



| L mm | N | Sw | W | W ₁ | W ₂ | A | B | øD | | |
|--------------------|----|----|-----|----------------|----------------|---|---|-----|-----|-----|
| | | mm | | | | | | | | |
| 500/1000/1500/2000 | 1 | - | 8 | 109 | 109 | - | - | 98 | | |
| | | - | 10 | 111 | 111 | | | | | |
| | | - | 12 | 113 | 113 | | | | | |
| | 2 | 8 | 22 | 122 | 122 | | | 160 | 125 | 123 |
| | | 10 | 26 | 126 | 126 | | | | | |
| | | 12 | 30 | 130 | 130 | | | | | |
| | 3 | 8 | 36 | 136 | 136 | - | - | | | - |
| | | 10 | 42 | 142 | 142 | | | | | |
| | | 12 | 48 | 148 | 148 | | | | | |
| | 4 | 8 | 49 | 149 | 149 | | | - | - | - |
| | | 10 | 57 | 157 | 157 | | | | | |
| | | 12 | 65 | 165 | 165 | | | | | |
| 5 | 8 | 63 | 163 | 163 | - | - | - | | | |
| | 10 | 73 | 173 | 173 | | | | | | |
| | 12 | 83 | 183 | 183 | | | | | | |

| L mm | N | m |
|---------|---|-----|
| | | kg |
| 500 | 1 | 2 |
| | 2 | 2,1 |
| | 3 | 2,2 |
| | 4 | 2,3 |
| | 5 | 2,4 |
| 1000 | 1 | 3,9 |
| | 2 | 4 |
| | 3 | 4,2 |
| | 4 | 4,3 |
| | 5 | 4,5 |
| 1500 | 1 | 5,8 |
| | 2 | 6 |
| | 3 | 6,2 |
| | 4 | 6,4 |
| | 5 | 6,6 |
| 2000 | 1 | 7,6 |
| | 2 | 7,9 |
| | 3 | 8,2 |
| | 4 | 8,5 |
| | 5 | 8,8 |

Ordering Codes

PB-AQUA

Duct connection orientation

- B Vertical, from bottom
- S Horizontal, from the side

Number of slots on corresponding diffuser (N)

- 1
- 2
- 3
- 4
- 5

Slot Width (mm)

- 8
- 10
- 12

Length (mm)

- 500
- 1000
- 1500
- 2000**

NOTE:

Plenum boxes PB-AQUA have for each 500 mm of their length one connection (horizontal or vertical). The connection shape and dimension is adapted to the number of diffuser slots.

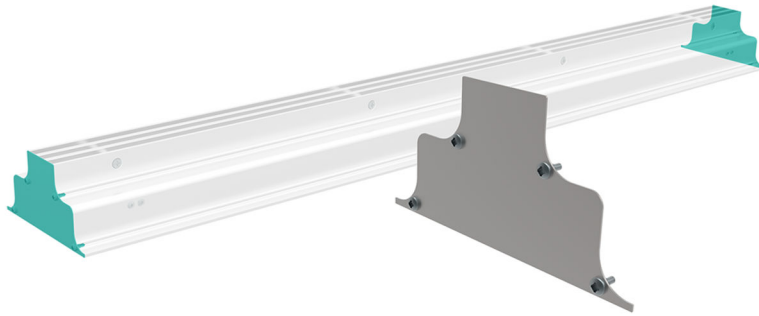
Example of the Ordering Code

PB-AQUA-S-4-10-1500

Plenum box for 4-slot diffuser with 10 mm slot width, 1500 mm length with horizontal side connection.

EC-AQUA

End Cap



Description

The end caps for AQUA diffusers are optional part of the frame that covers the ends of the console of a sole diffuser or both outermost ends of the multiple diffusers array. They avoid the fluid building materilas (concrete, mortar...) from intruding into the diffuser console during installation and floor finishing.

Design

EC-AQUA is made from anodized aluminium sheet. The end cap can be attached to the diffuser by screws, that are included in the package of EC-AQUA.

Ordering Codes

EC-AQUA

Number of slots (N)

1

2

3

4

5

Slot Width (mm)

8

10

12

Example of the Ordering Code

EC-AQUA-2-10

End cap for the AQUA diffuser with 2 slots of 10 mm width.

CP-HELLA

Connection Pin



Description

CP-HELLA is a connecting pin for joining neighbouring diffusers AQUA in an array.

Design

Circular profile pin from stainless steel. The pins are applied in the holes at the ends of the longitudinal frame profiles of the diffuser AQUA.

Ordering, Calculation

The quantity of CP-HELLA required to join multiple diffusers in an array: $p = 4 \cdot (n - 1)$

p = required quantity of CP-HELLA pins

n = number of AQUA diffusers in the array

The CP-HELLA connection pins can be ordered in the package unit of 50 pieces by the Item Number 141358.

LB-AQUA

Leveling bridge for diffuser AQUA and plenum box PB-AQUA

Article No. 247218



DN-AQUA

Drainage nipple for plenum box PB-AQUA, size $\varnothing 1/2''$

Article No. 247220



DP-AQUA

Drainage plug for plenum box PB-AQUA. Part of the delivery of PB-AQUA-S.

Article No. 247219



Quick Selection

Air flow volume q_v at different A-weighted sound power levels L_{WA}

| Item | 35 dB(A) | | 40 dB(A) | | 45 dB(A) | |
|--|-------------------|-----|-------------------|-----|-------------------|-----|
| | m ³ /h | l/s | m ³ /h | l/s | m ³ /h | l/s |
| AQUA-1-8-500 | 148 | 41 | 175 | 49 | 207 | 57 |
| AQUA-1-8-500 + PB-AQUA-S-1-8-500 / PB-AQUA-B-1-8-500 | 101 | 28 | 119 | 33 | 141 | 39 |
| AQUA-1-8-1000 | 295 | 82 | 350 | 97 | 413 | 115 |
| AQUA-1-8-1000 + PB-AQUA-S-1-8-1000 / PB-AQUA-B-1-8-1000 | 200 | 55 | 237 | 66 | 280 | 78 |
| AQUA-1-8-1500 | 443 | 123 | 525 | 146 | 620 | 172 |
| AQUA-1-8-1500 + PB-AQUA-S-1-8-1500 / PB-AQUA-B-1-8-1500 | 302 | 84 | 359 | 100 | 422 | 117 |
| AQUA-1-8-2000 | 590 | 164 | 701 | 195 | 827 | 230 |
| AQUA-1-8-2000 + PB-AQUA-S-1-8-2000 / PB-AQUA-B-1-8-2000 | 401 | 111 | 476 | 132 | 561 | 156 |
| AQUA-1-10-500 | 173 | 48 | 205 | 57 | 242 | 67 |
| AQUA-1-10-500 + PB-AQUA-S-1-10-500 / PB-AQUA-B-1-10-500 | 117 | 33 | 140 | 39 | 164 | 46 |
| AQUA-1-10-1000 | 345 | 96 | 410 | 114 | 484 | 134 |
| AQUA-1-10-1000 + PB-AQUA-S-1-10-1000 / PB-AQUA-B-1-10-1000 | 235 | 65 | 279 | 78 | 330 | 92 |
| AQUA-1-10-1500 | 517 | 144 | 615 | 171 | 725 | 202 |
| AQUA-1-10-1500 + PB-AQUA-S-1-10-1500 / PB-AQUA-B-1-10-1500 | 354 | 98 | 419 | 116 | 492 | 137 |
| AQUA-1-10-2000 | 690 | 192 | 820 | 228 | 967 | 269 |
| AQUA-1-10-2000 + PB-AQUA-S-1-10-2000 / PB-AQUA-B-1-10-2000 | 469 | 130 | 558 | 155 | 658 | 183 |
| AQUA-1-12-500 | 199 | 55 | 235 | 65 | 277 | 77 |
| AQUA-1-12-500 + PB-AQUA-S-1-12-500 / PB-AQUA-B-1-12-500 | 135 | 38 | 161 | 45 | 189 | 52 |
| AQUA-1-12-1000 | 397 | 110 | 470 | 131 | 553 | 154 |
| AQUA-1-12-1000 + PB-AQUA-S-1-12-1000 / PB-AQUA-B-1-12-1000 | 270 | 75 | 320 | 89 | 375 | 104 |
| AQUA-1-12-1500 | 595 | 165 | 706 | 196 | 829 | 230 |
| AQUA-1-12-1500 + PB-AQUA-S-1-12-1500 / PB-AQUA-B-1-12-1500 | 403 | 112 | 478 | 133 | 563 | 156 |
| AQUA-1-12-2000 | 794 | 220 | 941 | 261 | 1106 | 307 |
| AQUA-1-12-2000 + PB-AQUA-S-1-12-2000 / PB-AQUA-B-1-12-2000 | 538 | 149 | 638 | 177 | 752 | 209 |
| AQUA-2-8-500 | 207 | 58 | 249 | 69 | 297 | 83 |
| AQUA-2-8-500 + PB-AQUA-S-2-8-500 / PB-AQUA-B-2-8-500 | 141 | 39 | 170 | 47 | 203 | 56 |
| AQUA-2-8-1000 | 415 | 115 | 499 | 139 | 594 | 165 |
| AQUA-2-8-1000 + PB-AQUA-S-2-8-1000 / PB-AQUA-B-2-8-1000 | 282 | 78 | 339 | 94 | 404 | 112 |
| AQUA-2-8-1500 | 622 | 173 | 749 | 208 | 891 | 248 |
| AQUA-2-8-1500 + PB-AQUA-S-2-8-1500 / PB-AQUA-B-2-8-1500 | 423 | 117 | 509 | 141 | 606 | 168 |
| AQUA-2-8-2000 | 830 | 230 | 998 | 277 | 1188 | 330 |
| AQUA-2-8-2000 + PB-AQUA-S-2-8-2000 / PB-AQUA-B-2-8-2000 | 564 | 157 | 679 | 189 | 810 | 225 |
| AQUA-2-10-500 | 246 | 68 | 296 | 82 | 352 | 98 |
| AQUA-2-10-500 + PB-AQUA-S-2-10-500 / PB-AQUA-B-2-10-500 | 167 | 47 | 201 | 56 | 239 | 66 |
| AQUA-2-10-1000 | 493 | 137 | 593 | 165 | 704 | 195 |
| AQUA-2-10-1000 + PB-AQUA-S-2-10-1000 / PB-AQUA-B-2-10-1000 | 335 | 93 | 402 | 112 | 477 | 132 |
| AQUA-2-10-1500 | 739 | 205 | 889 | 247 | 1055 | 293 |

| | | | | | | |
|--|------|-----|------|-----|------|-----|
| AQUA-2-10-1500 + PB-AQUA-S-2-10-1500 / PB-AQUA-B-2-10-1500 | 502 | 139 | 603 | 168 | 716 | 199 |
| AQUA-2-10-2000 | 986 | 274 | 1185 | 329 | 1407 | 391 |
| AQUA-2-10-2000 + PB-AQUA-S-2-10-2000 / PB-AQUA-B-2-10-2000 | 670 | 186 | 806 | 224 | 958 | 266 |
| AQUA-2-12-500 | 290 | 81 | 348 | 97 | 412 | 114 |
| AQUA-2-12-500 + PB-AQUA-S-2-12-500 / PB-AQUA-B-2-12-500 | 198 | 55 | 237 | 66 | 280 | 78 |
| AQUA-2-12-1000 | 581 | 161 | 697 | 194 | 824 | 229 |
| AQUA-2-12-1000 + PB-AQUA-S-2-12-1000 / PB-AQUA-B-2-12-1000 | 395 | 110 | 473 | 132 | 561 | 156 |
| AQUA-2-12-1500 | 872 | 242 | 1045 | 290 | 1236 | 343 |
| AQUA-2-12-1500 + PB-AQUA-S-2-12-1500 / PB-AQUA-B-2-12-1500 | 594 | 165 | 712 | 198 | 842 | 234 |
| AQUA-2-12-2000 | 1163 | 323 | 1393 | 387 | 1648 | 458 |
| AQUA-2-12-2000 + PB-AQUA-S-2-12-2000 / PB-AQUA-B-2-12-2000 | 791 | 220 | 947 | 263 | 1118 | 311 |
| AQUA-3-8-500 | 285 | 79 | 333 | 93 | 384 | 107 |
| AQUA-3-8-500 + PB-AQUA-S-3-8-500 / PB-AQUA-B-3-8-500 | 162 | 45 | 189 | 53 | 218 | 61 |
| AQUA-3-8-1000 | 571 | 158 | 667 | 185 | 768 | 213 |
| AQUA-3-8-1000 + PB-AQUA-S-3-8-1000 / PB-AQUA-B-3-8-1000 | 324 | 90 | 379 | 105 | 437 | 121 |
| AQUA-3-8-1500 | 856 | 238 | 1001 | 278 | 1152 | 320 |
| AQUA-3-8-1500 + PB-AQUA-S-3-8-1500 / PB-AQUA-B-3-8-1500 | 488 | 136 | 571 | 159 | 658 | 183 |
| AQUA-3-8-2000 | 1141 | 317 | 1334 | 371 | 1537 | 427 |
| AQUA-3-8-2000 + PB-AQUA-S-3-8-2000 / PB-AQUA-B-3-8-2000 | 652 | 181 | 763 | 212 | 878 | 244 |
| AQUA-3-10-500 | 342 | 95 | 406 | 113 | 475 | 132 |
| AQUA-3-10-500 + PB-AQUA-S-3-10-500 / PB-AQUA-B-3-10-500 | 194 | 54 | 231 | 64 | 270 | 75 |
| AQUA-3-10-1000 | 684 | 190 | 813 | 226 | 950 | 264 |
| AQUA-3-10-1000 + PB-AQUA-S-3-10-1000 / PB-AQUA-B-3-10-1000 | 390 | 108 | 463 | 129 | 542 | 150 |
| AQUA-3-10-1500 | 1026 | 285 | 1218 | 338 | 1424 | 396 |
| AQUA-3-10-1500 + PB-AQUA-S-3-10-1500 / PB-AQUA-B-3-10-1500 | 586 | 163 | 695 | 193 | 813 | 226 |
| AQUA-3-10-2000 | 1368 | 380 | 1624 | 451 | 1899 | 527 |
| AQUA-3-10-2000 + PB-AQUA-S-3-10-2000 / PB-AQUA-B-3-10-2000 | 781 | 217 | 928 | 258 | 1084 | 301 |
| AQUA-3-12-500 | 413 | 115 | 500 | 139 | 593 | 165 |
| AQUA-3-12-500 + PB-AQUA-S-3-12-500 / PB-AQUA-B-3-12-500 | 236 | 66 | 285 | 79 | 338 | 94 |
| AQUA-3-12-1000 | 826 | 230 | 1001 | 278 | 1187 | 330 |
| AQUA-3-12-1000 + PB-AQUA-S-3-12-1000 / PB-AQUA-B-3-12-1000 | 472 | 131 | 572 | 159 | 679 | 189 |
| AQUA-3-12-1500 | 1239 | 344 | 1501 | 417 | 1781 | 495 |
| AQUA-3-12-1500 + PB-AQUA-S-3-12-1500 / PB-AQUA-B-3-12-1500 | 706 | 196 | 856 | 238 | 1017 | 283 |
| AQUA-3-12-2000 | 1653 | 459 | 2001 | 556 | 2374 | 659 |
| AQUA-3-12-2000 + PB-AQUA-S-3-12-2000 / PB-AQUA-B-3-12-2000 | 942 | 262 | 1142 | 317 | 1354 | 376 |
| AQUA-4-8-500 | 367 | 102 | 434 | 120 | 504 | 140 |
| AQUA-4-8-500 + PB-AQUA-S-4-8-500 / PB-AQUA-B-4-8-500 | 197 | 55 | 235 | 65 | 275 | 76 |
| AQUA-4-8-1000 | 734 | 204 | 868 | 241 | 1008 | 280 |
| AQUA-4-8-1000 + PB-AQUA-S-4-8-1000 / PB-AQUA-B-4-8-1000 | 393 | 109 | 469 | 130 | 549 | 152 |
| AQUA-4-8-1500 | 1102 | 306 | 1302 | 362 | 1512 | 420 |
| AQUA-4-8-1500 + PB-AQUA-S-4-8-1500 / PB-AQUA-B-4-8-1500 | 591 | 164 | 703 | 195 | 822 | 228 |

| | | | | | | |
|--|------|-----|------|-----|------|------|
| AQUA-4-8-2000 | 1469 | 408 | 1735 | 482 | 2016 | 560 |
| AQUA-4-8-2000 + PB-AQUA-S-4-8-2000 / PB-AQUA-B-4-8-2000 | 789 | 219 | 940 | 261 | 1098 | 305 |
| AQUA-4-10-500 | 449 | 125 | 532 | 148 | 621 | 172 |
| AQUA-4-10-500 + PB-AQUA-S-4-10-500 / PB-AQUA-B-4-10-500 | 238 | 66 | 282 | 78 | 328 | 91 |
| AQUA-4-10-1000 | 897 | 249 | 1063 | 295 | 1242 | 345 |
| AQUA-4-10-1000 + PB-AQUA-S-4-10-1000 / PB-AQUA-B-4-10-1000 | 475 | 132 | 562 | 156 | 655 | 182 |
| AQUA-4-10-1500 | 1346 | 374 | 1595 | 443 | 1862 | 517 |
| AQUA-4-10-1500 + PB-AQUA-S-4-10-1500 / PB-AQUA-B-4-10-1500 | 713 | 198 | 844 | 234 | 985 | 274 |
| AQUA-4-10-2000 | 1795 | 499 | 2127 | 591 | 2484 | 690 |
| AQUA-4-10-2000 + PB-AQUA-S-4-10-2000 / PB-AQUA-B-4-10-2000 | 947 | 263 | 1123 | 312 | 1310 | 364 |
| AQUA-4-12-500 | 541 | 150 | 645 | 179 | 757 | 210 |
| AQUA-4-12-500 + PB-AQUA-S-4-12-500 / PB-AQUA-B-4-12-500 | 278 | 77 | 329 | 91 | 383 | 106 |
| AQUA-4-12-1000 | 1081 | 300 | 1290 | 358 | 1514 | 421 |
| AQUA-4-12-1000 + PB-AQUA-S-4-12-1000 / PB-AQUA-B-4-12-1000 | 557 | 155 | 658 | 183 | 766 | 213 |
| AQUA-4-12-1500 | 1622 | 451 | 1935 | 538 | 2271 | 631 |
| AQUA-4-12-1500 + PB-AQUA-S-4-12-1500 / PB-AQUA-B-4-12-1500 | 833 | 232 | 986 | 274 | 1149 | 319 |
| AQUA-4-12-2000 | 2162 | 601 | 2579 | 717 | 3028 | 841 |
| AQUA-4-12-2000 + PB-AQUA-S-4-12-2000 / PB-AQUA-B-4-12-2000 | 1114 | 310 | 1317 | 366 | 1534 | 426 |
| AQUA-5-8-500 | 477 | 132 | 568 | 158 | 664 | 184 |
| AQUA-5-8-500 + PB-AQUA-S-5-8-500 / PB-AQUA-B-5-8-500 | 209 | 58 | 247 | 69 | 287 | 80 |
| AQUA-5-8-1000 | 954 | 265 | 1136 | 316 | 1327 | 369 |
| AQUA-5-8-1000 + PB-AQUA-S-5-8-1000 / PB-AQUA-B-5-8-1000 | 418 | 116 | 494 | 137 | 575 | 160 |
| AQUA-5-8-1500 | 1430 | 397 | 1704 | 473 | 1991 | 553 |
| AQUA-5-8-1500 + PB-AQUA-S-5-8-1500 / PB-AQUA-B-5-8-1500 | 626 | 174 | 739 | 205 | 859 | 239 |
| AQUA-5-8-2000 | 1908 | 530 | 2272 | 631 | 2655 | 737 |
| AQUA-5-8-2000 + PB-AQUA-S-5-8-2000 / PB-AQUA-B-5-8-2000 | 838 | 233 | 991 | 275 | 1151 | 320 |
| AQUA-5-10-500 | 575 | 160 | 681 | 189 | 794 | 220 |
| AQUA-5-10-500 + PB-AQUA-S-5-10-500 / PB-AQUA-B-5-10-500 | 255 | 71 | 303 | 84 | 354 | 98 |
| AQUA-5-10-1000 | 1151 | 320 | 1362 | 378 | 1587 | 441 |
| AQUA-5-10-1000 + PB-AQUA-S-5-10-1000 / PB-AQUA-B-5-10-1000 | 513 | 143 | 608 | 169 | 710 | 197 |
| AQUA-5-10-1500 | 1726 | 479 | 2043 | 567 | 2382 | 662 |
| AQUA-5-10-1500 + PB-AQUA-S-5-10-1500 / PB-AQUA-B-5-10-1500 | 767 | 213 | 910 | 253 | 1062 | 295 |
| AQUA-5-10-2000 | 2301 | 639 | 2724 | 757 | 3176 | 882 |
| AQUA-5-10-2000 + PB-AQUA-S-5-10-2000 / PB-AQUA-B-5-10-2000 | 1024 | 284 | 1213 | 337 | 1418 | 394 |
| AQUA-5-12-500 | 673 | 187 | 796 | 221 | 926 | 257 |
| AQUA-5-12-500 + PB-AQUA-S-5-12-500 / PB-AQUA-B-5-12-500 | 310 | 86 | 369 | 102 | 433 | 120 |
| AQUA-5-12-1000 | 1346 | 374 | 1590 | 442 | 1853 | 515 |
| AQUA-5-12-1000 + PB-AQUA-S-5-12-1000 / PB-AQUA-B-5-12-1000 | 619 | 172 | 737 | 205 | 864 | 240 |
| AQUA-5-12-1500 | 2019 | 561 | 2386 | 663 | 2779 | 772 |
| AQUA-5-12-1500 + PB-AQUA-S-5-12-1500 / PB-AQUA-B-5-12-1500 | 925 | 257 | 1104 | 307 | 1296 | 360 |
| AQUA-5-12-2000 | 2691 | 748 | 3181 | 884 | 3706 | 1029 |

| | | | | | | |
|--|------|-----|------|-----|------|-----|
| AQUA-5-12-2000 + PB-AQUA-S-5-12-2000 / PB-AQUA-B-5-12-2000 | 1231 | 342 | 1468 | 408 | 1724 | 479 |
|--|------|-----|------|-----|------|-----|

NOTE: The working points were measured with open adjustment damper.

Air flow volume q_v at different A-weighted sound pressure levels L_{pA} with 10m² absorption area

| Item | 30 dB(A) | | 35 dB(A) | | 40 dB(A) | |
|--|-------------------|-----|-------------------|-----|-------------------|-----|
| | m ³ /h | l/s | m ³ /h | l/s | m ³ /h | l/s |
| AQUA-1-8-500 | 142 | 40 | 170 | 47 | 200 | 56 |
| AQUA-1-8-500 + PB-AQUA-S-1-8-500 / PB-AQUA-B-1-8-500 | 97 | 27 | 116 | 32 | 137 | 38 |
| AQUA-1-8-1000 | 285 | 79 | 339 | 94 | 400 | 111 |
| AQUA-1-8-1000 + PB-AQUA-S-1-8-1000 / PB-AQUA-B-1-8-1000 | 193 | 54 | 229 | 64 | 271 | 75 |
| AQUA-1-8-1500 | 427 | 119 | 508 | 141 | 600 | 167 |
| AQUA-1-8-1500 + PB-AQUA-S-1-8-1500 / PB-AQUA-B-1-8-1500 | 291 | 81 | 346 | 96 | 409 | 114 |
| AQUA-1-8-2000 | 569 | 158 | 677 | 188 | 800 | 222 |
| AQUA-1-8-2000 + PB-AQUA-S-1-8-2000 / PB-AQUA-B-1-8-2000 | 387 | 107 | 460 | 128 | 543 | 151 |
| AQUA-1-10-500 | 167 | 46 | 198 | 55 | 234 | 65 |
| AQUA-1-10-500 + PB-AQUA-S-1-10-500 / PB-AQUA-B-1-10-500 | 113 | 31 | 135 | 38 | 159 | 44 |
| AQUA-1-10-1000 | 333 | 92 | 396 | 110 | 468 | 130 |
| AQUA-1-10-1000 + PB-AQUA-S-1-10-1000 / PB-AQUA-B-1-10-1000 | 227 | 63 | 270 | 75 | 319 | 89 |
| AQUA-1-10-1500 | 499 | 139 | 594 | 165 | 702 | 195 |
| AQUA-1-10-1500 + PB-AQUA-S-1-10-1500 / PB-AQUA-B-1-10-1500 | 341 | 95 | 405 | 112 | 477 | 132 |
| AQUA-1-10-2000 | 666 | 185 | 792 | 220 | 936 | 260 |
| AQUA-1-10-2000 + PB-AQUA-S-1-10-2000 / PB-AQUA-B-1-10-2000 | 453 | 126 | 539 | 150 | 637 | 177 |
| AQUA-1-12-500 | 191 | 53 | 227 | 63 | 268 | 74 |
| AQUA-1-12-500 + PB-AQUA-S-1-12-500 / PB-AQUA-B-1-12-500 | 131 | 36 | 155 | 43 | 183 | 51 |
| AQUA-1-12-1000 | 383 | 106 | 455 | 126 | 536 | 149 |
| AQUA-1-12-1000 + PB-AQUA-S-1-12-1000 / PB-AQUA-B-1-12-1000 | 261 | 72 | 309 | 86 | 364 | 101 |
| AQUA-1-12-1500 | 575 | 160 | 683 | 190 | 804 | 223 |
| AQUA-1-12-1500 + PB-AQUA-S-1-12-1500 / PB-AQUA-B-1-12-1500 | 389 | 108 | 462 | 128 | 545 | 151 |
| AQUA-1-12-2000 | 766 | 213 | 911 | 253 | 1072 | 298 |
| AQUA-1-12-2000 + PB-AQUA-S-1-12-2000 / PB-AQUA-B-1-12-2000 | 518 | 144 | 617 | 171 | 729 | 202 |
| AQUA-2-8-500 | 200 | 55 | 241 | 67 | 287 | 80 |
| AQUA-2-8-500 + PB-AQUA-S-2-8-500 / PB-AQUA-B-2-8-500 | 136 | 38 | 164 | 46 | 196 | 54 |
| AQUA-2-8-1000 | 399 | 111 | 481 | 134 | 575 | 160 |
| AQUA-2-8-1000 + PB-AQUA-S-2-8-1000 / PB-AQUA-B-2-8-1000 | 271 | 75 | 327 | 91 | 390 | 108 |
| AQUA-2-8-1500 | 598 | 166 | 722 | 201 | 862 | 239 |
| AQUA-2-8-1500 + PB-AQUA-S-2-8-1500 / PB-AQUA-B-2-8-1500 | 407 | 113 | 491 | 136 | 585 | 163 |
| AQUA-2-8-2000 | 798 | 222 | 963 | 267 | 1148 | 319 |
| AQUA-2-8-2000 + PB-AQUA-S-2-8-2000 / PB-AQUA-B-2-8-2000 | 542 | 151 | 655 | 182 | 783 | 217 |
| AQUA-2-10-500 | 237 | 66 | 286 | 79 | 340 | 95 |
| AQUA-2-10-500 + PB-AQUA-S-2-10-500 / PB-AQUA-B-2-10-500 | 161 | 45 | 194 | 54 | 231 | 64 |
| AQUA-2-10-1000 | 474 | 132 | 572 | 159 | 681 | 189 |
| AQUA-2-10-1000 + PB-AQUA-S-2-10-1000 / PB-AQUA-B-2-10-1000 | 322 | 89 | 388 | 108 | 461 | 128 |
| AQUA-2-10-1500 | 711 | 197 | 857 | 238 | 1020 | 283 |
| AQUA-2-10-1500 + PB-AQUA-S-2-10-1500 / PB-AQUA-B-2-10-1500 | 483 | 134 | 582 | 162 | 692 | 192 |
| AQUA-2-10-2000 | 948 | 263 | 1144 | 318 | 1361 | 378 |

| | | | | | | |
|--|------|-----|------|-----|------|-----|
| AQUA-2-10-2000 + PB-AQUA-S-2-10-2000 / PB-AQUA-B-2-10-2000 | 645 | 179 | 778 | 216 | 927 | 257 |
| AQUA-2-12-500 | 279 | 78 | 337 | 93 | 399 | 111 |
| AQUA-2-12-500 + PB-AQUA-S-2-12-500 / PB-AQUA-B-2-12-500 | 190 | 53 | 229 | 64 | 270 | 75 |
| AQUA-2-12-1000 | 559 | 155 | 673 | 187 | 797 | 221 |
| AQUA-2-12-1000 + PB-AQUA-S-2-12-1000 / PB-AQUA-B-2-12-1000 | 380 | 105 | 457 | 127 | 542 | 151 |
| AQUA-2-12-1500 | 839 | 233 | 1009 | 280 | 1196 | 332 |
| AQUA-2-12-1500 + PB-AQUA-S-2-12-1500 / PB-AQUA-B-2-12-1500 | 571 | 159 | 687 | 191 | 815 | 226 |
| AQUA-2-12-2000 | 1119 | 311 | 1346 | 374 | 1595 | 443 |
| AQUA-2-12-2000 + PB-AQUA-S-2-12-2000 / PB-AQUA-B-2-12-2000 | 761 | 211 | 915 | 254 | 1083 | 301 |
| AQUA-3-8-500 | 276 | 77 | 324 | 90 | 373 | 104 |
| AQUA-3-8-500 + PB-AQUA-S-3-8-500 / PB-AQUA-B-3-8-500 | 157 | 44 | 184 | 51 | 213 | 59 |
| AQUA-3-8-1000 | 551 | 153 | 648 | 180 | 747 | 208 |
| AQUA-3-8-1000 + PB-AQUA-S-3-8-1000 / PB-AQUA-B-3-8-1000 | 313 | 87 | 368 | 102 | 425 | 118 |
| AQUA-3-8-1500 | 827 | 230 | 971 | 270 | 1121 | 311 |
| AQUA-3-8-1500 + PB-AQUA-S-3-8-1500 / PB-AQUA-B-3-8-1500 | 472 | 131 | 555 | 154 | 640 | 178 |
| AQUA-3-8-2000 | 1102 | 306 | 1295 | 360 | 1495 | 415 |
| AQUA-3-8-2000 + PB-AQUA-S-3-8-2000 / PB-AQUA-B-3-8-2000 | 630 | 175 | 740 | 206 | 854 | 237 |
| AQUA-3-10-500 | 329 | 91 | 393 | 109 | 460 | 128 |
| AQUA-3-10-500 + PB-AQUA-S-3-10-500 / PB-AQUA-B-3-10-500 | 187 | 52 | 223 | 62 | 262 | 73 |
| AQUA-3-10-1000 | 659 | 183 | 786 | 218 | 921 | 256 |
| AQUA-3-10-1000 + PB-AQUA-S-3-10-1000 / PB-AQUA-B-3-10-1000 | 376 | 104 | 448 | 125 | 526 | 146 |
| AQUA-3-10-1500 | 988 | 275 | 1179 | 327 | 1382 | 384 |
| AQUA-3-10-1500 + PB-AQUA-S-3-10-1500 / PB-AQUA-B-3-10-1500 | 564 | 157 | 673 | 187 | 789 | 219 |
| AQUA-3-10-2000 | 1318 | 366 | 1572 | 437 | 1842 | 512 |
| AQUA-3-10-2000 + PB-AQUA-S-3-10-2000 / PB-AQUA-B-3-10-2000 | 753 | 209 | 897 | 249 | 1052 | 292 |
| AQUA-3-12-500 | 396 | 110 | 483 | 134 | 574 | 160 |
| AQUA-3-12-500 + PB-AQUA-S-3-12-500 / PB-AQUA-B-3-12-500 | 226 | 63 | 275 | 76 | 327 | 91 |
| AQUA-3-12-1000 | 792 | 220 | 965 | 268 | 1149 | 319 |
| AQUA-3-12-1000 + PB-AQUA-S-3-12-1000 / PB-AQUA-B-3-12-1000 | 453 | 126 | 552 | 153 | 657 | 182 |
| AQUA-3-12-1500 | 1189 | 330 | 1448 | 402 | 1723 | 479 |
| AQUA-3-12-1500 + PB-AQUA-S-3-12-1500 / PB-AQUA-B-3-12-1500 | 677 | 188 | 826 | 229 | 984 | 273 |
| AQUA-3-12-2000 | 1584 | 440 | 1930 | 536 | 2297 | 638 |
| AQUA-3-12-2000 + PB-AQUA-S-3-12-2000 / PB-AQUA-B-3-12-2000 | 903 | 251 | 1101 | 306 | 1310 | 364 |
| AQUA-4-8-500 | 354 | 98 | 421 | 117 | 489 | 136 |
| AQUA-4-8-500 + PB-AQUA-S-4-8-500 / PB-AQUA-B-4-8-500 | 189 | 53 | 227 | 63 | 266 | 74 |
| AQUA-4-8-1000 | 708 | 197 | 841 | 234 | 979 | 272 |
| AQUA-4-8-1000 + PB-AQUA-S-4-8-1000 / PB-AQUA-B-4-8-1000 | 379 | 105 | 454 | 126 | 532 | 148 |
| AQUA-4-8-1500 | 1062 | 295 | 1261 | 350 | 1468 | 408 |
| AQUA-4-8-1500 + PB-AQUA-S-4-8-1500 / PB-AQUA-B-4-8-1500 | 569 | 158 | 681 | 189 | 797 | 221 |
| AQUA-4-8-2000 | 1416 | 393 | 1682 | 467 | 1958 | 544 |
| AQUA-4-8-2000 + PB-AQUA-S-4-8-2000 / PB-AQUA-B-4-8-2000 | 759 | 211 | 910 | 253 | 1066 | 296 |

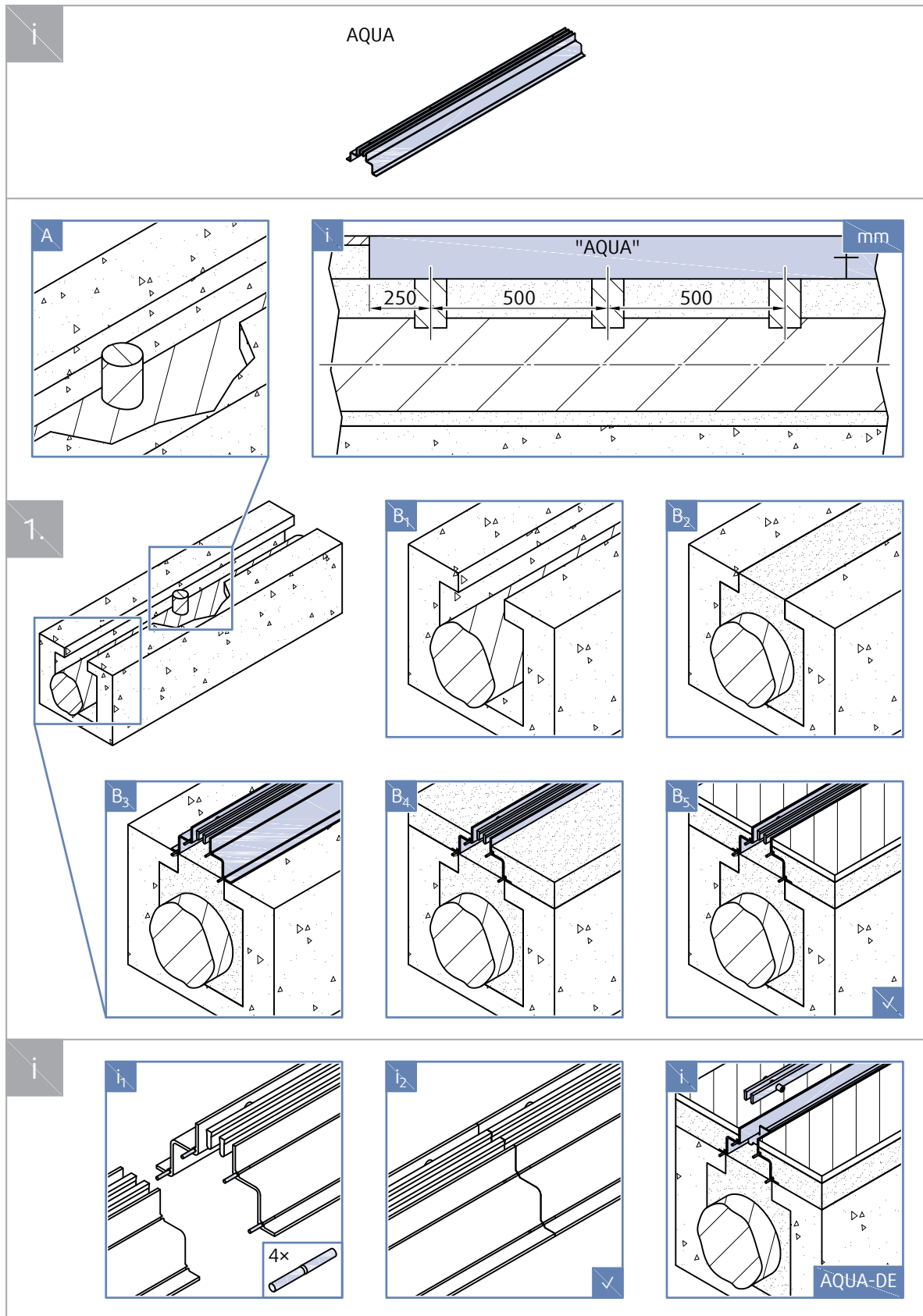
| | | | | | | |
|--|------|-----|------|-----|------|-----|
| AQUA-4-10-500 | 433 | 120 | 515 | 143 | 603 | 167 |
| AQUA-4-10-500 + PB-AQUA-S-4-10-500 / PB-AQUA-B-4-10-500 | 229 | 64 | 273 | 76 | 318 | 88 |
| AQUA-4-10-1000 | 865 | 240 | 1030 | 286 | 1205 | 335 |
| AQUA-4-10-1000 + PB-AQUA-S-4-10-1000 / PB-AQUA-B-4-10-1000 | 457 | 127 | 544 | 151 | 635 | 177 |
| AQUA-4-10-1500 | 1298 | 360 | 1544 | 429 | 1808 | 502 |
| AQUA-4-10-1500 + PB-AQUA-S-4-10-1500 / PB-AQUA-B-4-10-1500 | 688 | 191 | 818 | 227 | 956 | 266 |
| AQUA-4-10-2000 | 1730 | 481 | 2059 | 572 | 2409 | 669 |
| AQUA-4-10-2000 + PB-AQUA-S-4-10-2000 / PB-AQUA-B-4-10-2000 | 913 | 254 | 1087 | 302 | 1272 | 353 |
| AQUA-4-12-500 | 520 | 145 | 623 | 173 | 734 | 204 |
| AQUA-4-12-500 + PB-AQUA-S-4-12-500 / PB-AQUA-B-4-12-500 | 267 | 74 | 318 | 88 | 371 | 103 |
| AQUA-4-12-1000 | 1041 | 289 | 1247 | 346 | 1468 | 408 |
| AQUA-4-12-1000 + PB-AQUA-S-4-12-1000 / PB-AQUA-B-4-12-1000 | 538 | 149 | 638 | 177 | 744 | 207 |
| AQUA-4-12-1500 | 1561 | 433 | 1871 | 520 | 2201 | 611 |
| AQUA-4-12-1500 + PB-AQUA-S-4-12-1500 / PB-AQUA-B-4-12-1500 | 804 | 223 | 954 | 265 | 1115 | 310 |
| AQUA-4-12-2000 | 2081 | 578 | 2494 | 693 | 2935 | 815 |
| AQUA-4-12-2000 + PB-AQUA-S-4-12-2000 / PB-AQUA-B-4-12-2000 | 1075 | 299 | 1276 | 354 | 1489 | 414 |
| AQUA-5-8-500 | 459 | 128 | 549 | 153 | 644 | 179 |
| AQUA-5-8-500 + PB-AQUA-S-5-8-500 / PB-AQUA-B-5-8-500 | 202 | 56 | 239 | 66 | 279 | 77 |
| AQUA-5-8-1000 | 918 | 255 | 1099 | 305 | 1288 | 358 |
| AQUA-5-8-1000 + PB-AQUA-S-5-8-1000 / PB-AQUA-B-5-8-1000 | 403 | 112 | 479 | 133 | 558 | 155 |
| AQUA-5-8-1500 | 1376 | 382 | 1649 | 458 | 1933 | 537 |
| AQUA-5-8-1500 + PB-AQUA-S-5-8-1500 / PB-AQUA-B-5-8-1500 | 603 | 167 | 716 | 199 | 835 | 232 |
| AQUA-5-8-2000 | 1835 | 510 | 2199 | 611 | 2576 | 716 |
| AQUA-5-8-2000 + PB-AQUA-S-5-8-2000 / PB-AQUA-B-5-8-2000 | 808 | 224 | 960 | 267 | 1118 | 311 |
| AQUA-5-10-500 | 555 | 154 | 660 | 183 | 771 | 214 |
| AQUA-5-10-500 + PB-AQUA-S-5-10-500 / PB-AQUA-B-5-10-500 | 246 | 68 | 293 | 81 | 343 | 95 |
| AQUA-5-10-1000 | 1109 | 308 | 1319 | 366 | 1541 | 428 |
| AQUA-5-10-1000 + PB-AQUA-S-5-10-1000 / PB-AQUA-B-5-10-1000 | 494 | 137 | 588 | 163 | 689 | 191 |
| AQUA-5-10-1500 | 1664 | 462 | 1978 | 550 | 2312 | 642 |
| AQUA-5-10-1500 + PB-AQUA-S-5-10-1500 / PB-AQUA-B-5-10-1500 | 740 | 205 | 880 | 245 | 1031 | 286 |
| AQUA-5-10-2000 | 2218 | 616 | 2638 | 733 | 3082 | 856 |
| AQUA-5-10-2000 + PB-AQUA-S-5-10-2000 / PB-AQUA-B-5-10-2000 | 986 | 274 | 1175 | 326 | 1375 | 382 |
| AQUA-5-12-500 | 649 | 180 | 771 | 214 | 900 | 250 |
| AQUA-5-12-500 + PB-AQUA-S-5-12-500 / PB-AQUA-B-5-12-500 | 298 | 83 | 357 | 99 | 420 | 117 |
| AQUA-5-12-1000 | 1298 | 361 | 1540 | 428 | 1799 | 500 |
| AQUA-5-12-1000 + PB-AQUA-S-5-12-1000 / PB-AQUA-B-5-12-1000 | 596 | 165 | 713 | 198 | 839 | 233 |
| AQUA-5-12-1500 | 1947 | 541 | 2311 | 642 | 2698 | 749 |
| AQUA-5-12-1500 + PB-AQUA-S-5-12-1500 / PB-AQUA-B-5-12-1500 | 891 | 247 | 1068 | 297 | 1256 | 349 |
| AQUA-5-12-2000 | 2596 | 721 | 3081 | 856 | 3597 | 999 |
| AQUA-5-12-2000 + PB-AQUA-S-5-12-2000 / PB-AQUA-B-5-12-2000 | 1184 | 329 | 1419 | 394 | 1671 | 464 |

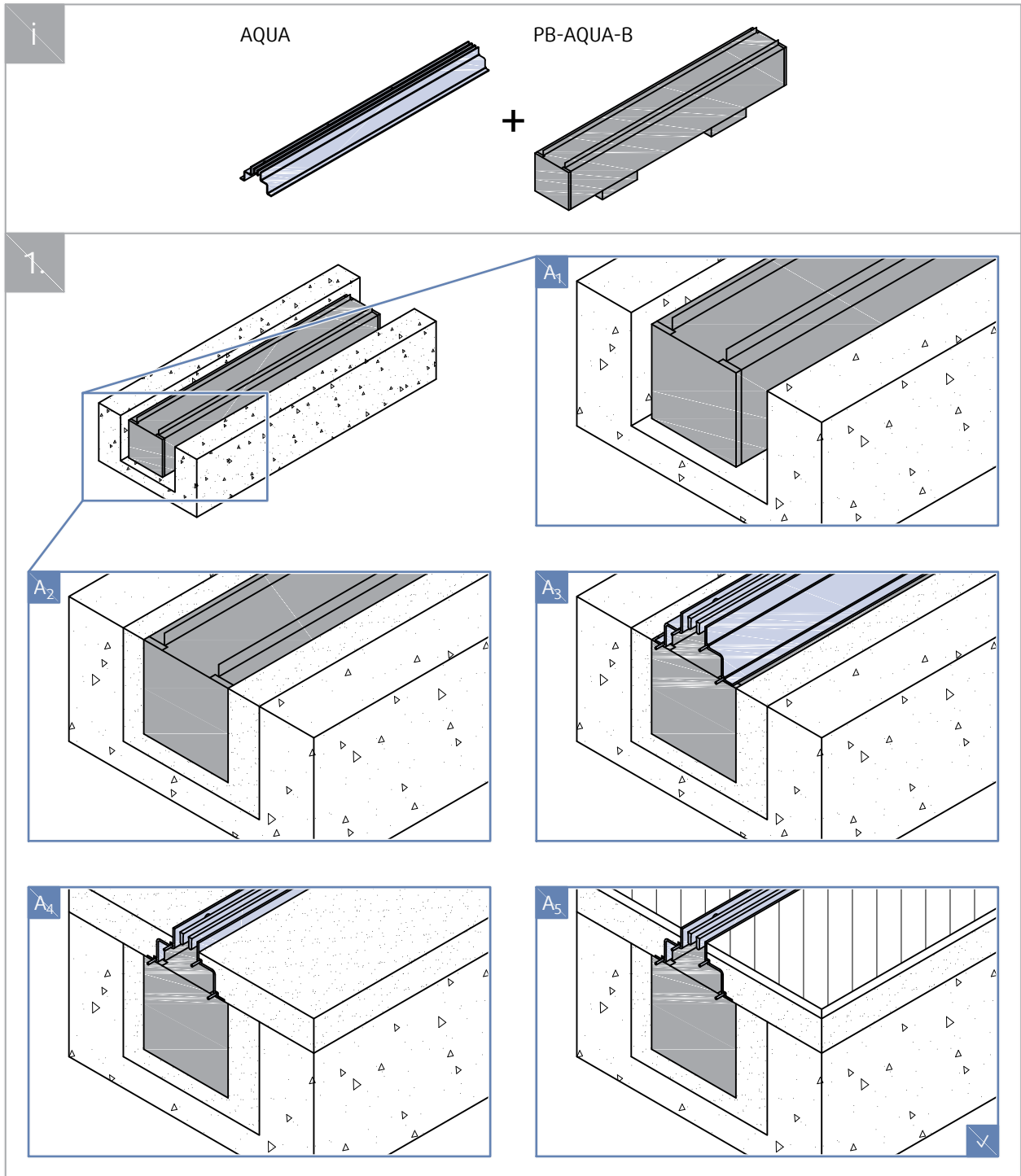
NOTE: The working points were measured with open adjustment damper.

Technical Parameters

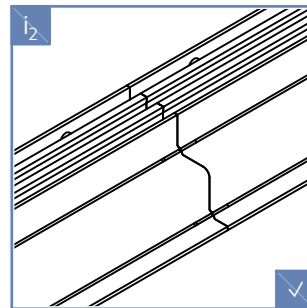
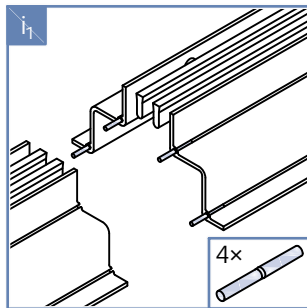
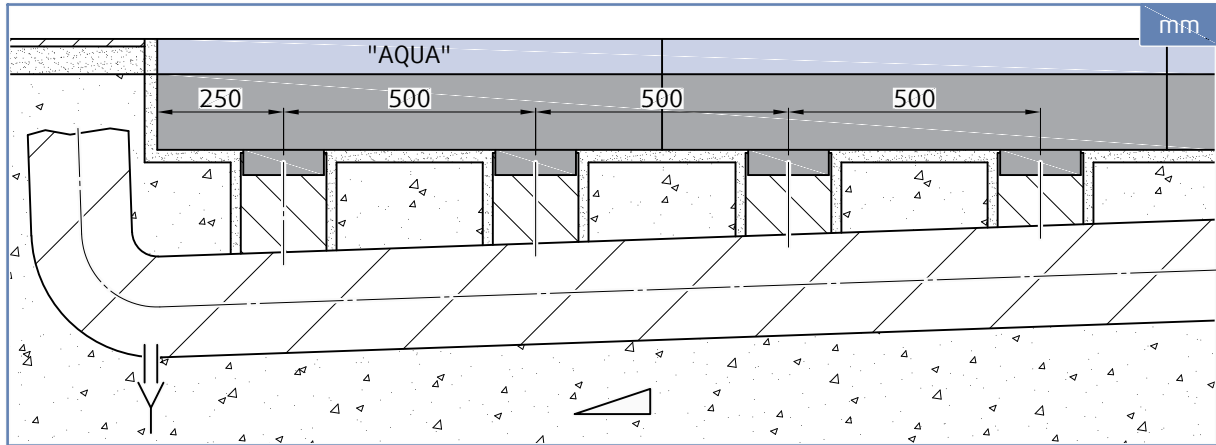
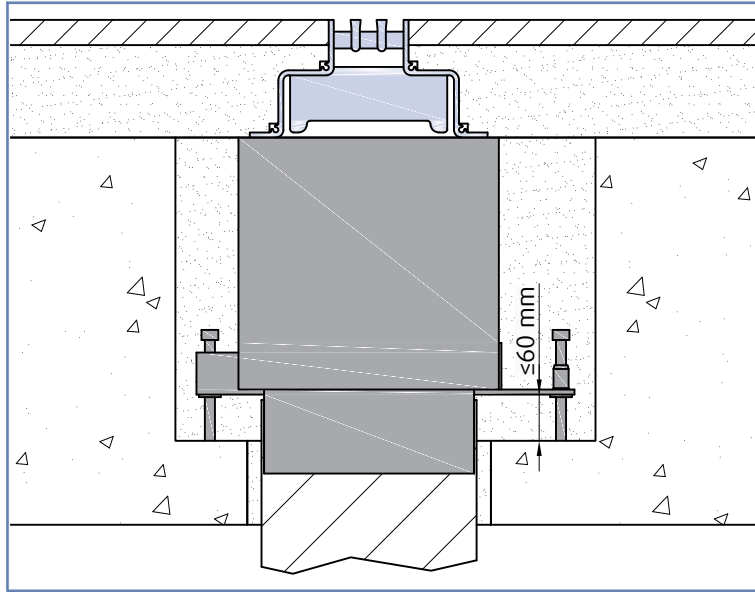
Diagrams and technical parameters are available at design.systemair.com

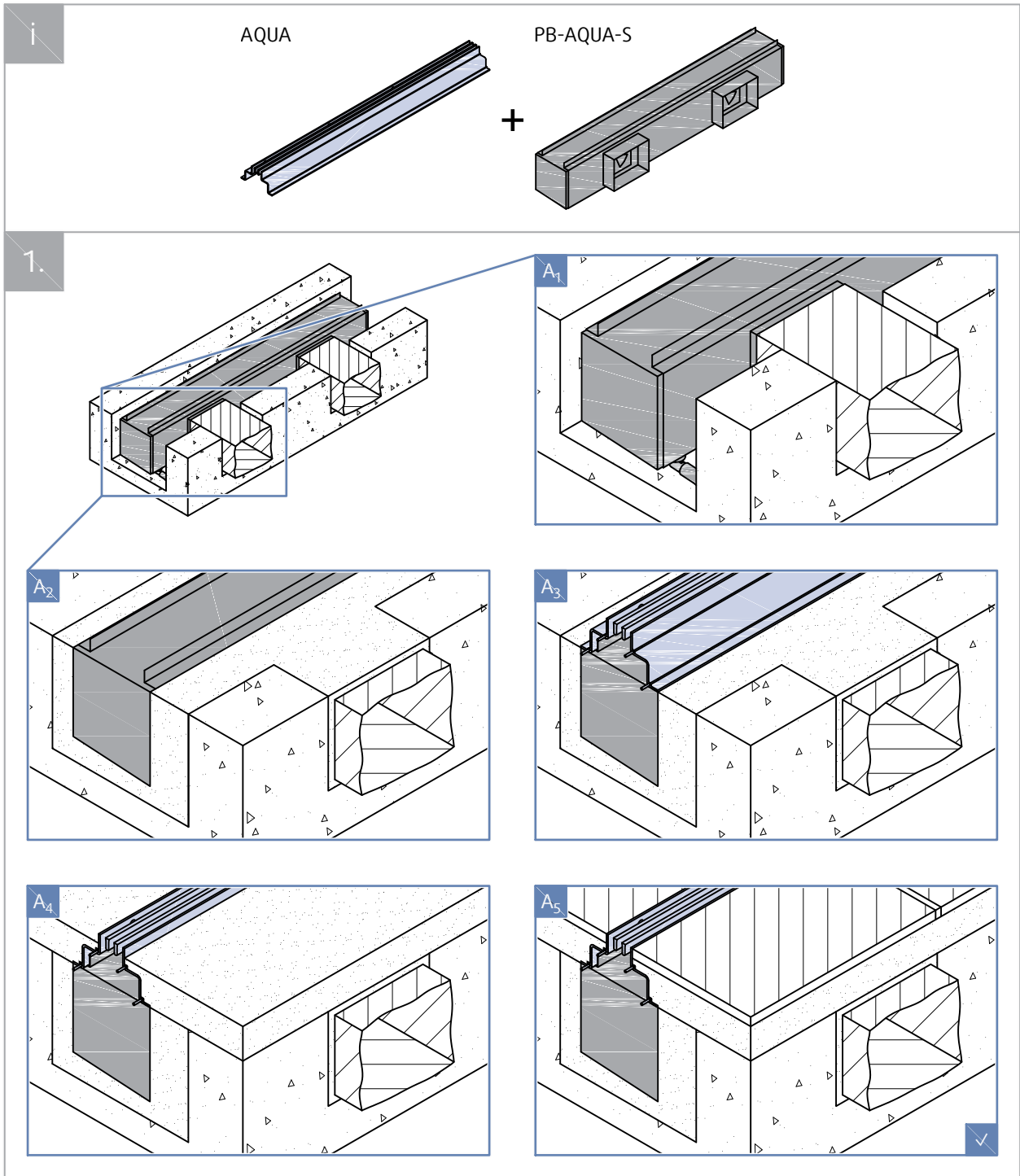
Installation

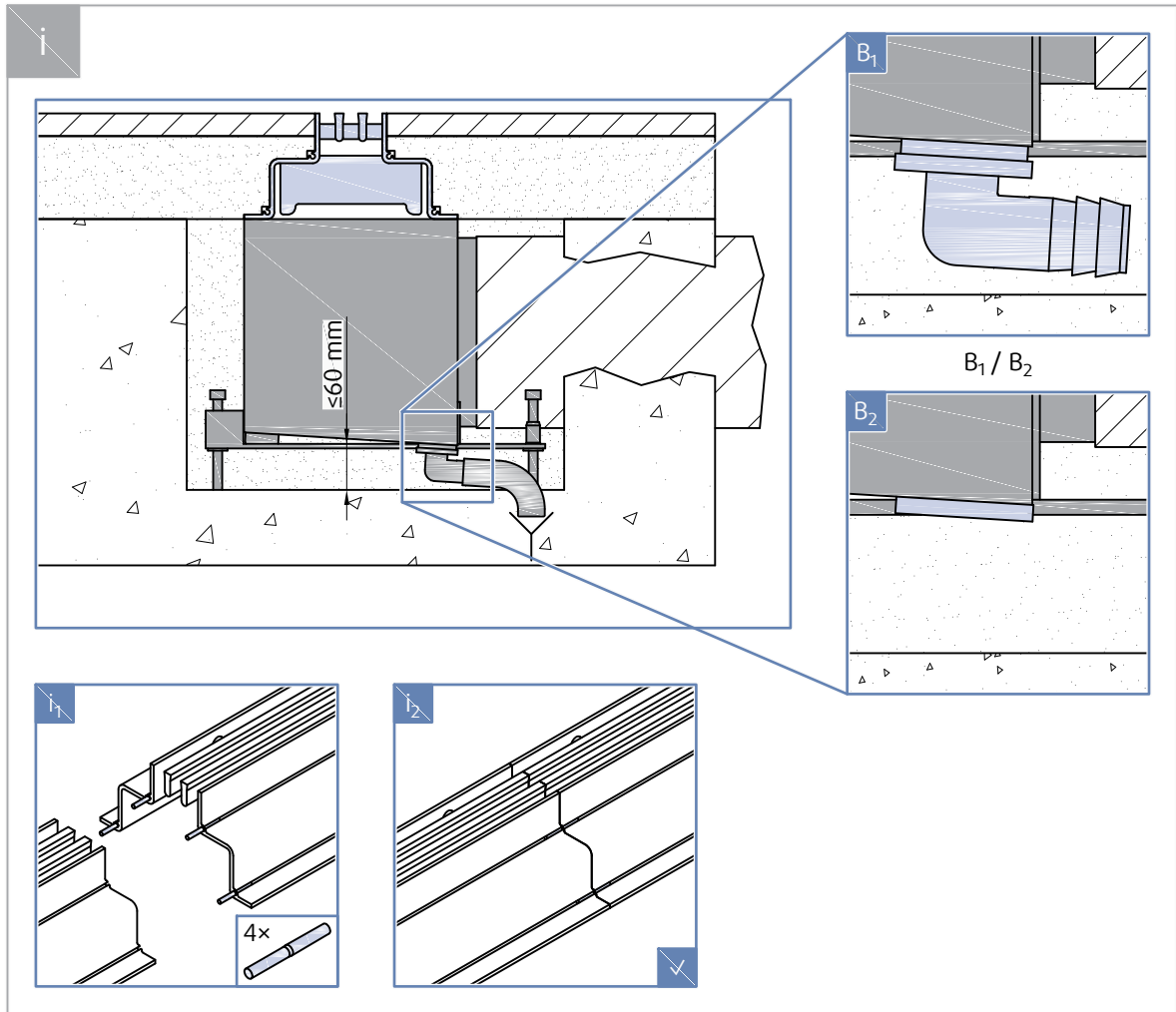




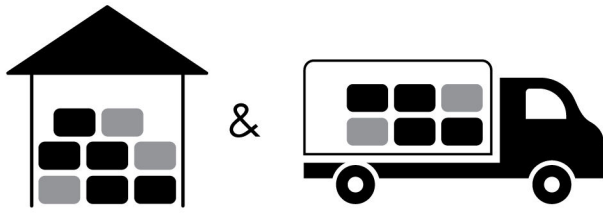
i








Transport, Storage and Operation




 °C -40°C ... +50°C

 % ≤ 95%



 °C -20°C ... +70°C

 % ≤ 95%

Supplement

Any deviations from the technical specifications contained herein and the terms should be discussed with the manufacturer. We reserve the right to make any changes to the product without prior notice, provided that these changes do not affect the quality of the product and the required parameters.

Current information on all products is available on design.systemair.com.

