

# SAVE VTR 250/B ceiling mounting kit

Installation instructions

GB

Document in original language | 211891 · A001





# Contents

1	Warnings.....	1
2	Included screws and washers.....	1
3	Dimensions (mm).....	1
4	Installation options .....	2
4.1	Fitting with battens.....	2
4.2	Fitting to concrete with threaded rods (accessory, art. no. 134014).....	3
4.3	Fitting with anti-vibration mount (accessory, art. no. 134009).....	4
5	Mounting the unit.....	5



## 1 Warnings



### Warning

- Consider the unit weight when mounting!

### Important

- Beware of sharp edges during mounting and maintenance. Use protective gloves.
- This product must only be operated by a person which has suitable knowledge or education within this field or carried out with the supervision of a suitably qualified person.
- If cooker hood option is not used, cover the cooker hood duct with an outside fitting end cap.

## 2 Included screws and washers

A

8x Hexagon head tapping screw  
(5,5 x 38)



B

8x M6 washer



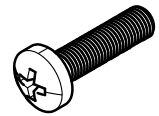
C

10x M5 washer

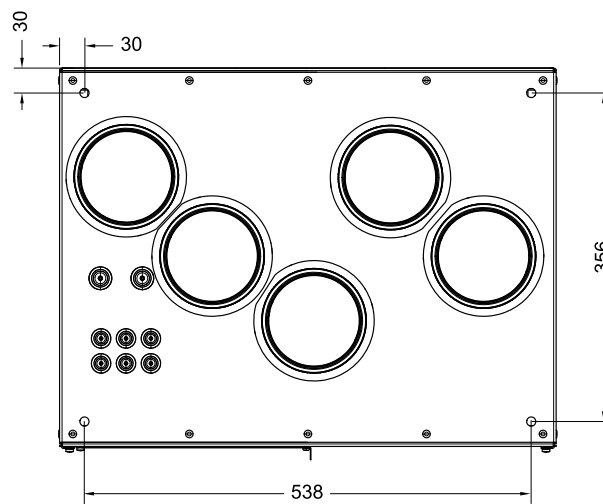
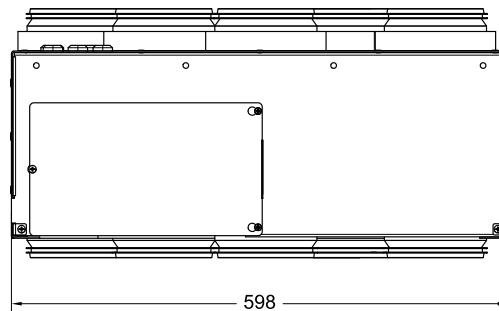
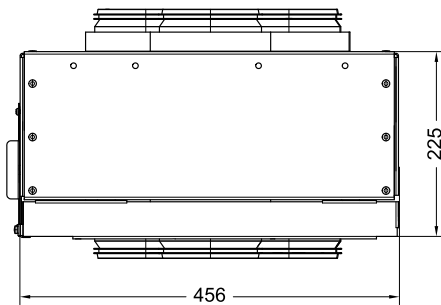


D

10x M5

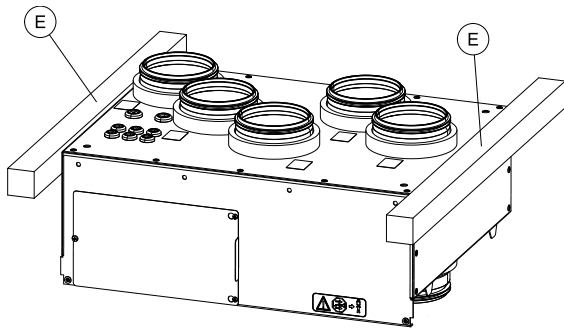


## 3 Dimensions (mm)



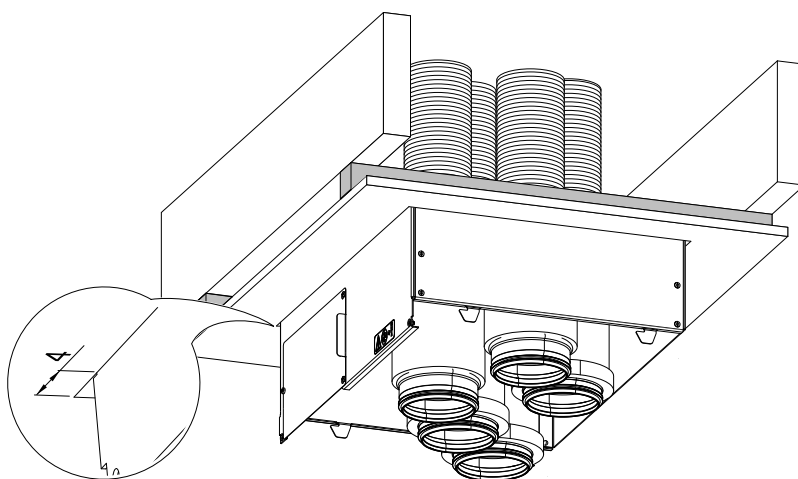
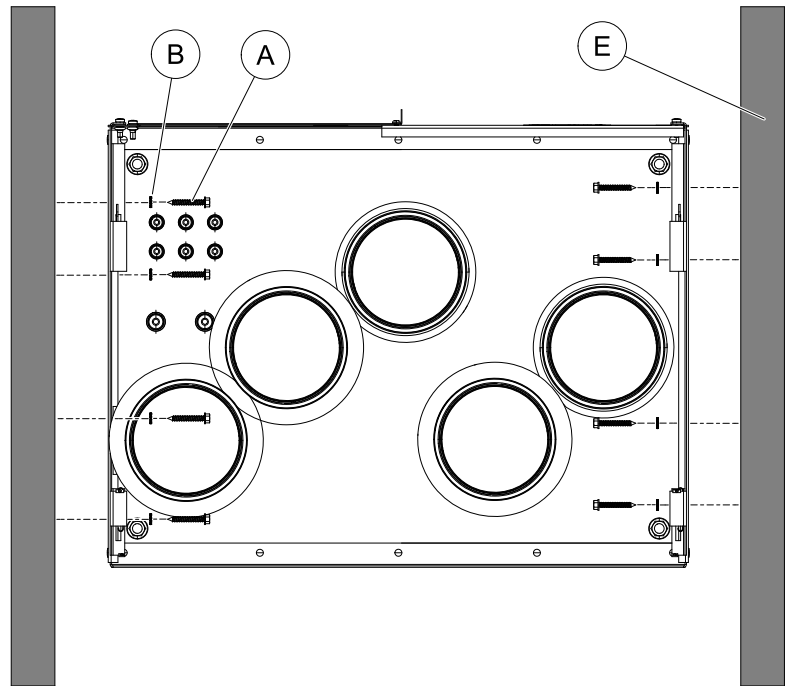
## 4 Installation options

### 4.1 Fitting with battens



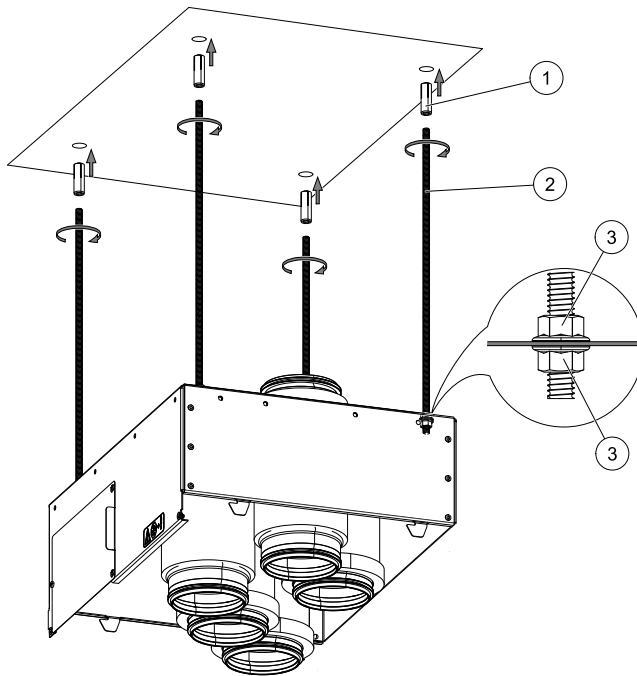
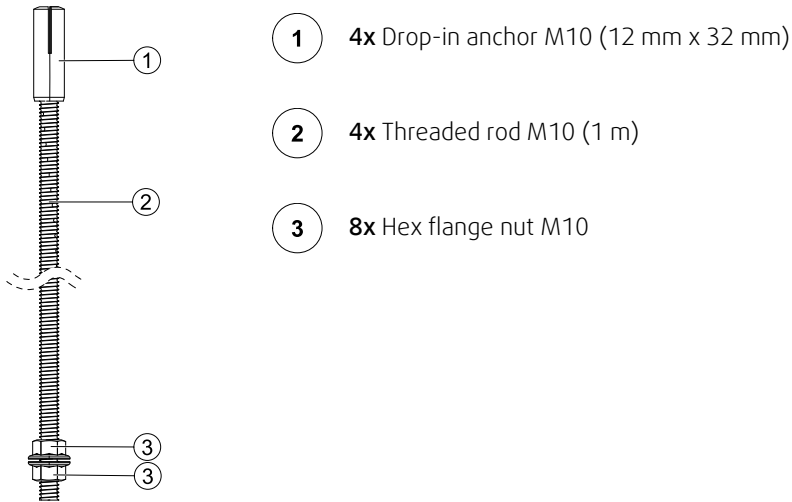
**E** 2x Batten (minimum 45 x 45 mm)

Battens (E) should be tightened to the ceiling mounting kit from inside. Battens can be attached from the front and the rear or from both sides with added self-tapping screws (A) and washers (B).

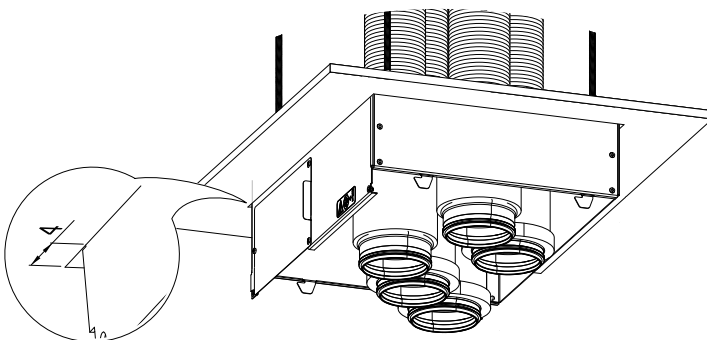


Tighten battens with a ceiling mounting kit to the main ceiling. These screws are not included. Choose them based on your ceiling structure. Leave at least a 4 mm gap between ceiling mounting kit and false ceiling to prevent vibration noises.

## 4.2 Fitting to concrete with threaded rods (accessory, art. no. 134014)

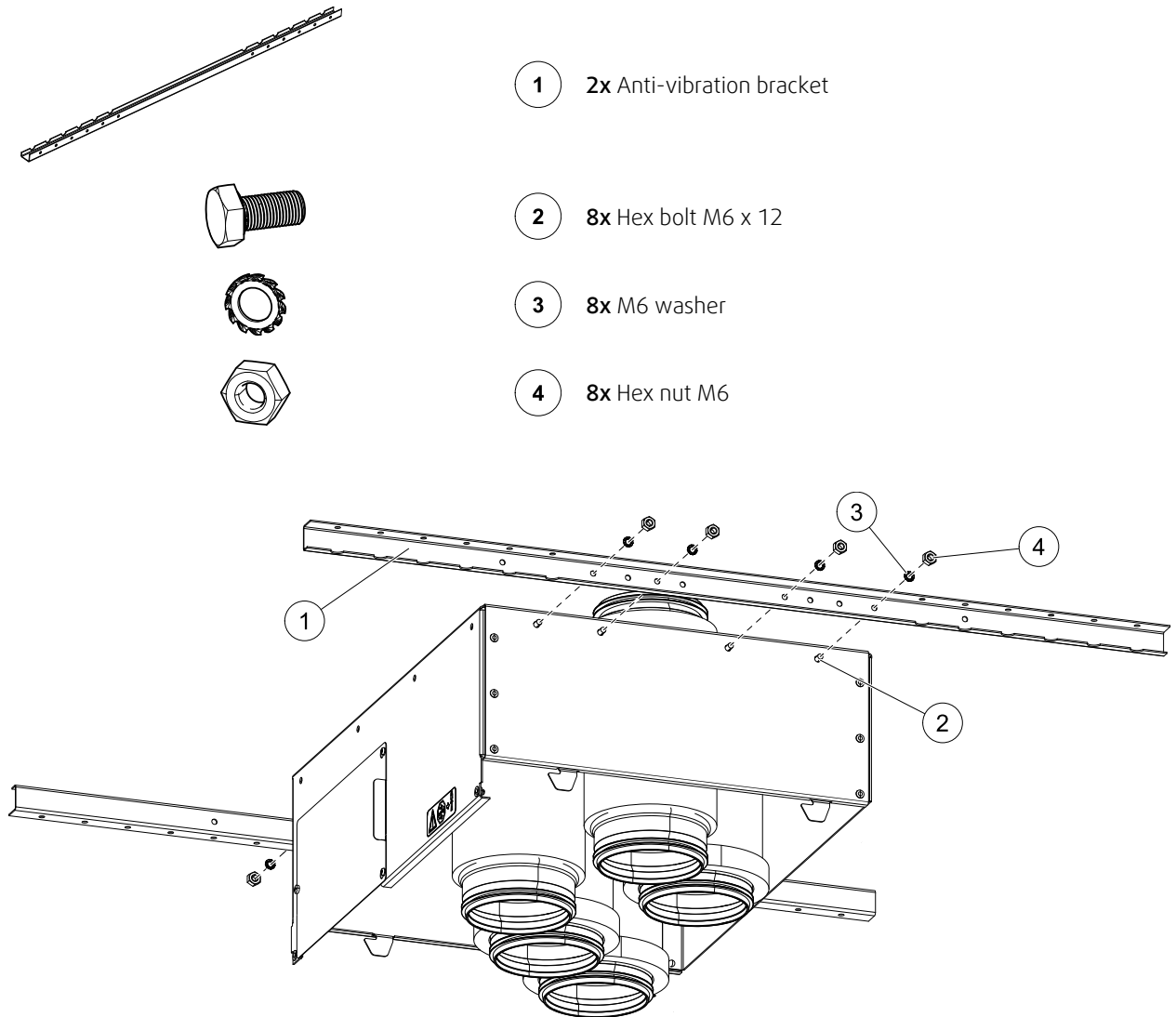


Use a 12 mm drill to make 4 holes in the ceiling with a depth of 40 mm. Distance between holes is shown in dimensions drawing. Install drop-in anchors (1) and attach threaded rods (2). Use hex flange nuts (3) to mount ceiling mounting kit on threaded rods.

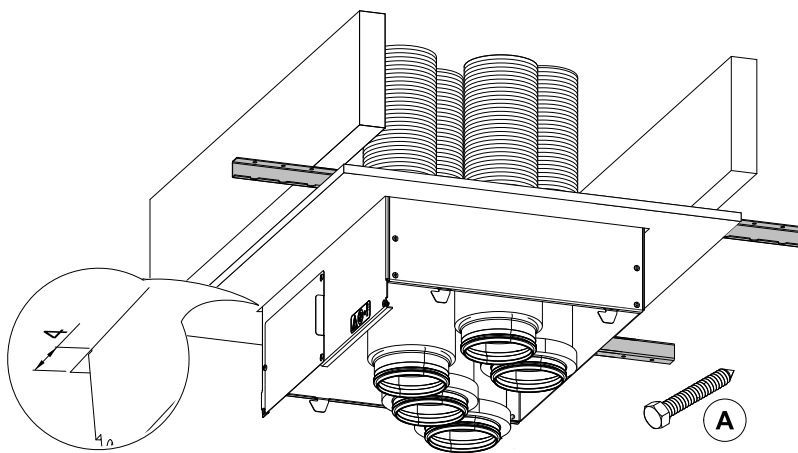


Leave at least a 4 mm gap between ceiling mounting kit and false ceiling to prevent vibration noises.

### 4.3 Fitting with anti-vibration mount (accessory, art. no. 134009)



Anti-vibration brackets (1) should be tightened to the ceiling mounting kit from the front and the rear or from both sides with added hex bolts (2) then tightened with washers (3) and hex nuts (4) as shown in the illustration.



Tighten anti-vibration brackets with the ceiling mounting kit to the main ceiling. Choose screws based on your ceiling structure. Included screws (A) can be used. Leave at least a 4 mm gap between ceiling mounting kit and false ceiling to prevent vibration noises.



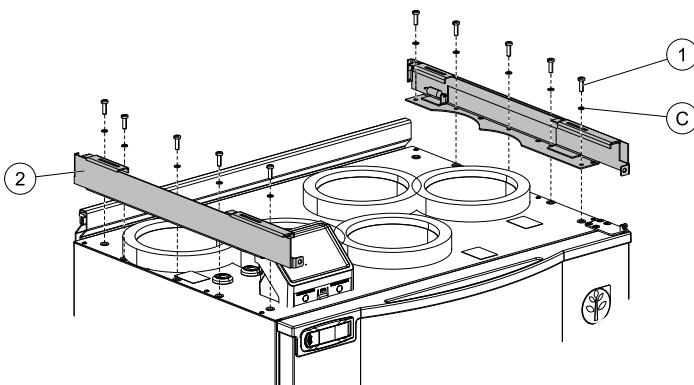
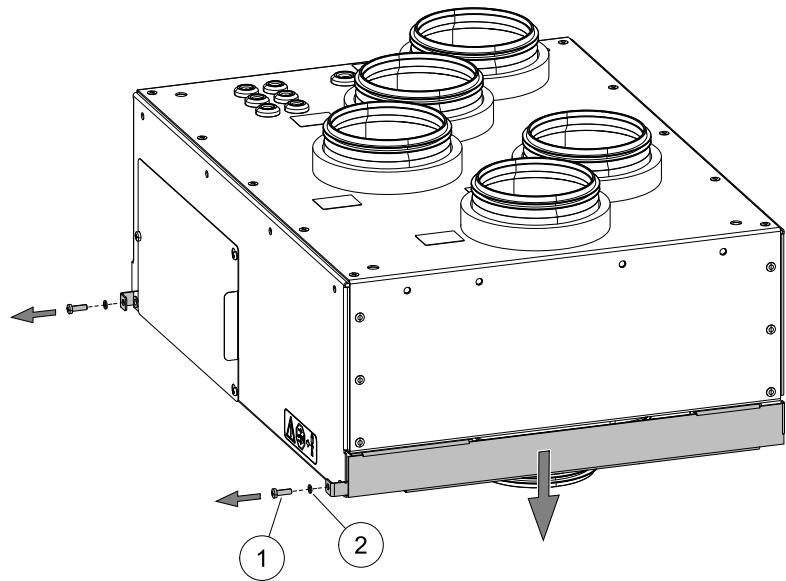
## 5 Mounting the unit

### Important

If cooker hood option is not used, cover the cooker hood duct with an outside fitting end cap.

Remove screw (1) and washer (2) then pull a lock mechanism to detach side bracket. Repeat this step for the other bracket.

Keep removed screws and washers for later use as they will be needed to tighten lock mechanisms back.



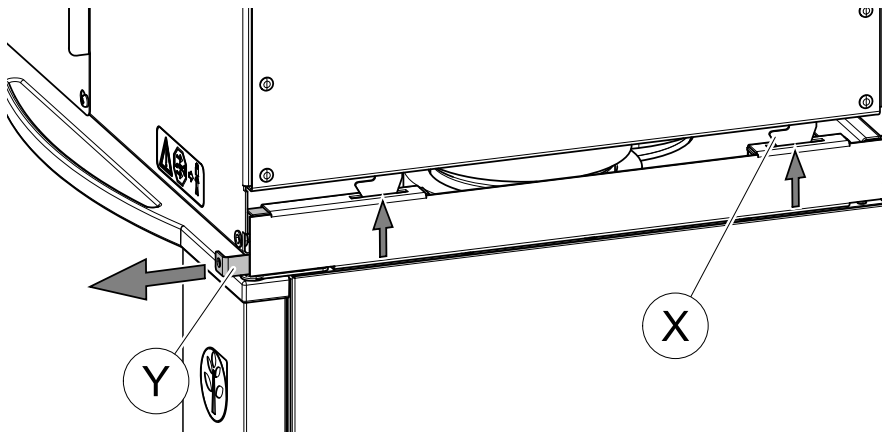
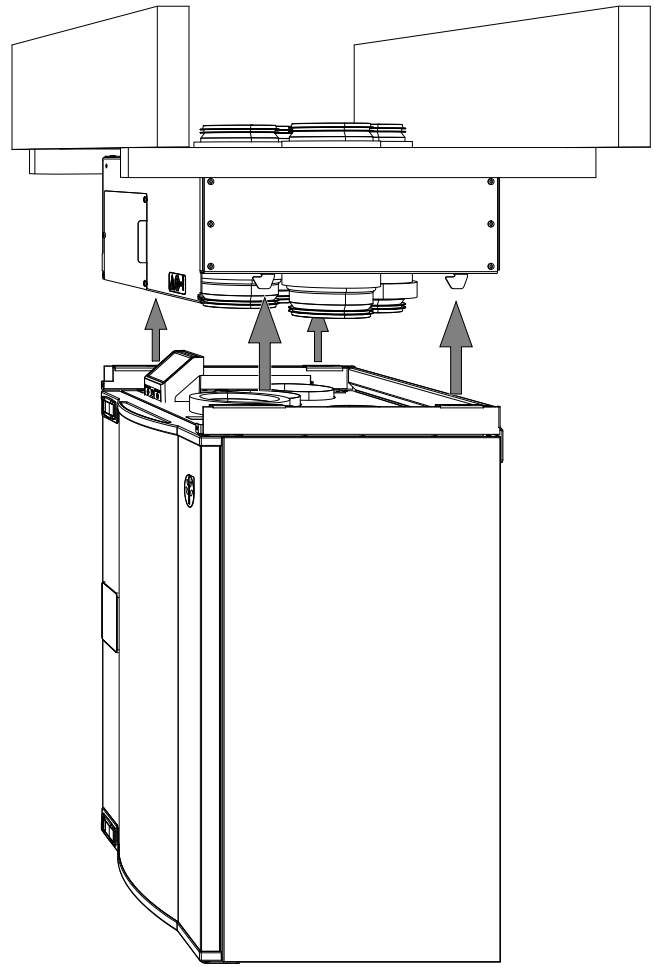
Loosen ten M5 screws (1) on both sides of the unit. Attach side brackets (2) that came with ceiling mounting kit and secure them with the same screws (1) and M5 washers (C) that are included in the accessory. Spare M5 screws (D) are also included in the accessory if needed.



**Warning**

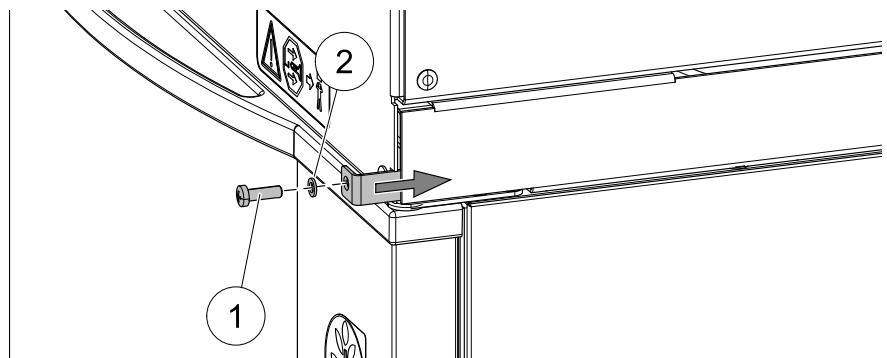
Consider the weight of the unit when mounting!

Before lifting and hanging the unit make sure that all accessories are installed and cables are lead through the holes on top of ceiling mount kit for easy connection to the connection box which is located on top of the unit. Lift the unit and press it to the ceiling mounting kit.



Lock hooks (X) should go through holes in brackets. Pull out the lock mechanism (Y) if needed.

Tighten the locking mechanism on both sides using previously removed M4 screws (1) and washers (2).







Systemair UAB  
Ling st. 101  
LT-20174 Ukmergė, LITHUANIA

Phone +370 340 60165  
Fax +370 340 60166

[www.systemair.com](http://www.systemair.com)